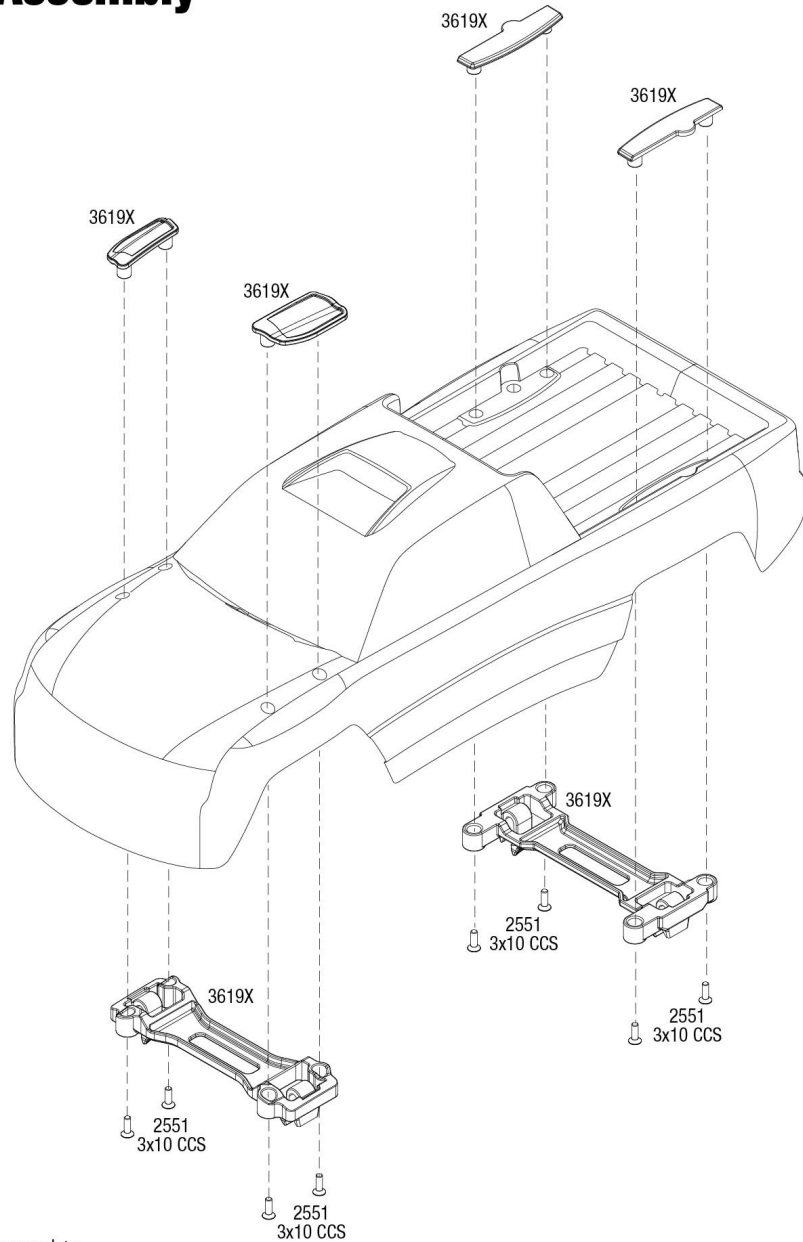


STAMPEDE

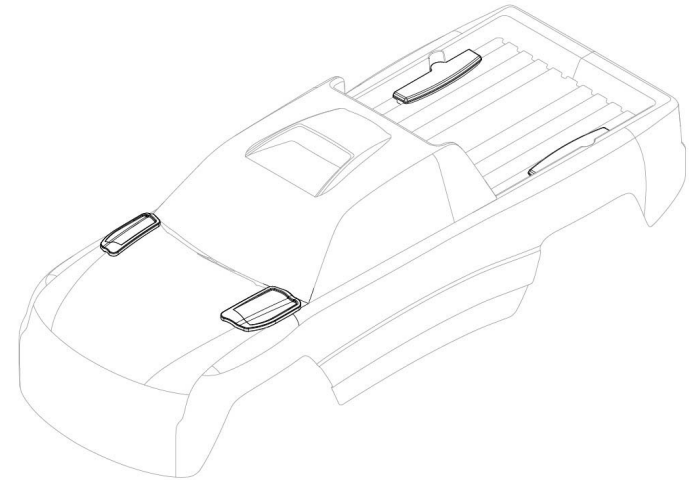
Body Assembly



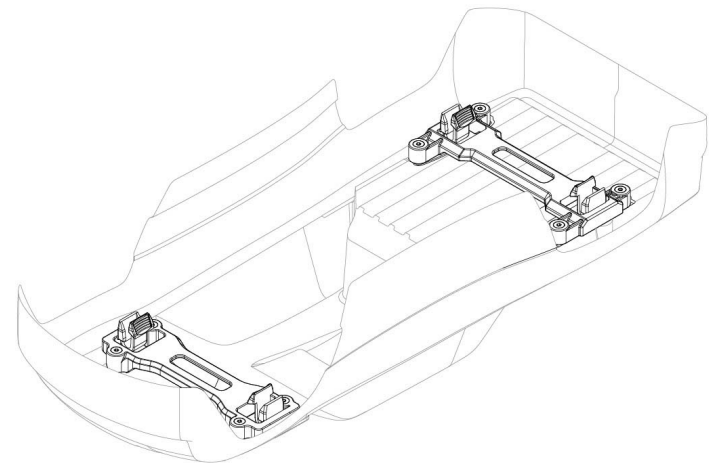
- 3620A-BLUE
- 3620A-GRN
- 3620A-PINK
- 3620A-RED
- 3620-BLUE opt.
- 3620-GRN opt.
- 3620-PINK opt.
- 3620-RED opt.
- 6729L opt.
- 3617 opt.

See Parts List for a complete listing of optional accessories.

Completed Assembly (view from top)



Completed Assembly (view from bottom)

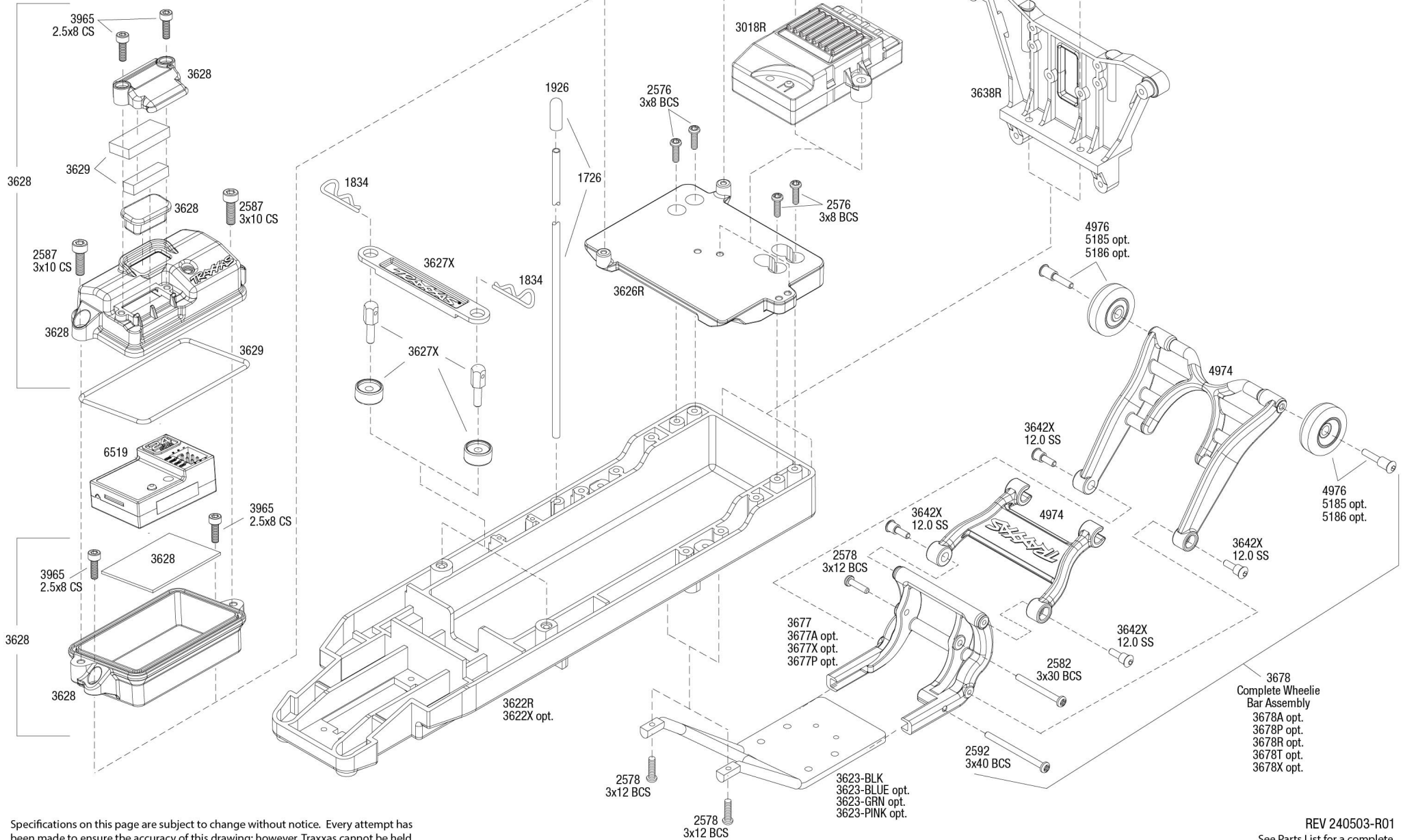


REV 240503-R01



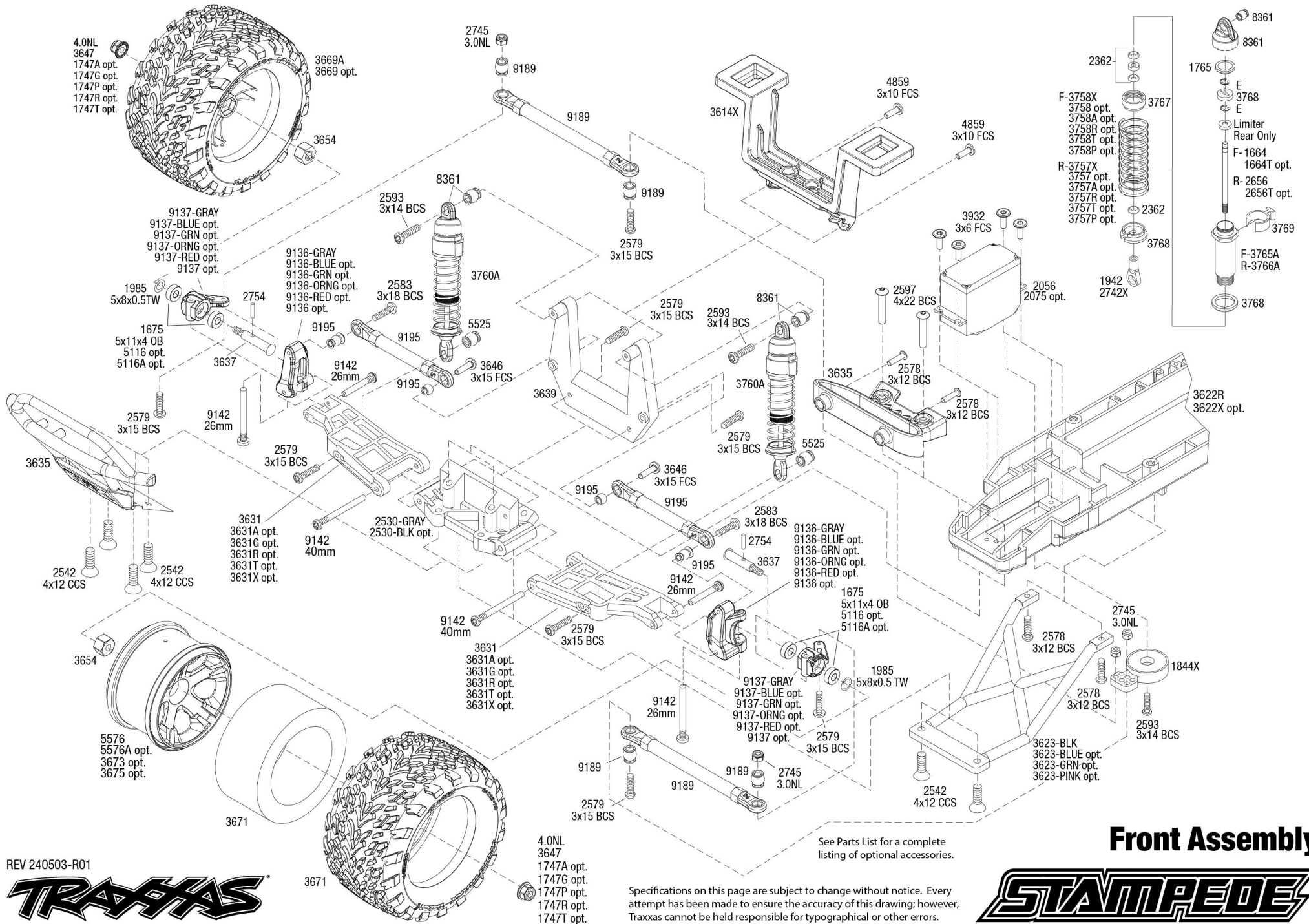
Specifications on this page are subject to change without notice. Every attempt has been made to ensure the accuracy of this drawing; however, Traxxas cannot be held responsible for typographical or other errors.

Chassis Assembly



Specifications on this page are subject to change without notice. Every attempt has been made to ensure the accuracy of this drawing; however, Traxxas cannot be held responsible for typographical or other errors.

REV 240503-R01
See Parts List for a complete listing of optional accessories.



REV 240503-R01



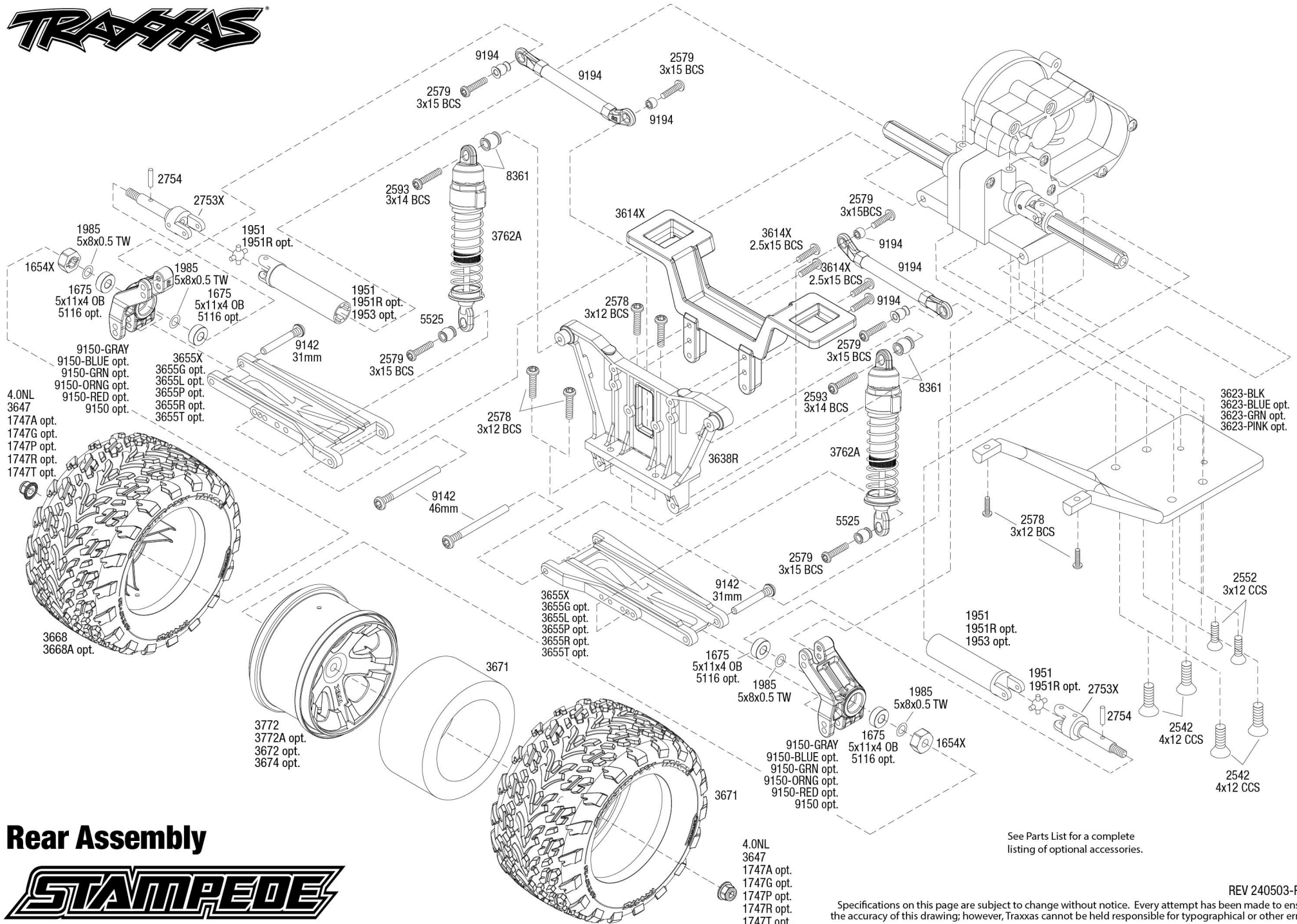
4.0NL
3647
1747A opt.
1747G opt.
1747P opt.
1747R opt.
1747T opt.

See Parts List for a complete listing of optional accessories.

Specifications on this page are subject to change without notice. Every attempt has been made to ensure the accuracy of this drawing; however, Traxxas cannot be held responsible for typographical or other errors.

Front Assembly





Rear Assembly



See Parts List for a complete listing of optional accessories.

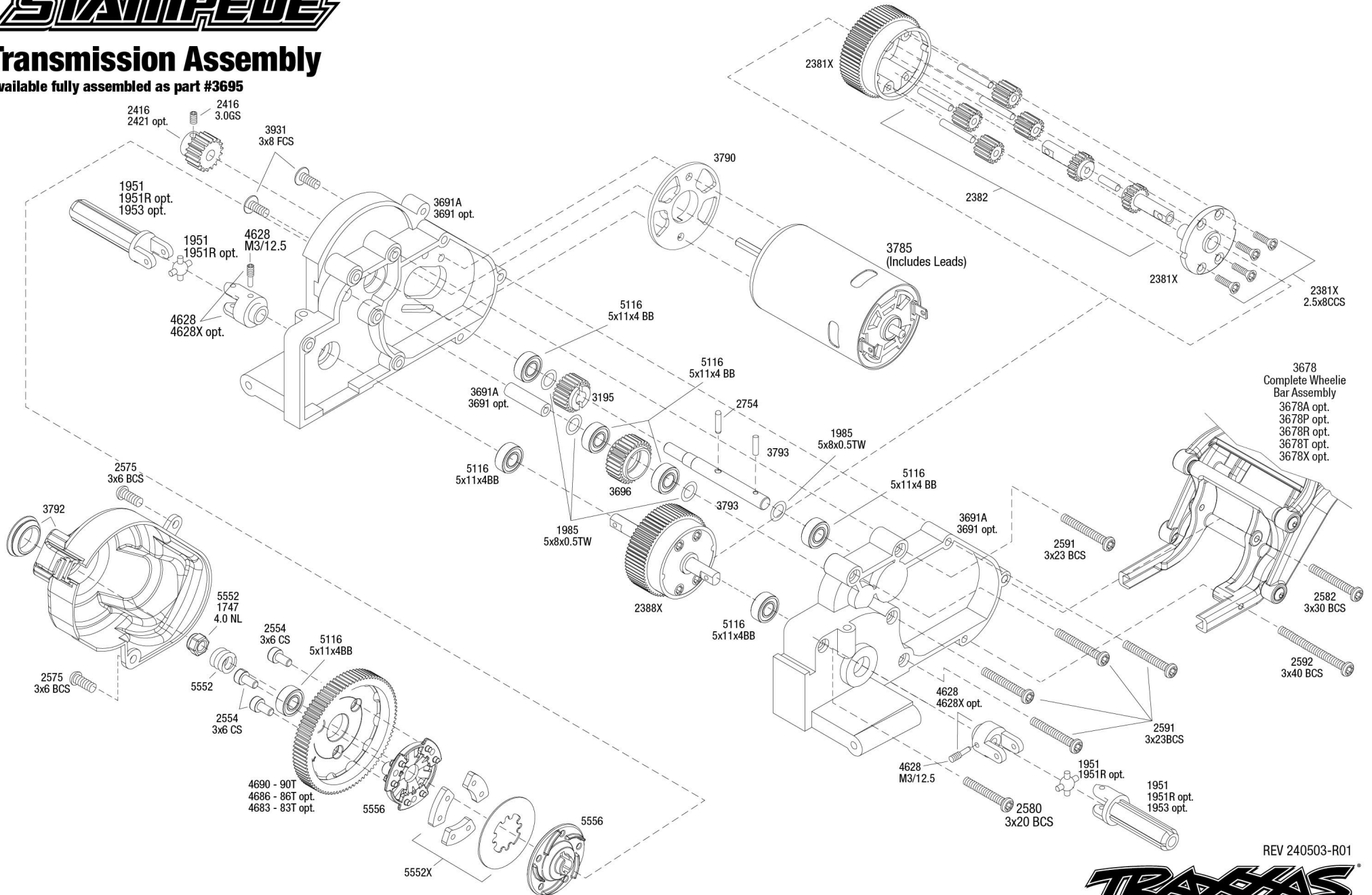
Specifications on this page are subject to change without notice. Every attempt has been made to ensure the accuracy of this drawing; however, Traxxas cannot be held responsible for typographical or other errors.

REV 240503-R01



Transmission Assembly

Available fully assembled as part #3695



See Parts List for a complete listing of optional accessories.

Specifications on this page are subject to change without notice. Every attempt has been made to ensure the accuracy of this drawing; however, Traxxas cannot be held responsible for typographical or other errors.

REV 240503-R01

