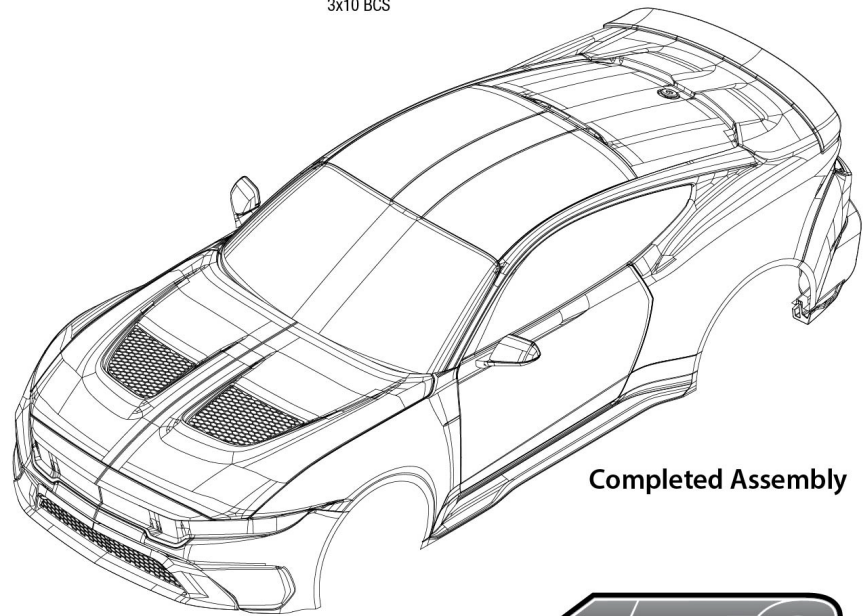
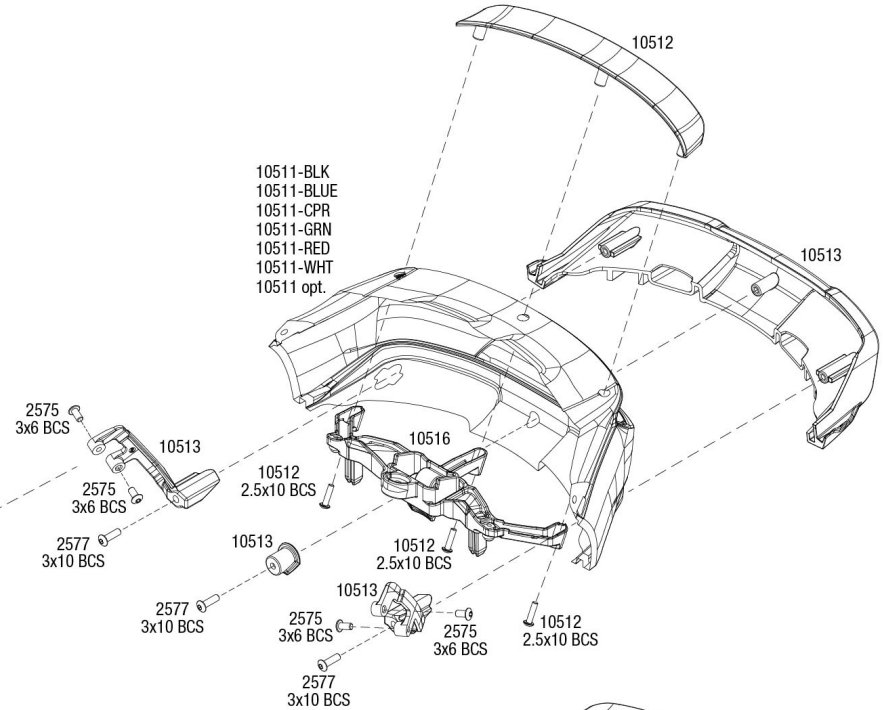
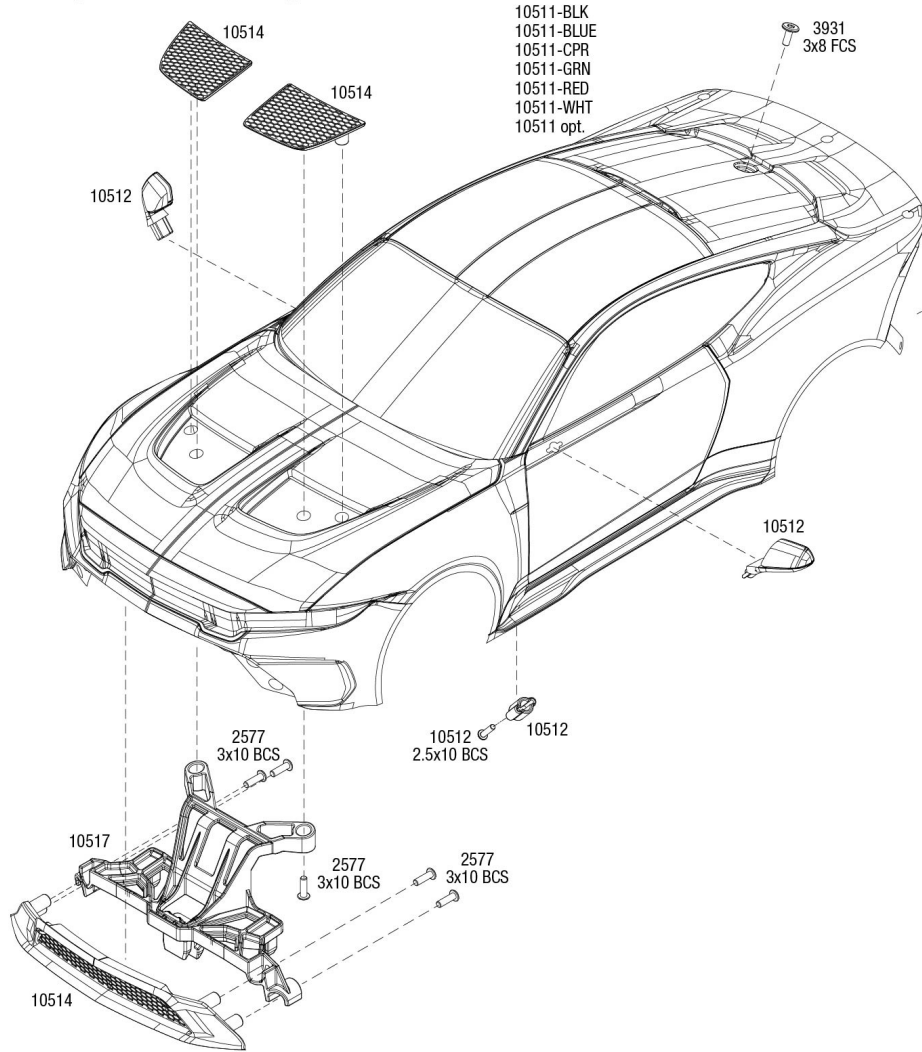




# MUSTANG

## Body Assembly



REV 240716-R01



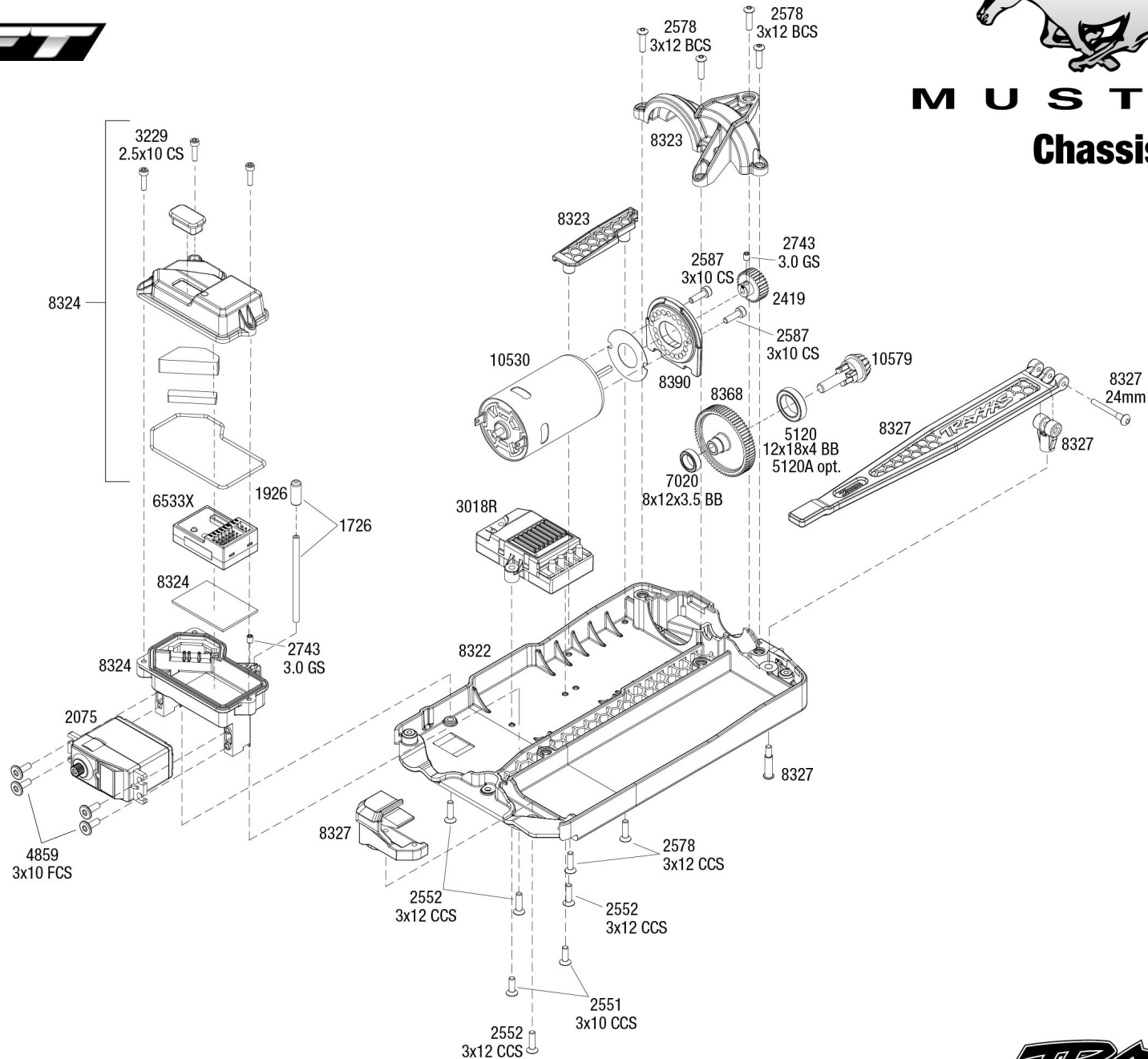
Specifications on this page are subject to change without notice. Every attempt has been made to ensure the accuracy of this drawing; however, Traxxas cannot be held responsible for typographical or other errors.

See Parts List for a complete listing of optional accessories.





## MUSTANG Chassis Assembly

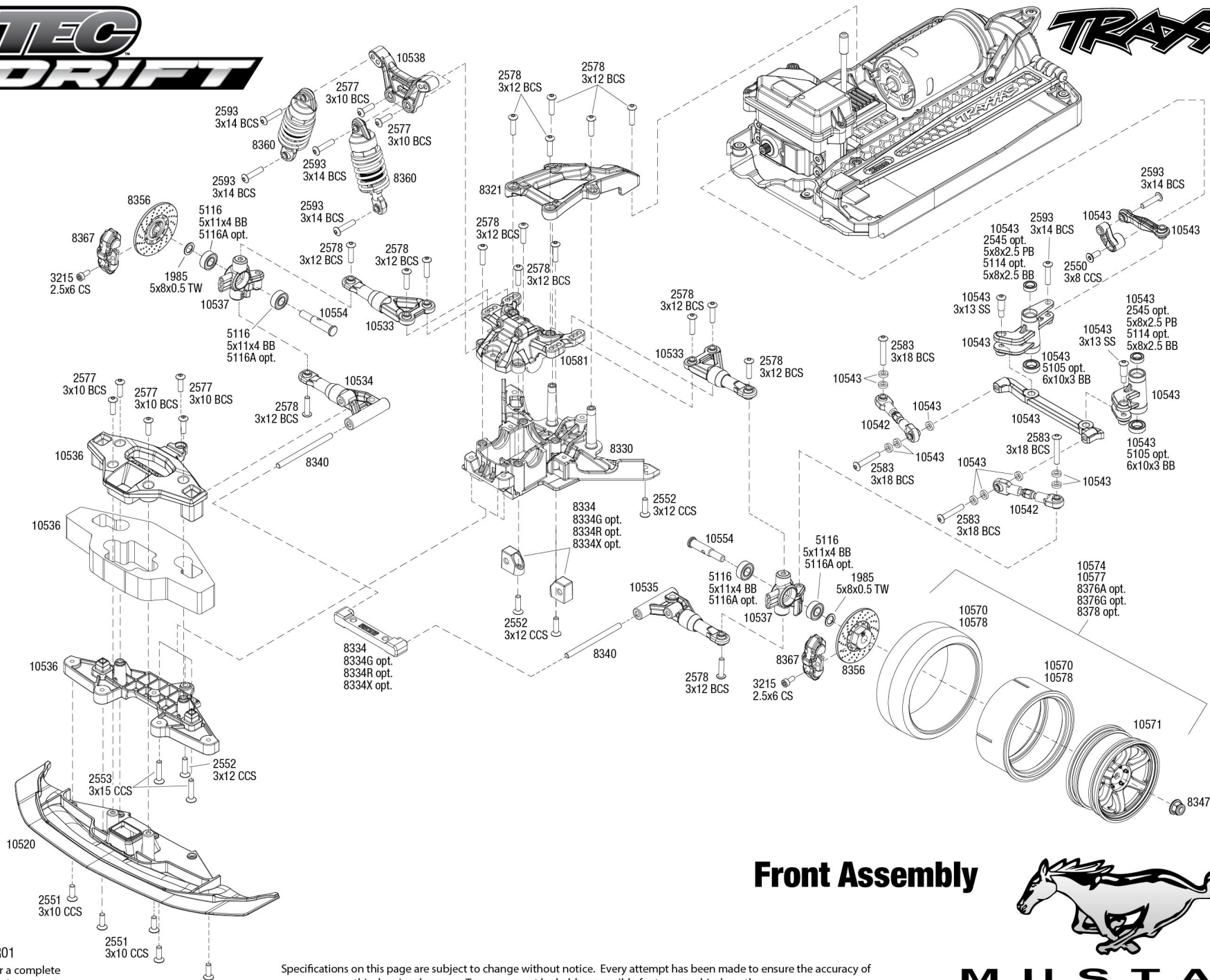


See Parts List for a complete listing of optional accessories.

Specifications on this page are subject to change without notice. Every attempt has been made to ensure the accuracy of this drawing; however, Traxxas cannot be held responsible for typographical or other errors.

REV 240716-R01

# TRAXXAS



## Front Assembly



# M U S T A N G

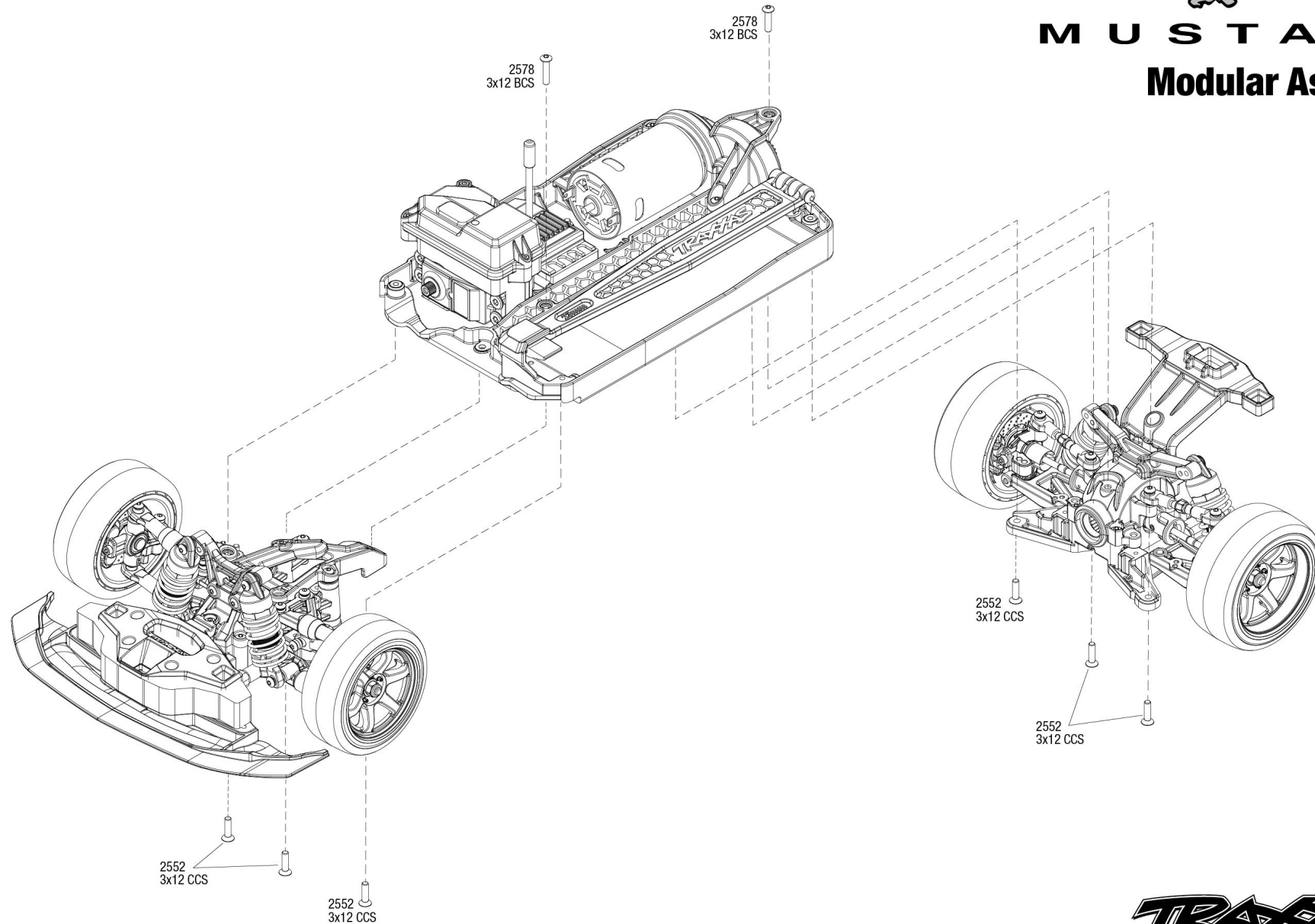
REV 240716-R01  
See Parts List for a complete listing of optional accessories.

Specifications on this page are subject to change without notice. Every attempt has been made to ensure the accuracy of this drawing; however, Traxxas cannot be held responsible for typographical or other errors.

# 4TEC DRIFT



## M U S T A N G Modular Assembly



See Parts List for a complete listing of optional accessories.

REV 240716-R01

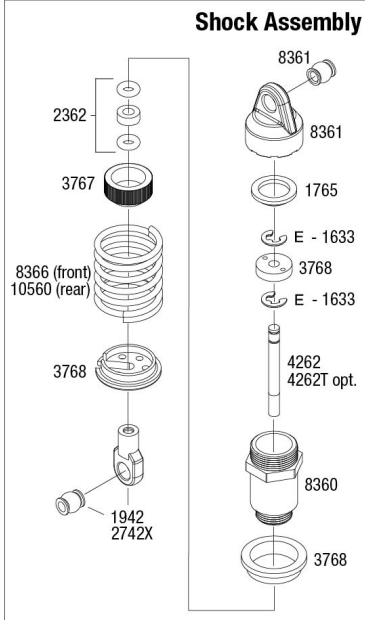
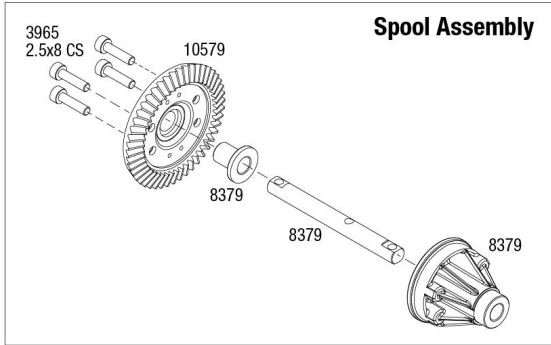
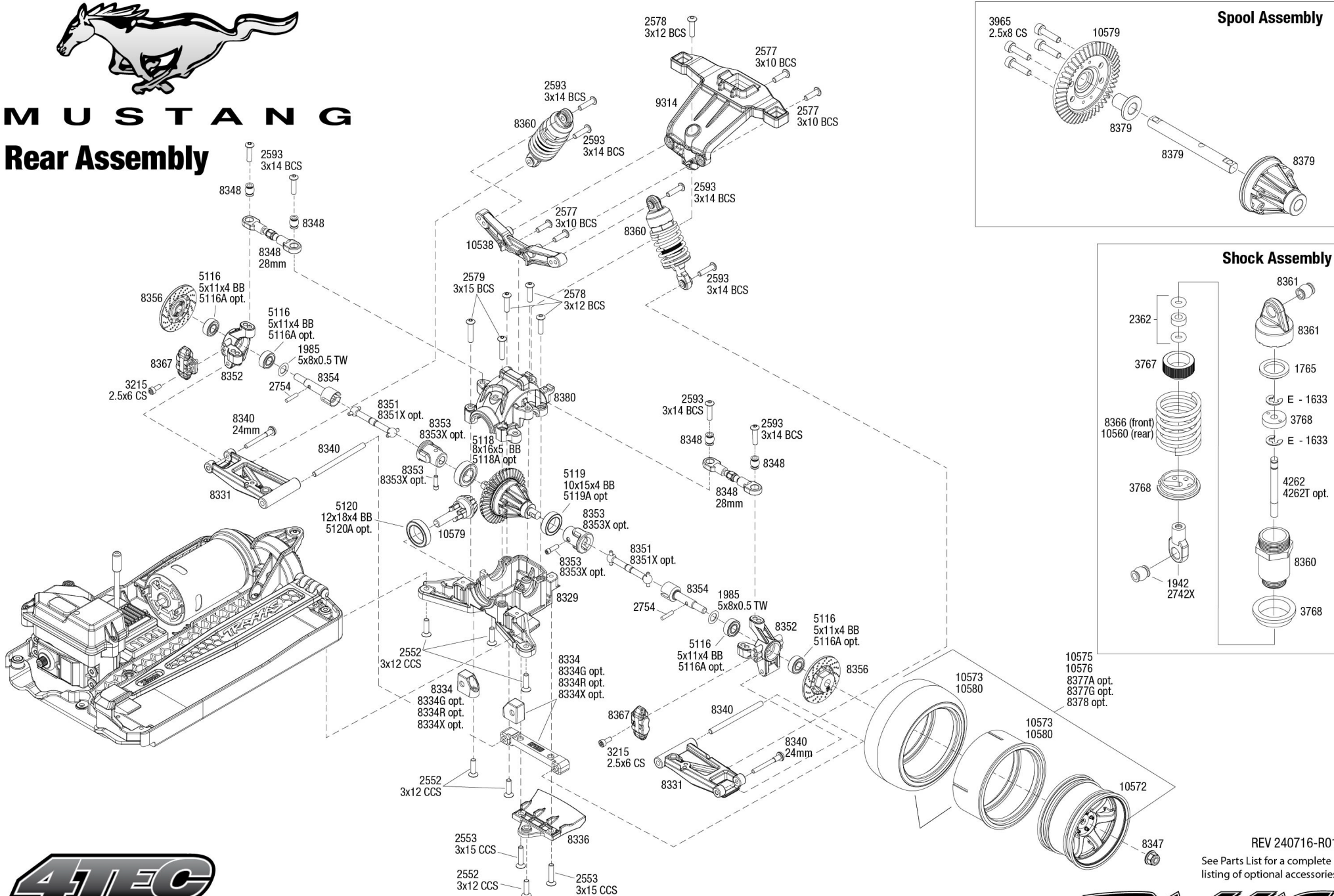
# TRAXXAS

Specifications on this page are subject to change without notice. Every attempt has been made to ensure the accuracy of this drawing; however, Traxxas cannot be held responsible for typographical or other errors.



# MUSTANG

## Rear Assembly



Specifications on this page are subject to change without notice. Every attempt has been made to ensure the accuracy of this drawing; however, Traxxas cannot be held responsible for typographical or other errors.



REV 240716-R01  
See Parts List for a complete listing of optional accessories.