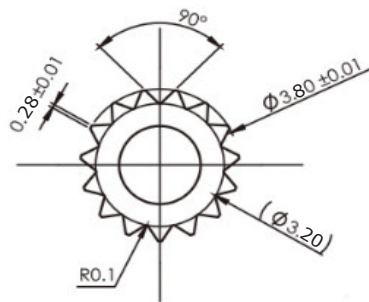
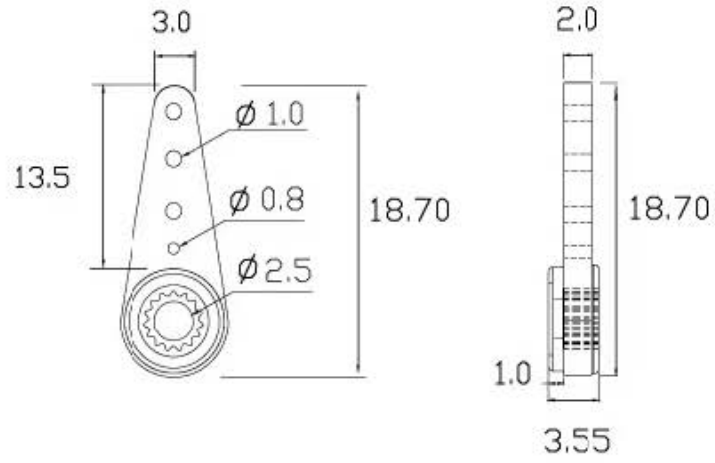


15T-Aul-arm-01:



output shaft spline 15T $\phi 3.8$ mm