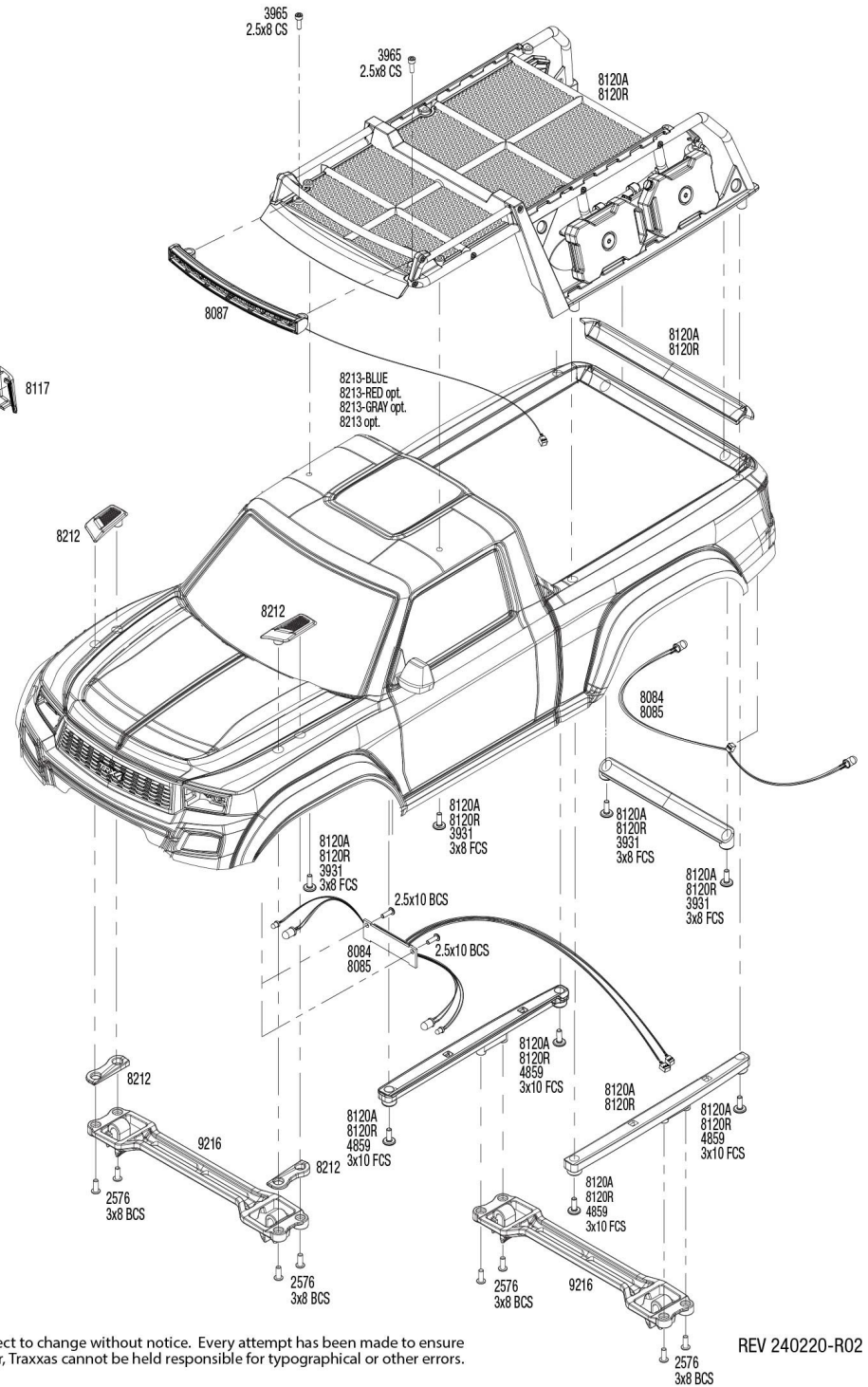
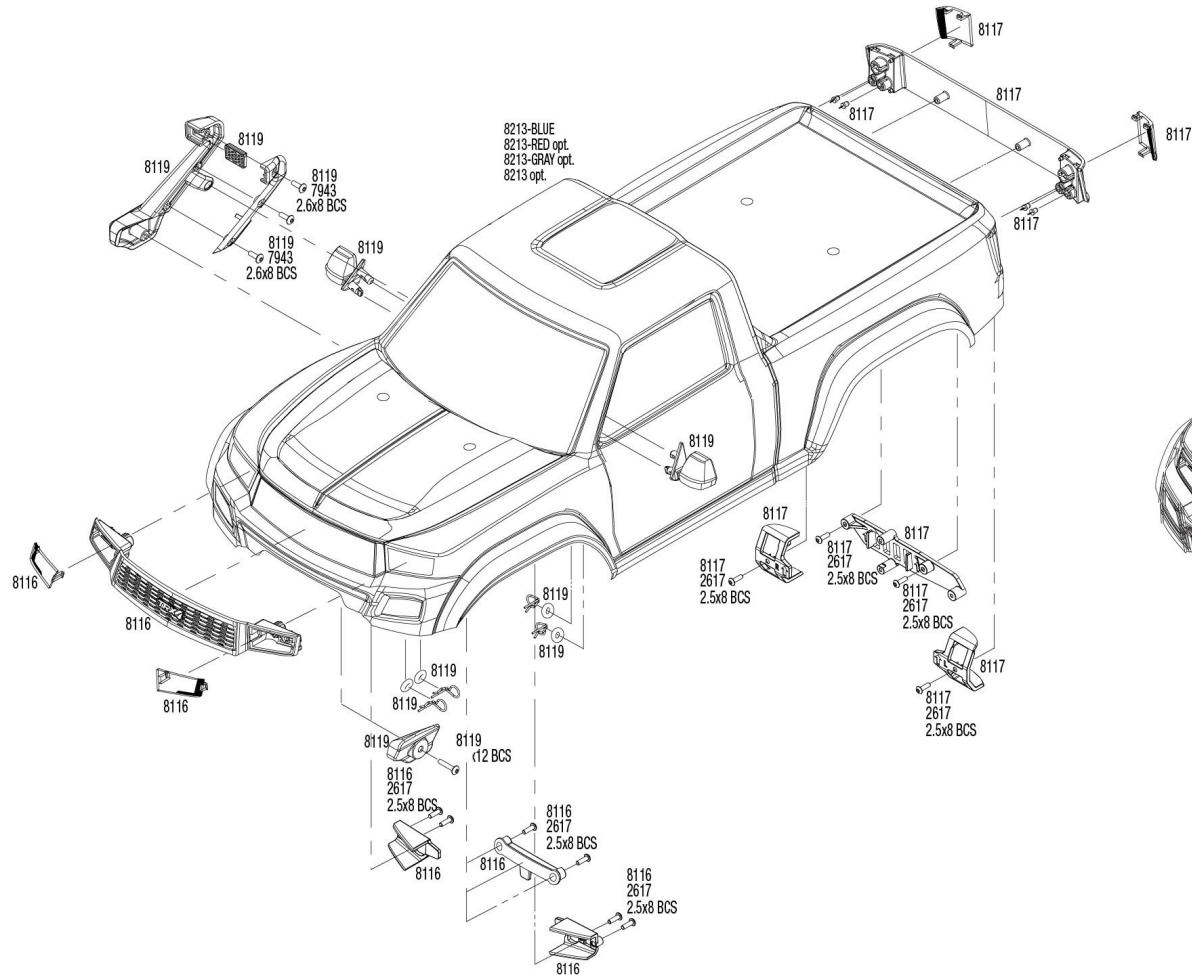




# Body Assembly



See Parts List for a complete listing of optional accessories.

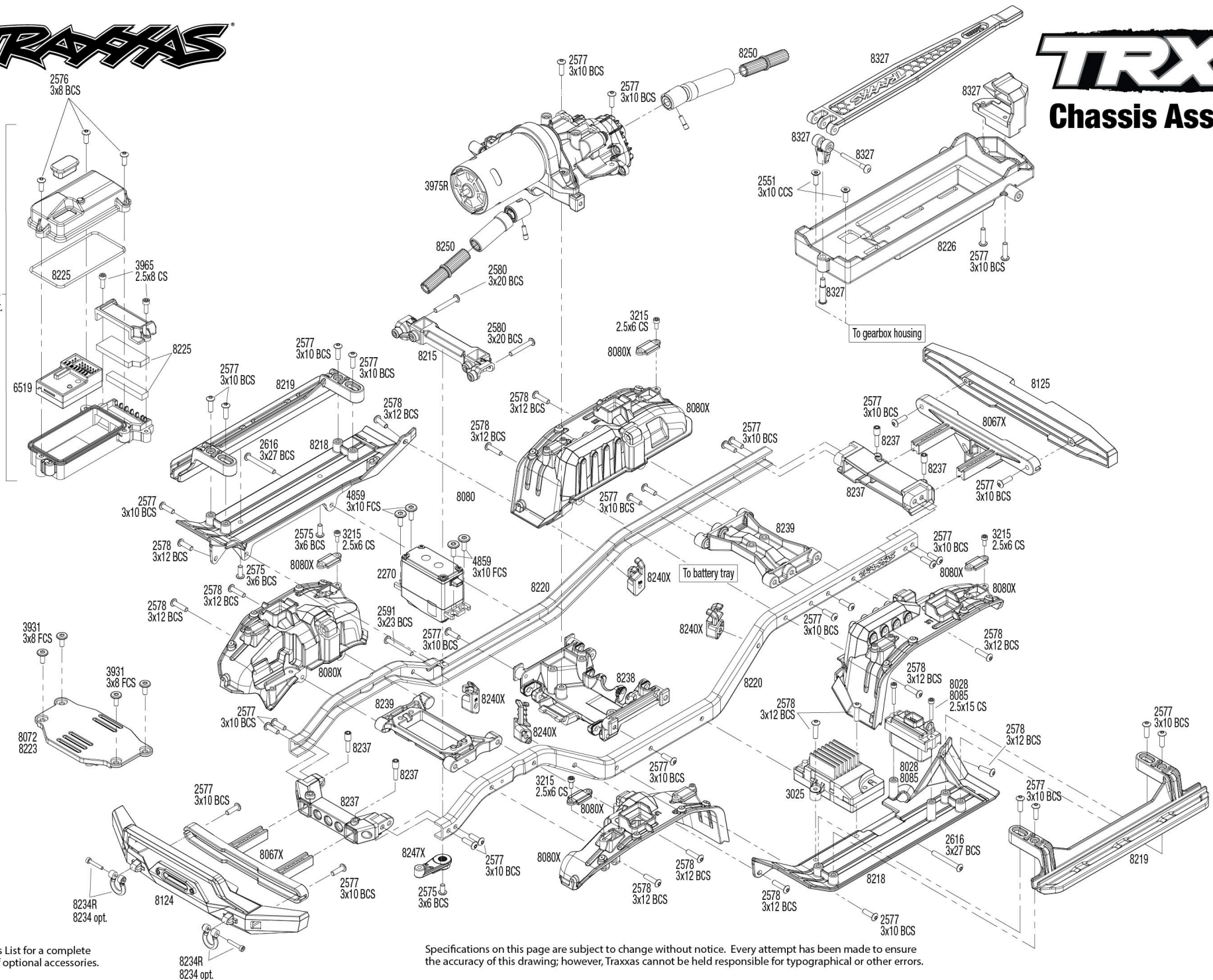
Specifications on this page are subject to change without notice. Every attempt has been made to ensure the accuracy of this drawing; however, Traxxas cannot be held responsible for typographical or other errors.

REV 240220-R02



# TRX4 Chassis Assembly

8224  
8224X opt.

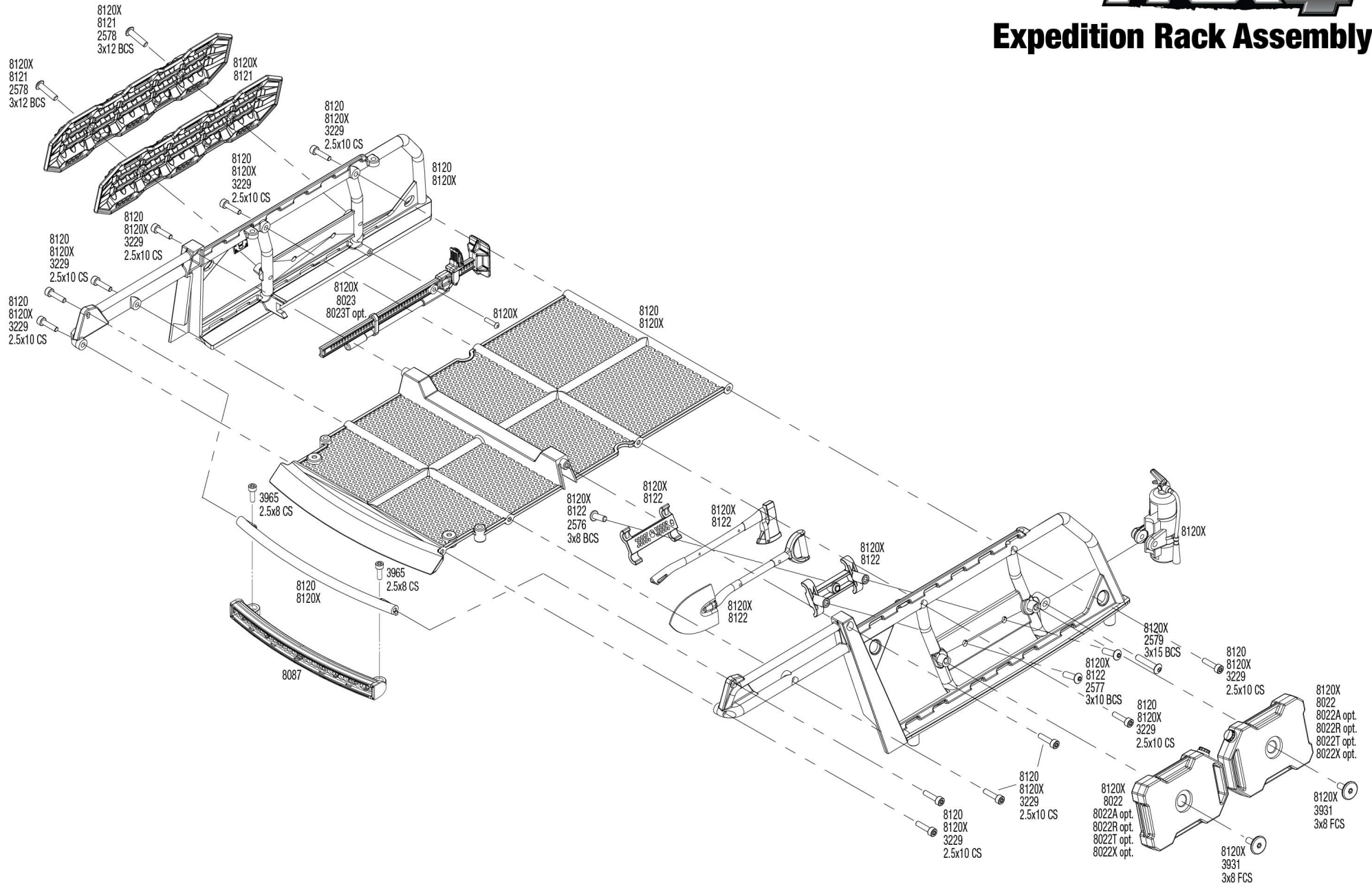


See Parts List for a complete listing of optional accessories.

Specifications on this page are subject to change without notice. Every attempt has been made to ensure the accuracy of this drawing; however, Traxxas cannot be held responsible for typographical or other errors.

REV 240220-R02

## Expedition Rack Assembly

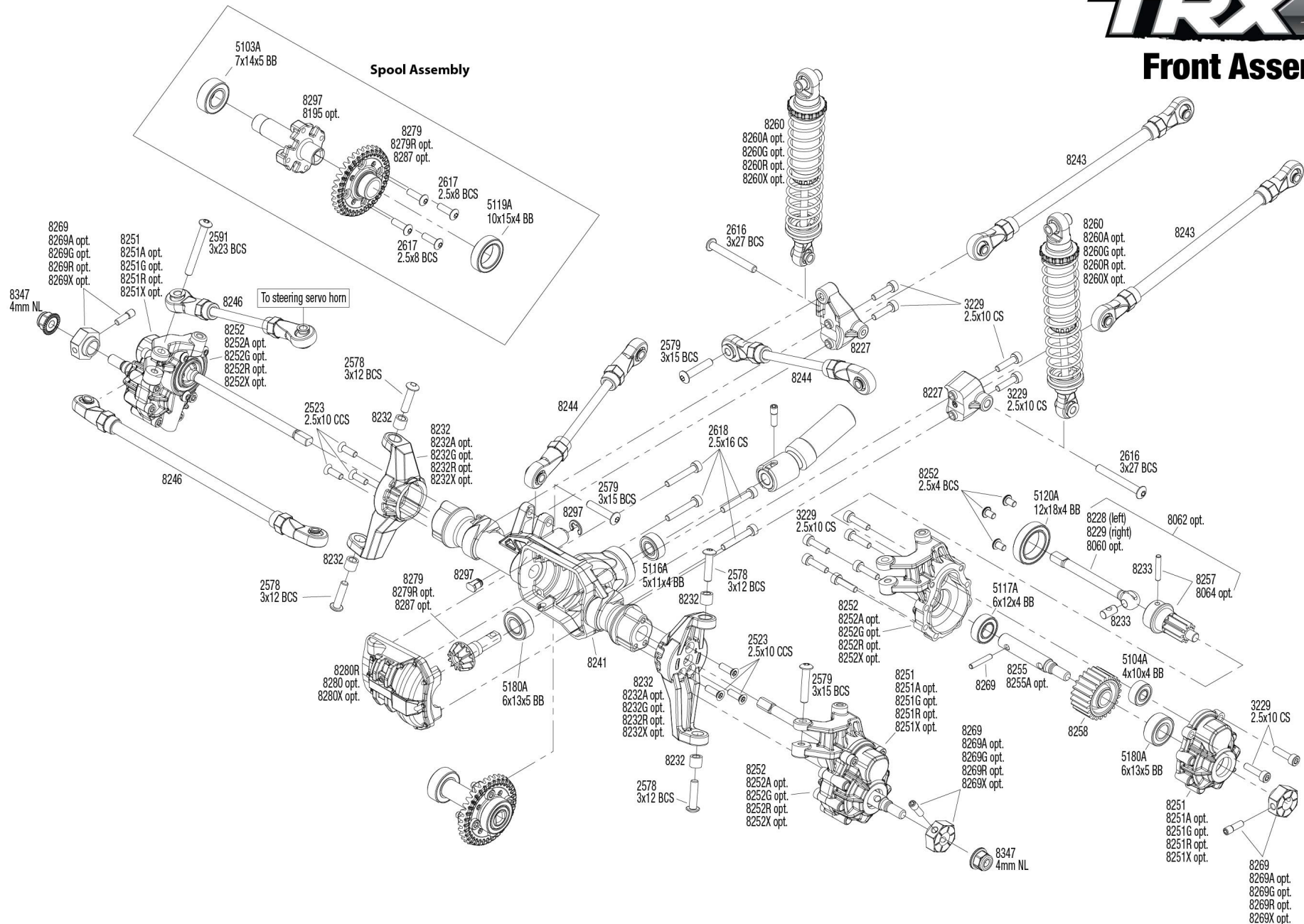


See Parts List for a complete listing of optional accessories.

Specifications on this page are subject to change without notice. Every attempt has been made to ensure the accuracy of this drawing; however, Traxxas cannot be held responsible for typographical or other errors.

# TRX4<sup>®</sup>

## Front Assembly

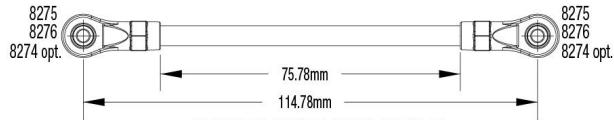


See Parts List for a complete listing of optional accessories.

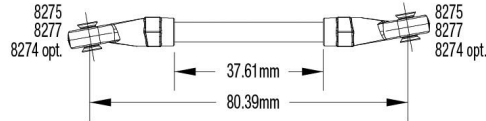
Specifications on this page are subject to change without notice. Every attempt has been made to ensure the accuracy of this drawing; however, Traxxas cannot be held responsible for typographical or other errors.

REV 240220-R02

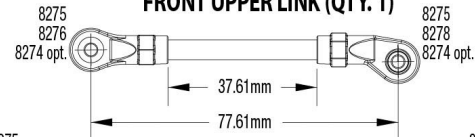
## Link Dimensions



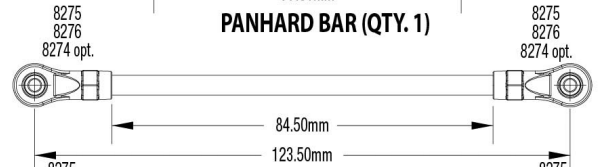
**FRONT LOWER LINK (QTY. 2)**



**FRONT UPPER LINK (QTY. 1)**



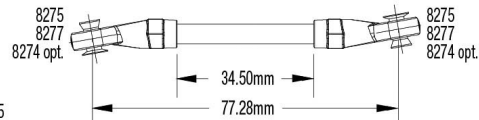
**PANHARD BAR (QTY. 1)**



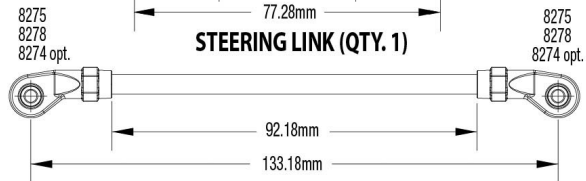
**REAR LOWER LINK (QTY. 2)**



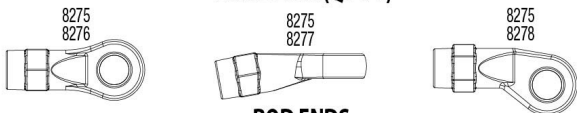
**REAR UPPER LINK (QTY. 2)**



**STEERING LINK (QTY. 1)**



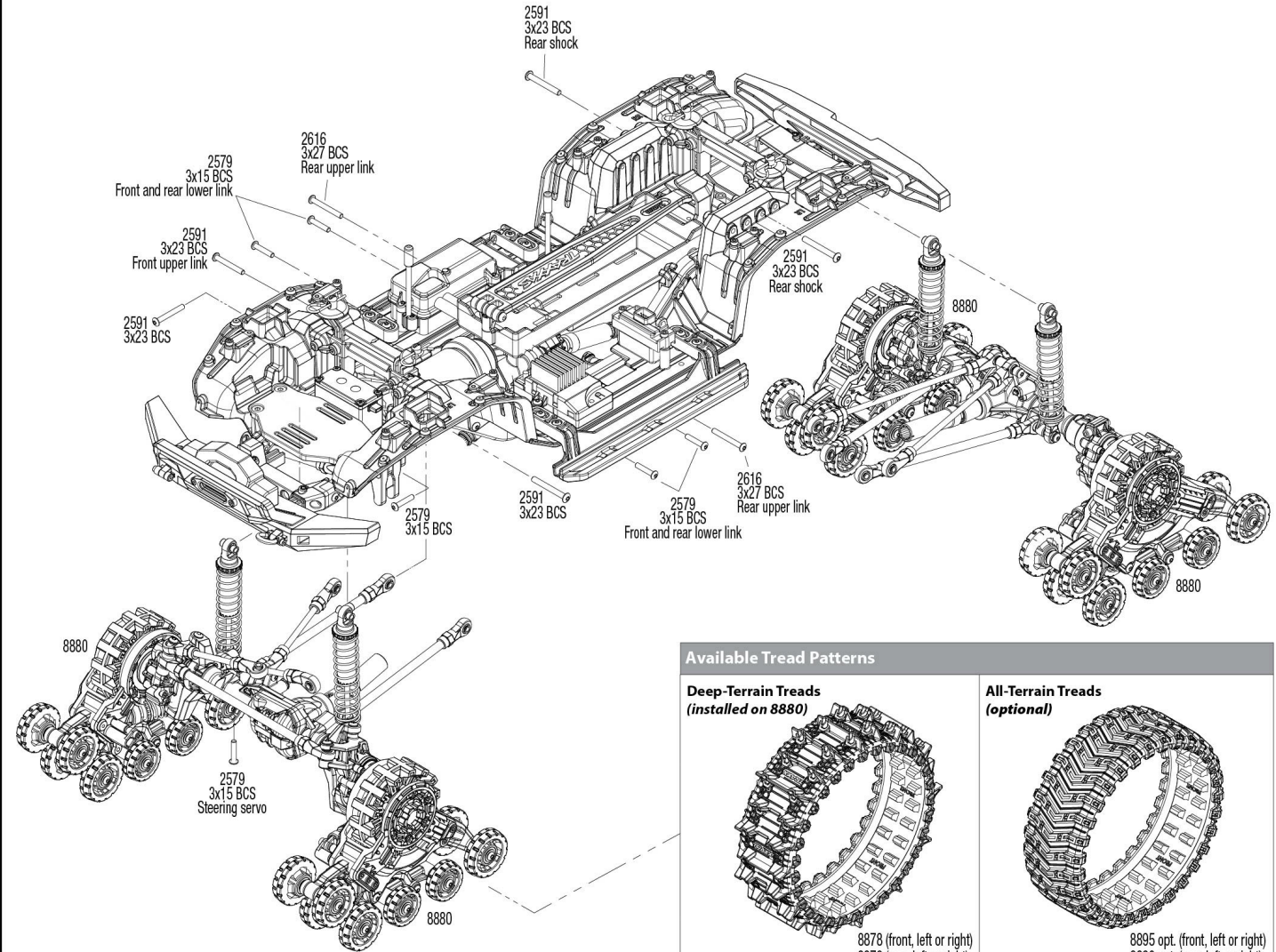
**DRAG LINK (QTY. 1)**

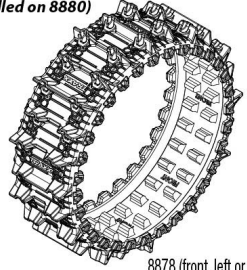
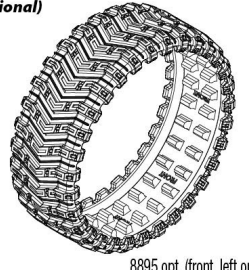


**ROD ENDS**

For standard hollow ball replacement, use part #5349.

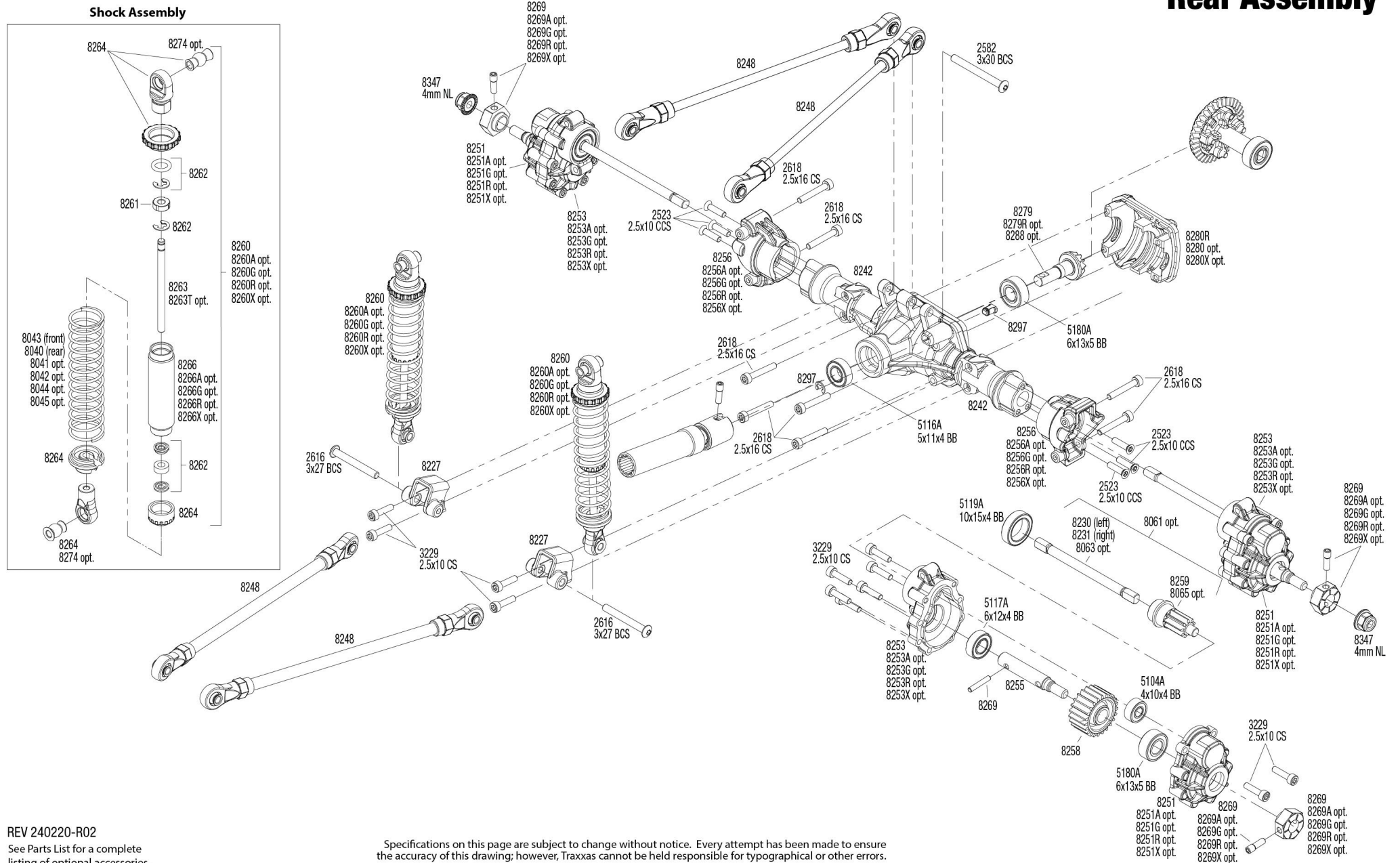
## Modular Assembly



Available Tread Patterns	
<p><b>Deep-Terrain Treads</b> (installed on 8880)</p>  <p>8878 (front, left or right) 8879 (rear, left or right)</p>	<p><b>All-Terrain Treads</b> (optional)</p>  <p>8895 opt. (front, left or right) 8896 opt. (rear, left or right)</p>

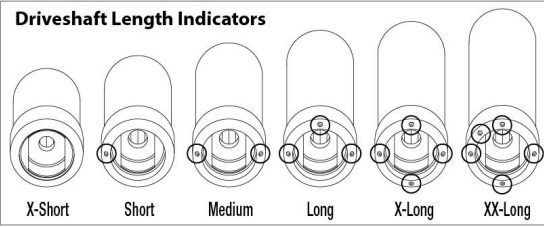
See Parts List for a complete listing of optional accessories.

Specifications on this page are subject to change without notice. Every attempt has been made to ensure the accuracy of this drawing; however, Traxxas cannot be held responsible for typographical or other errors.

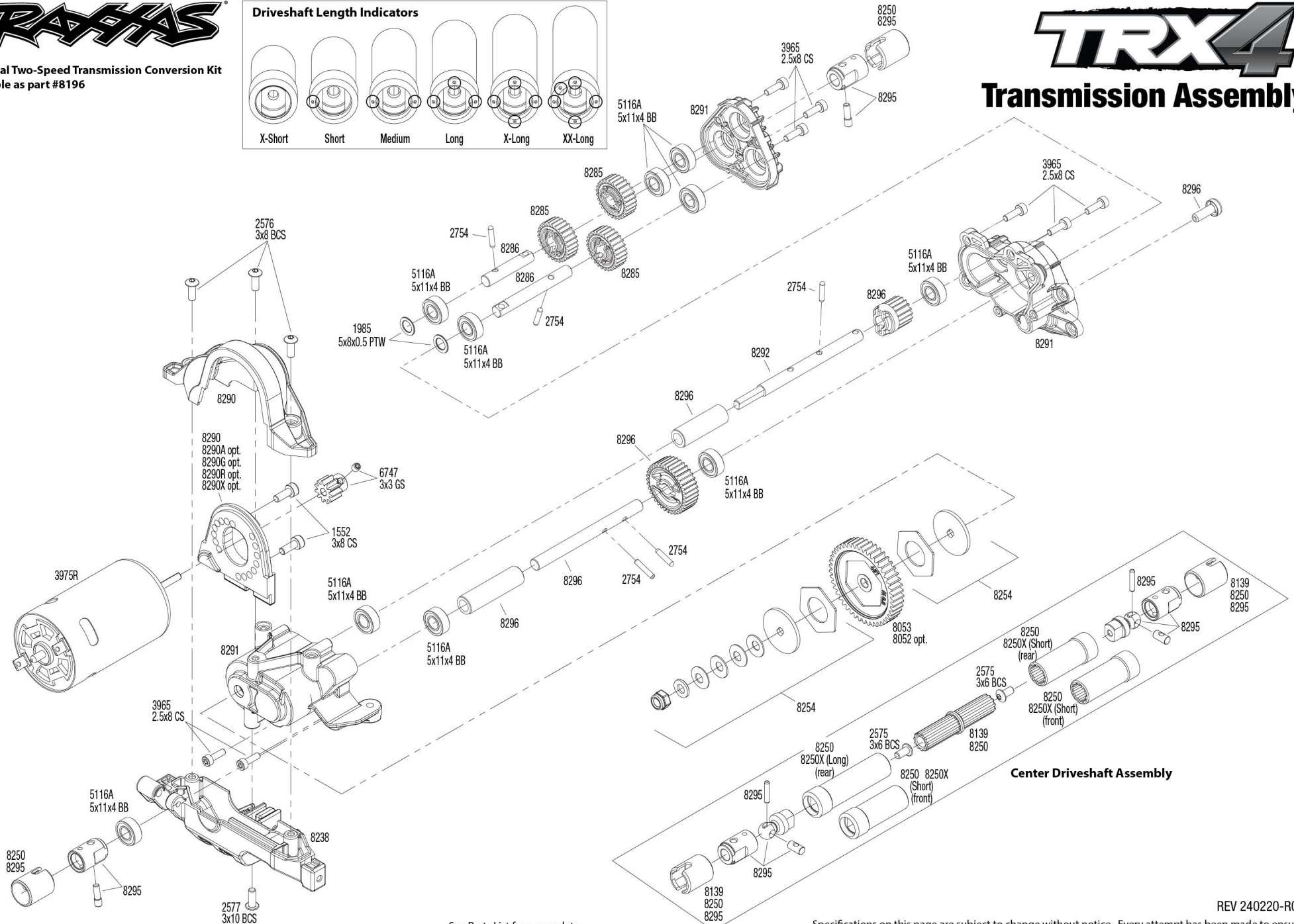




Optional Two-Speed Transmission Conversion Kit available as part #8196

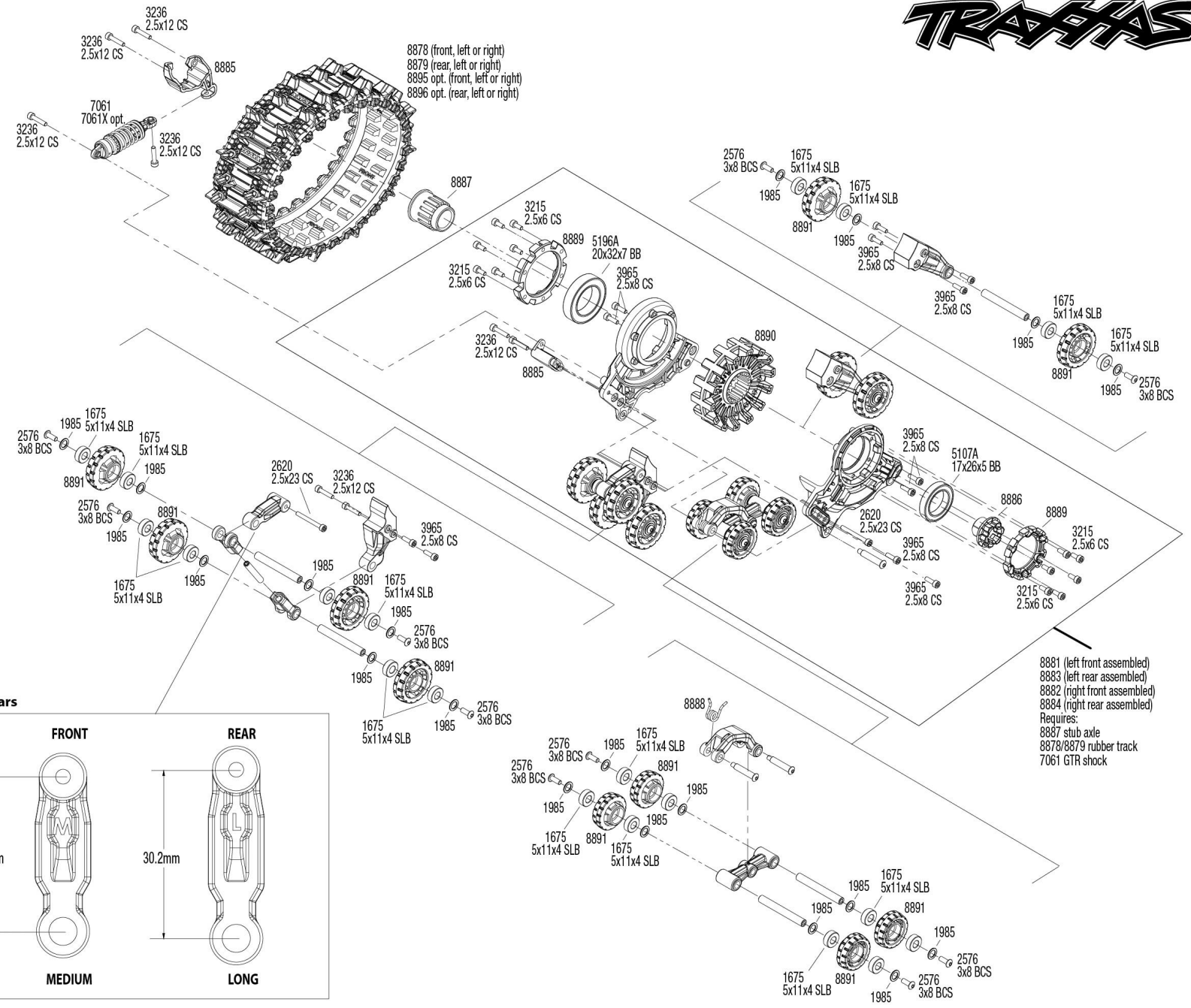


# TRX4 Transmission Assembly

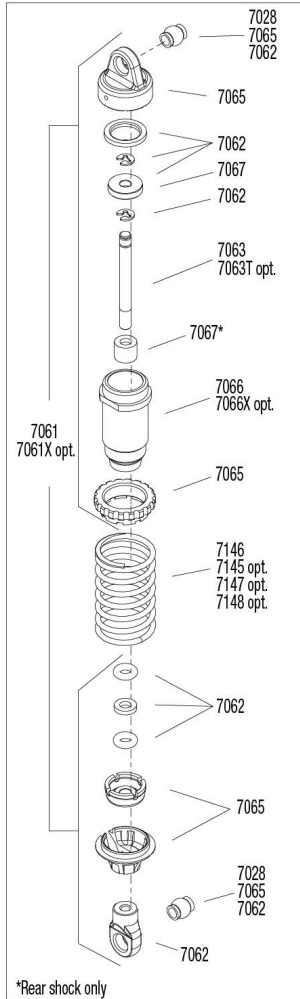


See Parts List for a complete listing of optional accessories.

Specifications on this page are subject to change without notice. Every attempt has been made to ensure the accuracy of this drawing; however, Traxxas cannot be held responsible for typographical or other errors.



## Shock Assembly



## Tension Bars

