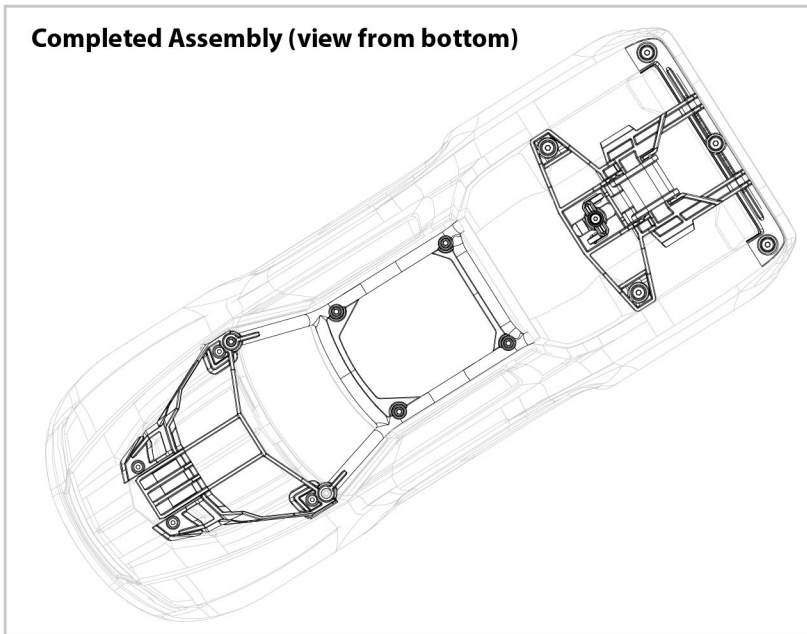
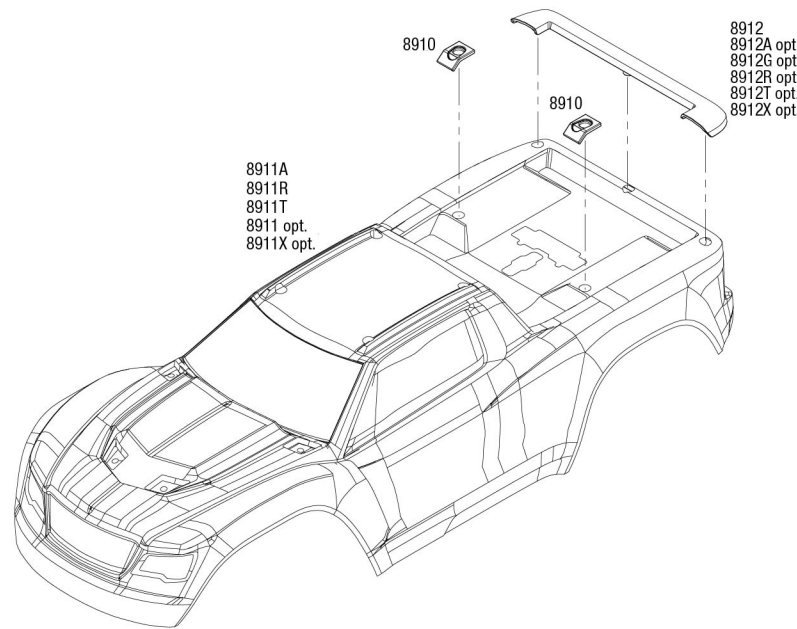
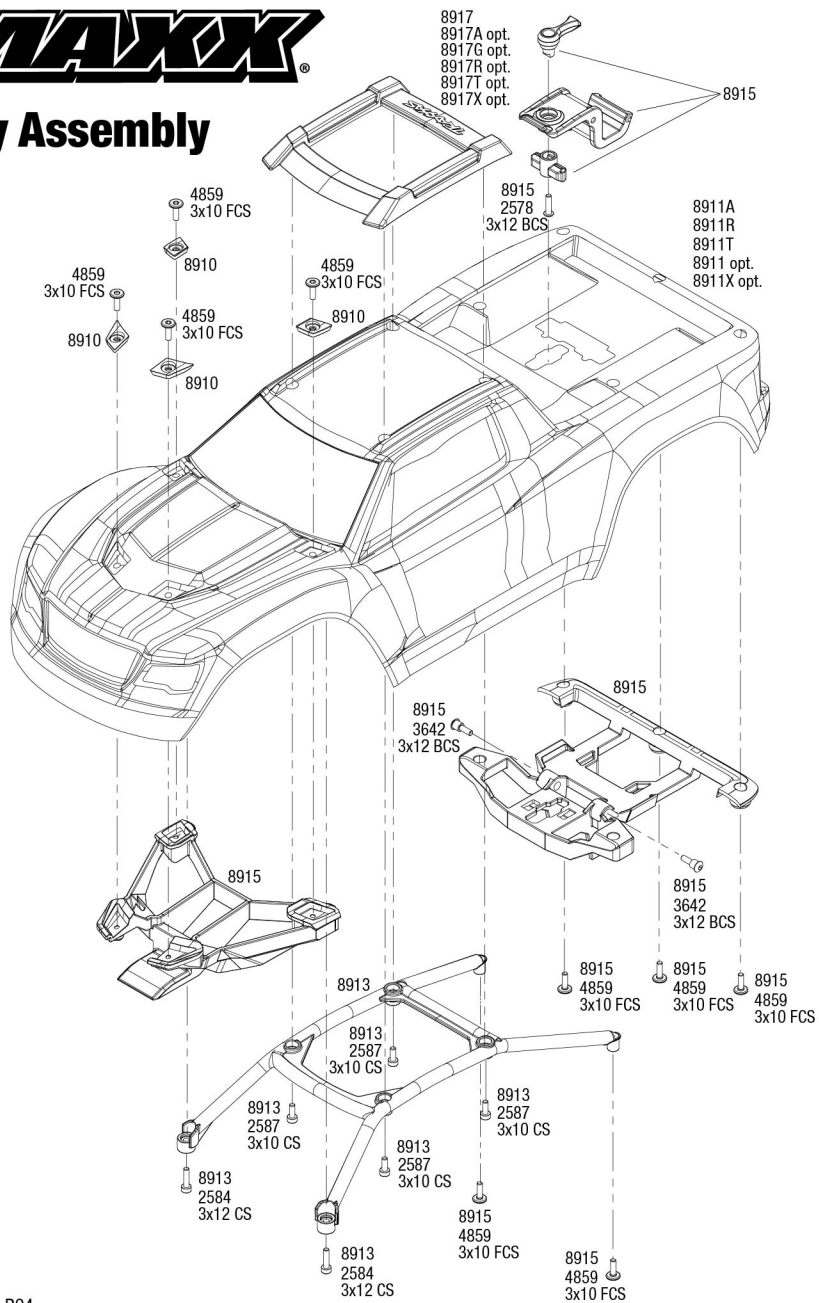




# Body Assembly



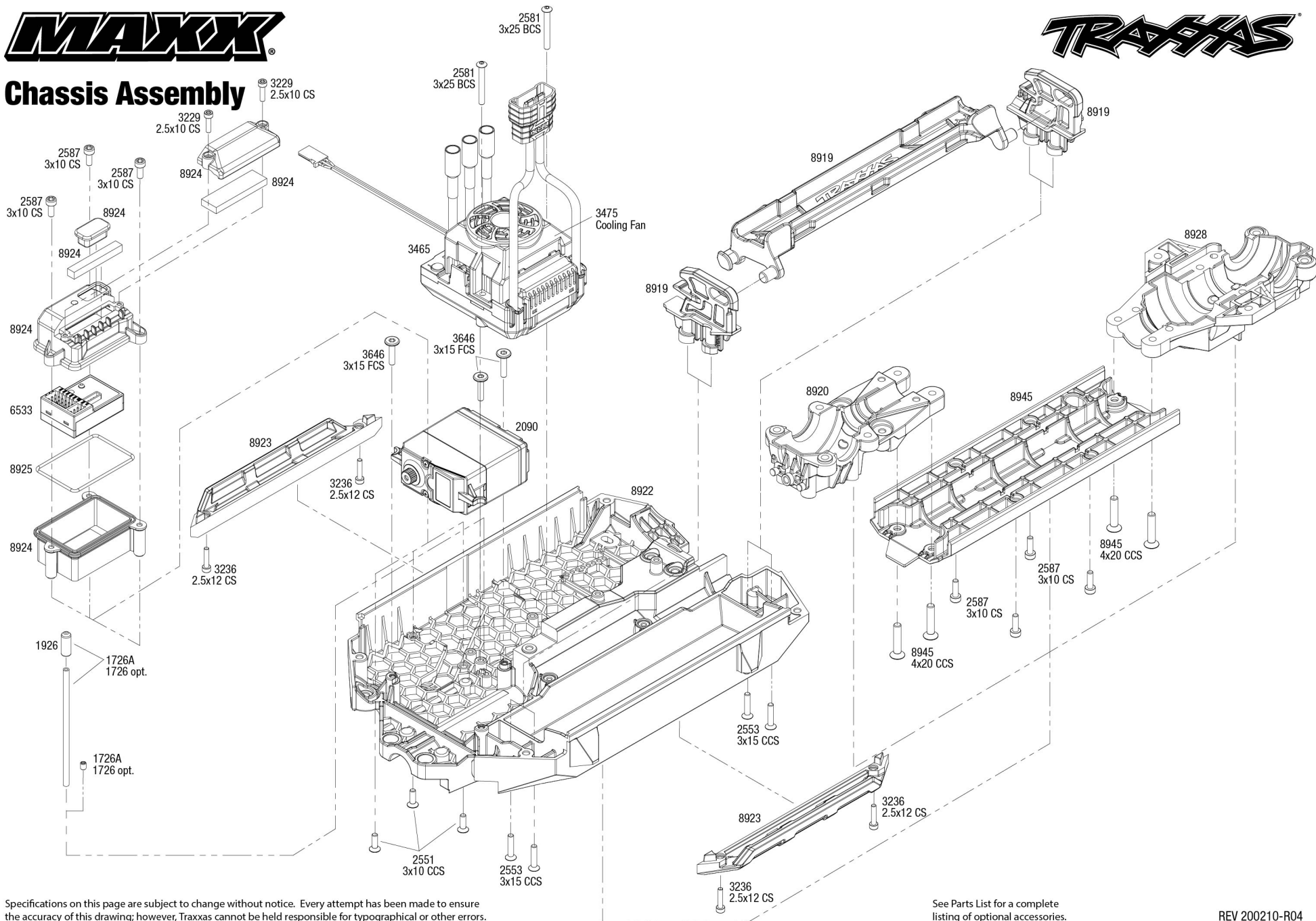
REV 200210-R04

Specifications on this page are subject to change without notice. Every attempt has been made to ensure the accuracy of this drawing; however, Traxxas cannot be held responsible for typographical or other errors. See Parts List for a complete listing of optional accessories.

See Parts List for a complete listing of optional accessories.



## Chassis Assembly



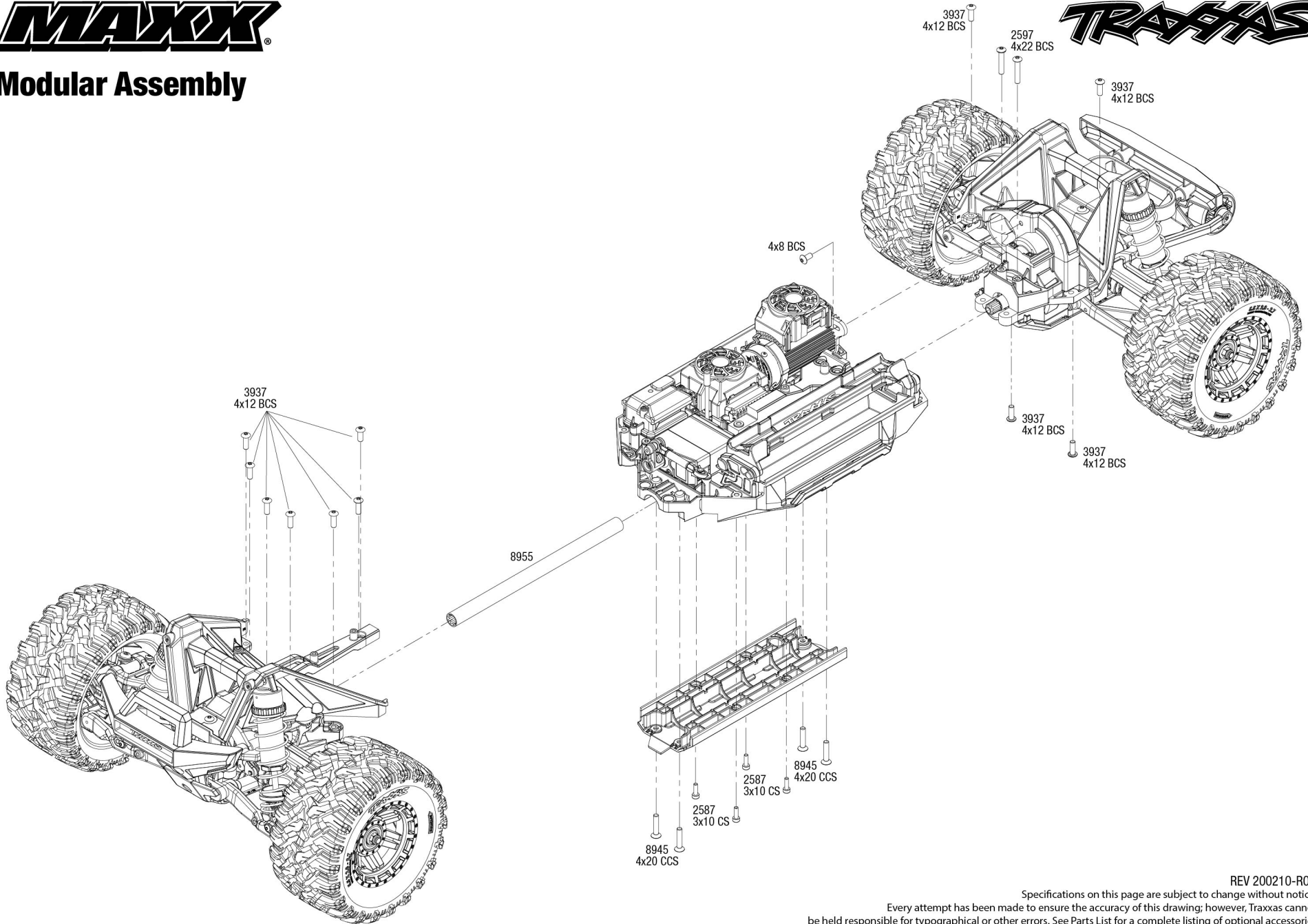
Specifications on this page are subject to change without notice. Every attempt has been made to ensure the accuracy of this drawing; however, Traxxas cannot be held responsible for typographical or other errors.

See Parts List for a complete listing of optional accessories.



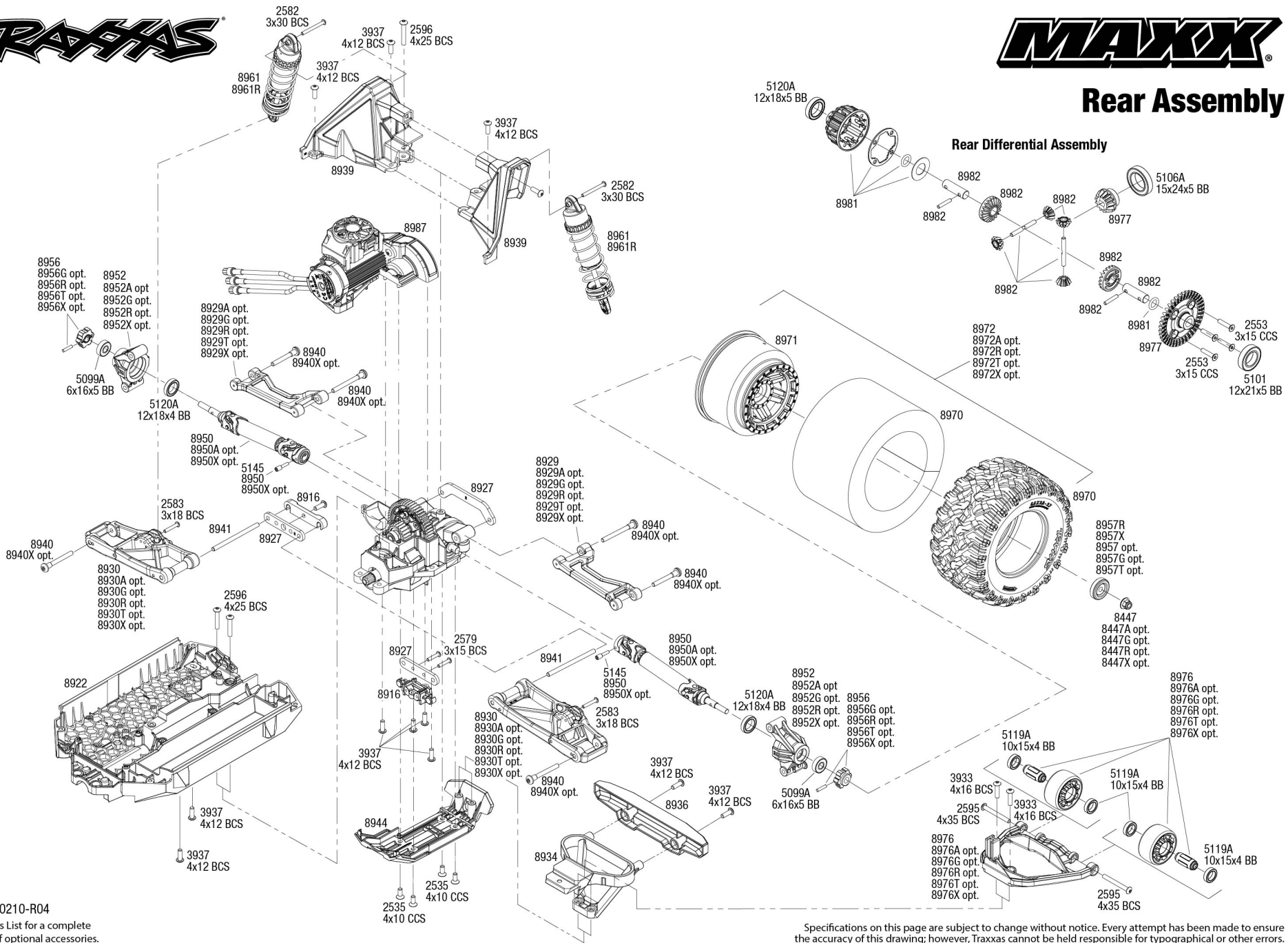


# Modular Assembly



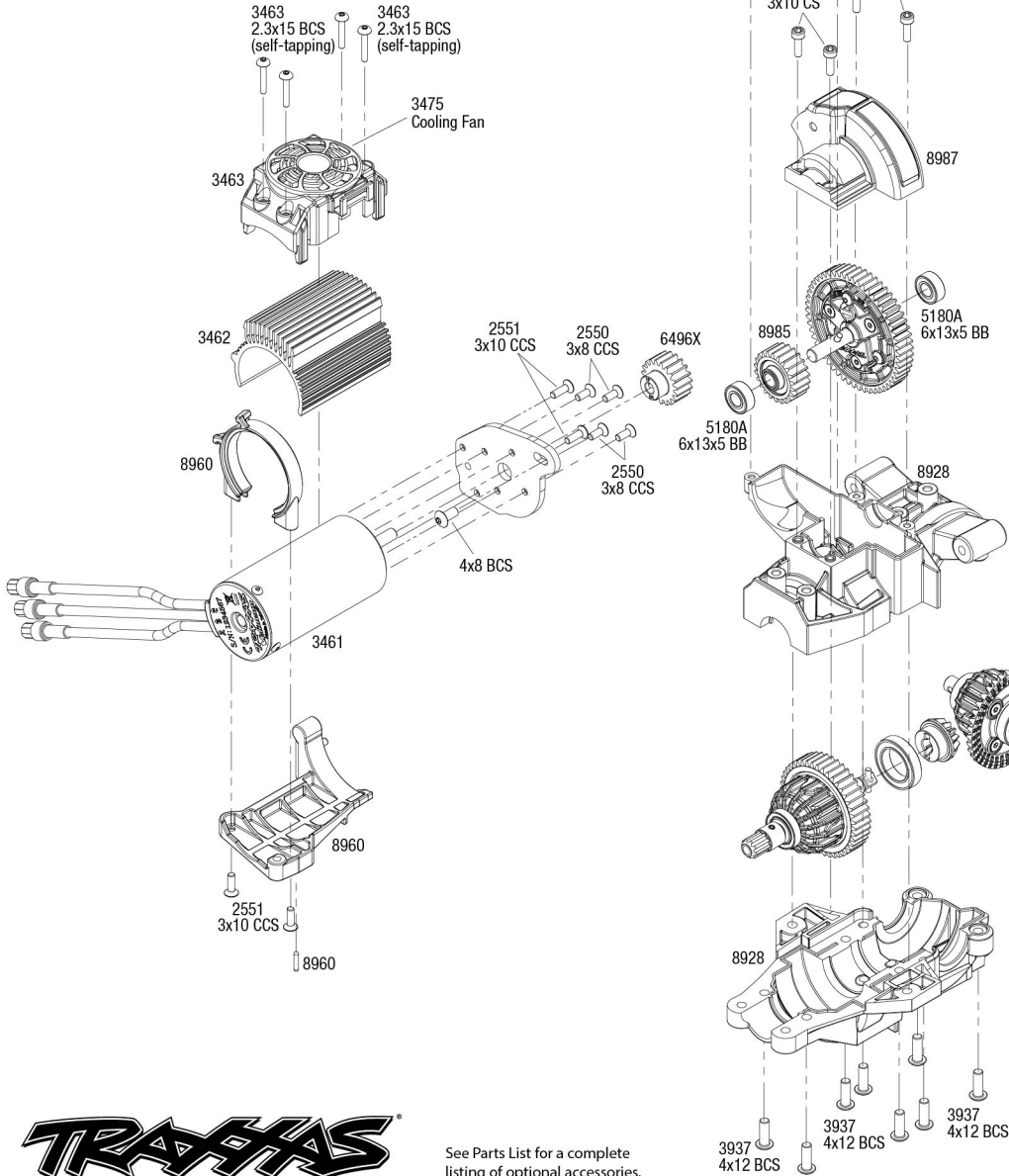
REV 200210-R04  
Specifications on this page are subject to change without notice.  
Every attempt has been made to ensure the accuracy of this drawing; however, Traxxas cannot be held responsible for typographical or other errors. See Parts List for a complete listing of optional accessories.

## Rear Assembly

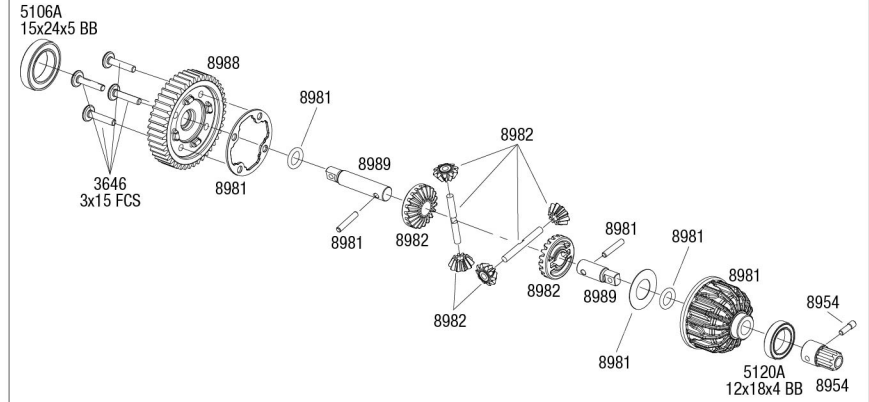




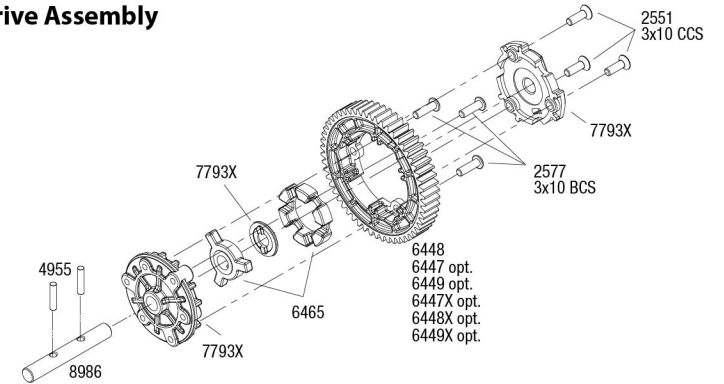
# Transmission Assembly



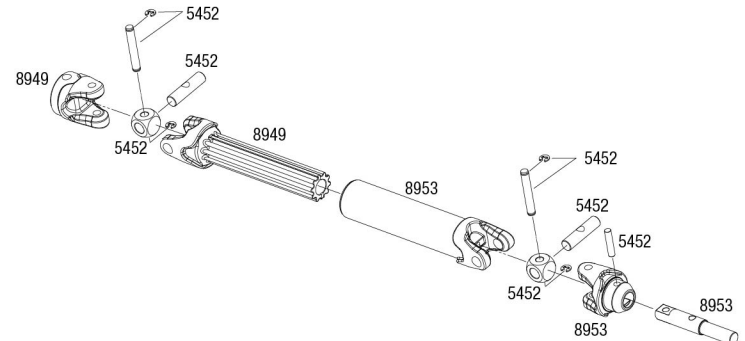
## Center Differential Assembly



## Cush Drive Assembly



## Front & Rear Driveshaft Assembly



See Parts List for a complete listing of optional accessories.

REV 200210-R04  
Specifications on this page are subject to change without notice. Every attempt has been made to ensure the accuracy of this drawing; however, Traxxas cannot be held responsible for typographical or other errors.