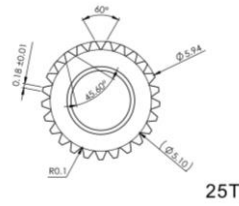
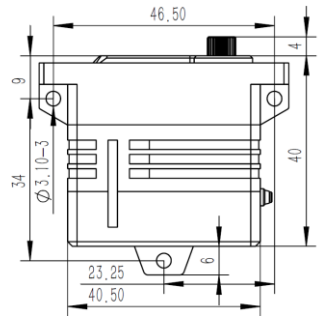
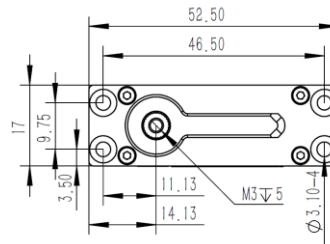


HV5013 Technical Specification



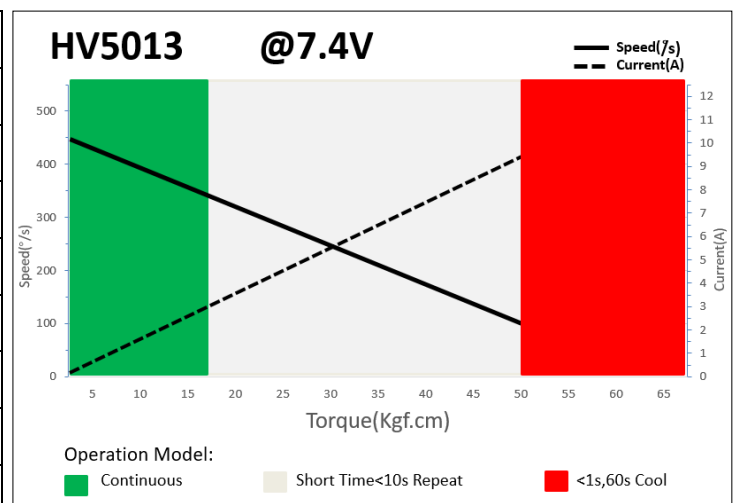
25T- 6mm Output Shaft Spline



1. Operating Data

Rated Voltage	DC7.4V
Voltage Range	DC6.0V-8.4V
Torque	40Kgf.cm@6.0V
	50Kgf.cm@7.4V
	60Kgf.cm@8.4V
Speed	0.16sec/60°@6.0V
	0.13sec/60°@7.4V
	0.11sec/60°@8.4V
Stalling Current	8.5A@6.0V
	10.3A@7.4V
	11.8A@8.4V
Working Frequency	1520us/333Hz
Default Travel Angle	±60° =120° Total
Temperature Range	-10°C.....+65°C
Soft Start	Programmable
Programmable	Yes
Case Material	Aluminum Alloy
Motor Type	4 pole Brushless DC Motor
Gear Set Material	Hardened Steel
Position Sensor	Potentiometer
Ball Bearing	2BB
Case Dimensions	40.5mm*17mm*40mm±0.2mm
Weight	68g±10%

2. Performance



3. Command signal PWM Command Interface

Signal Voltage	HIGH: min.3.3V, max.5.0V Low: min.0.0V, max.1.5V
Pulse Lengths	900us-2100us
Pulse Lengths for Position -50°/ 0°/+50°	1000us/1500us/2000us

4. Electrical Connection

Pin Assignment			
 3 2 1	1	Orange	Signal PWM Command
	2	Red	DC+ Supply Voltage
	3	Brown	DC- Supply Ground