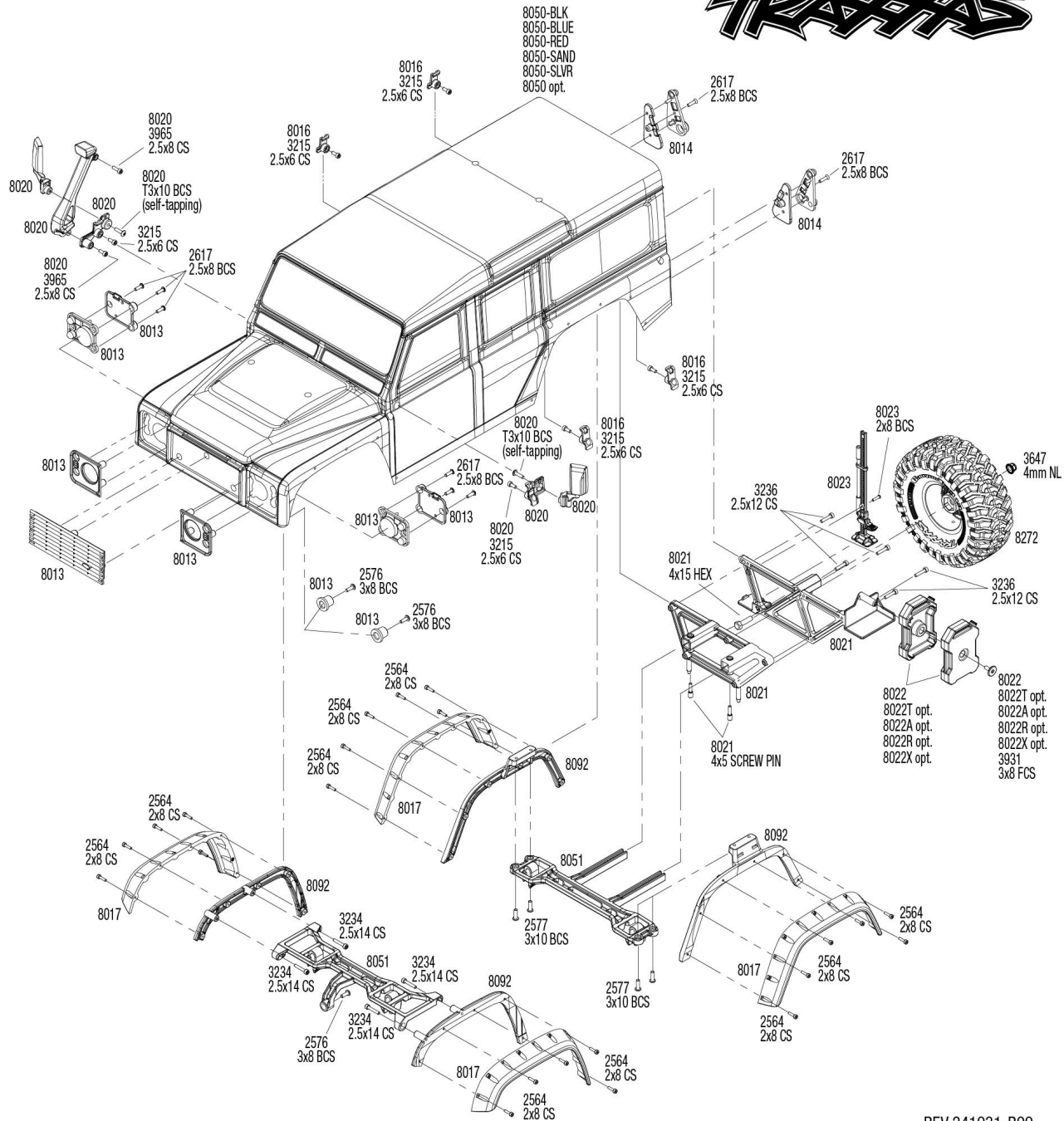
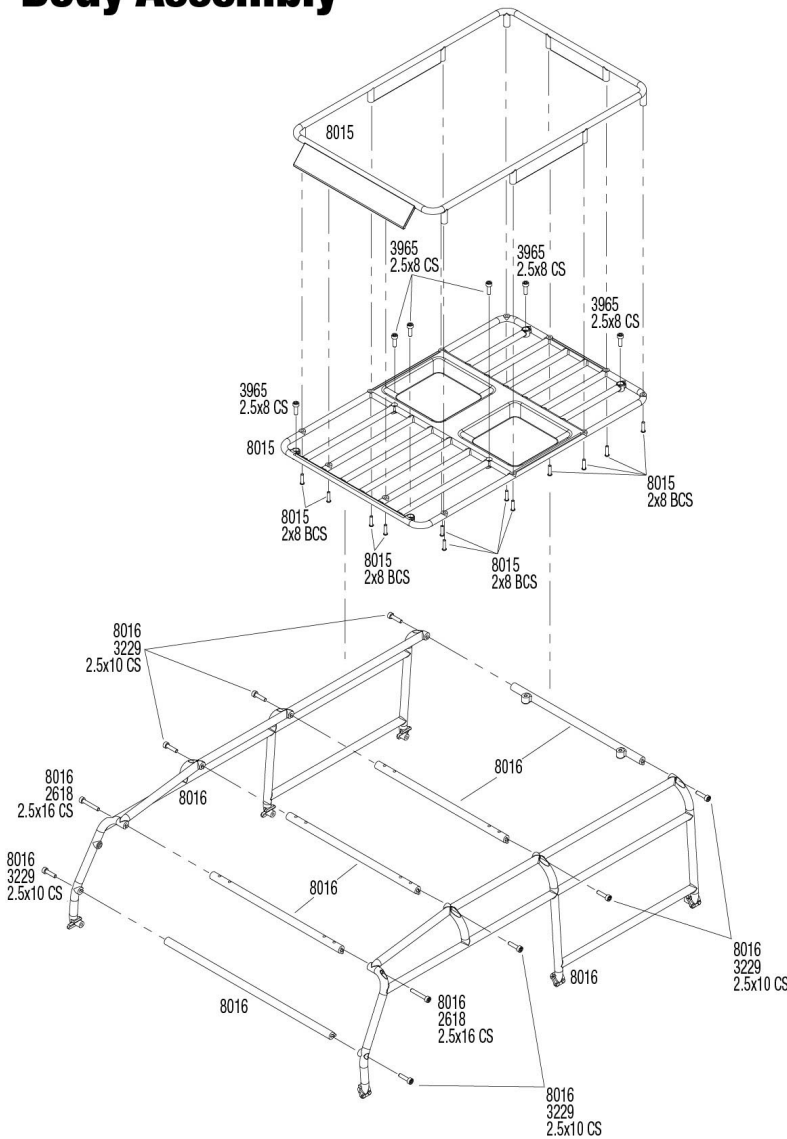




Body Assembly

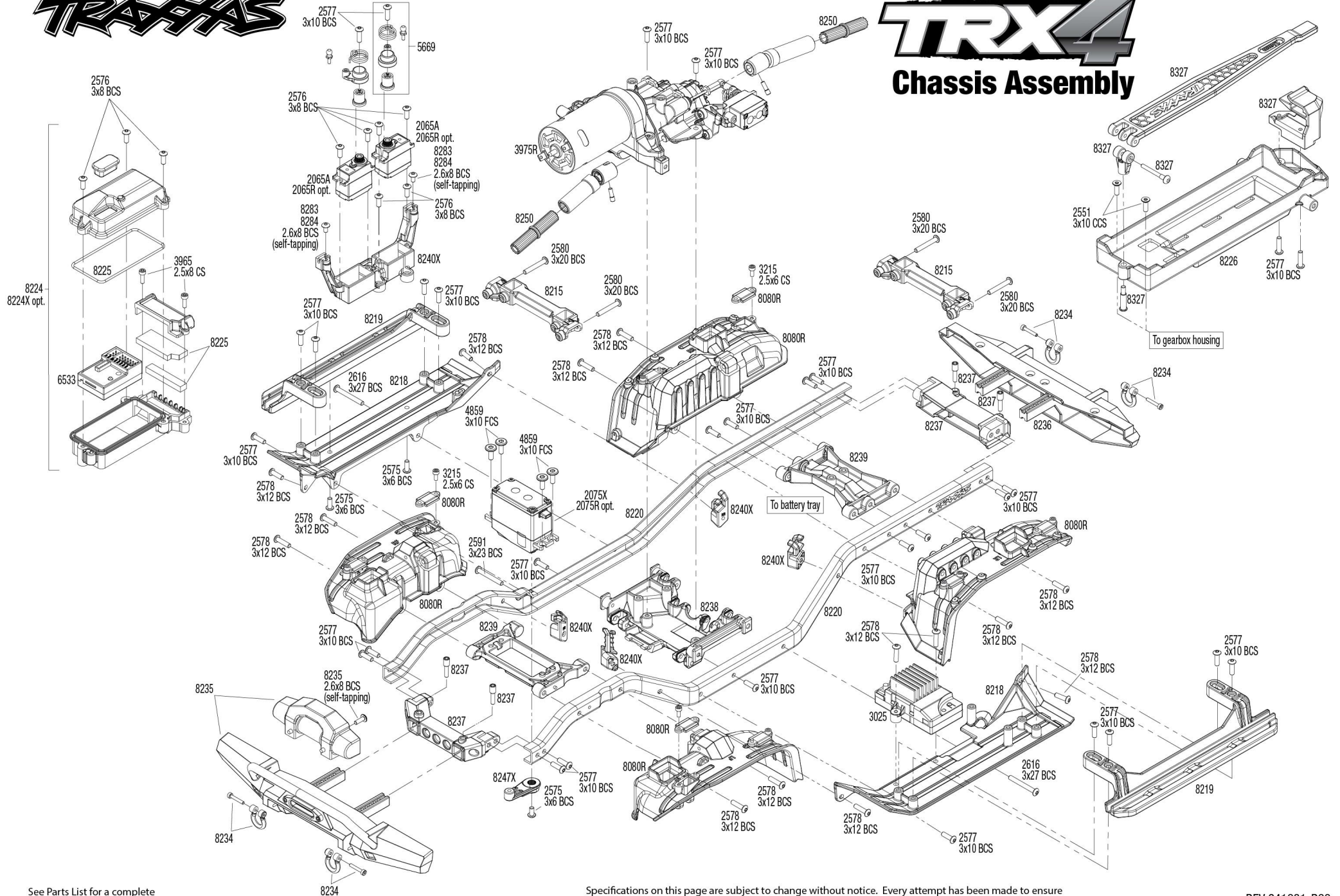


See Parts List for a complete listing of optional accessories.

REV 241031-R00
Specifications on this page are subject to change without notice. Every attempt has been made to ensure the accuracy of this drawing; however, Traxxas cannot be held responsible for typographical or other errors.



TRX4 Chassis Assembly



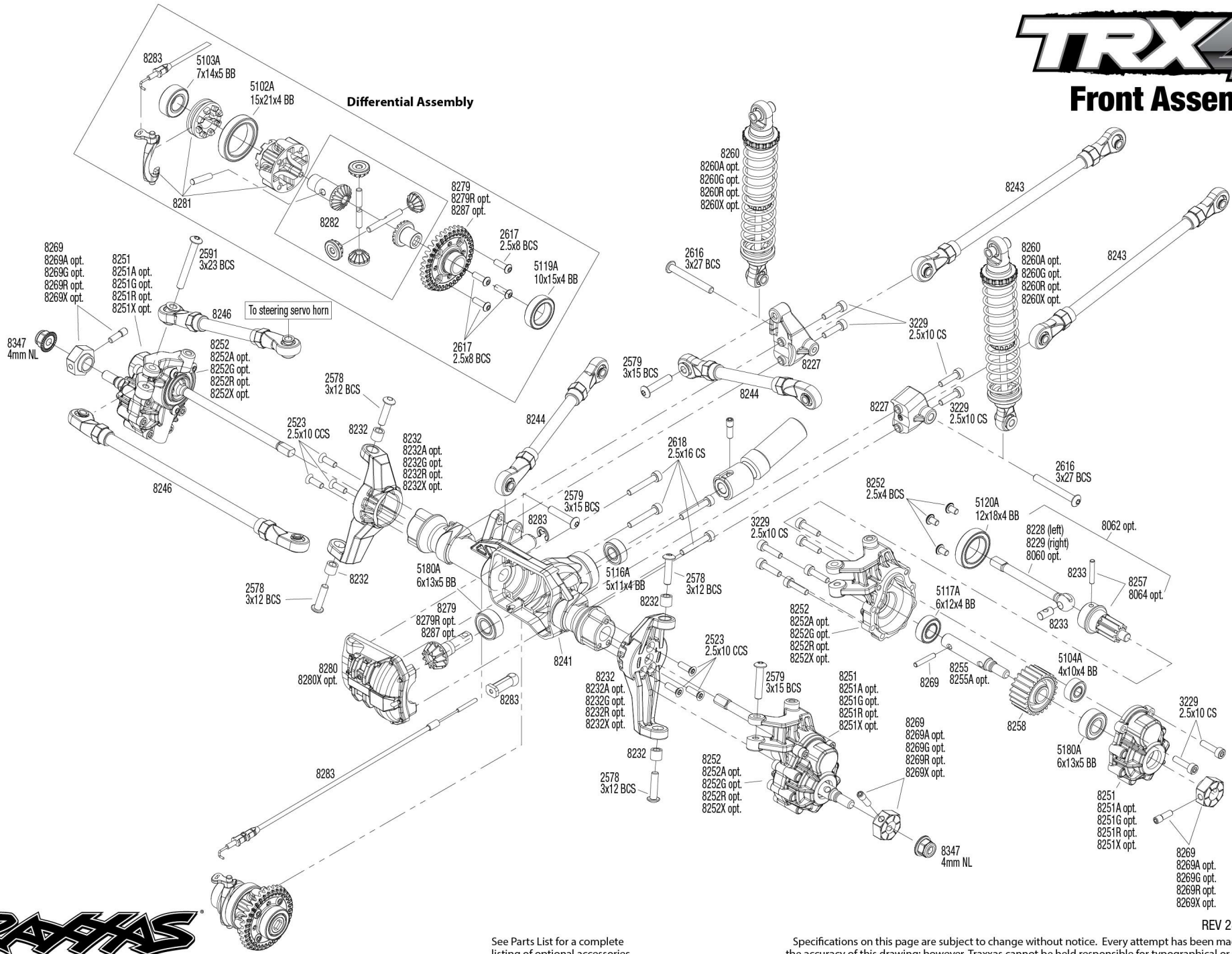
See Parts List for a complete listing of optional accessories.

Specifications on this page are subject to change without notice. Every attempt has been made to ensure the accuracy of this drawing; however, Traxas cannot be held responsible for typographical or other errors.

REV 241031-R00

TRX4[®]

Front Assembly

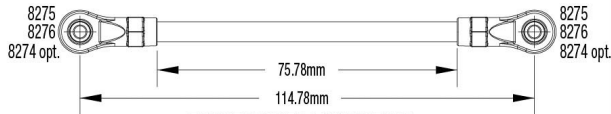


See Parts List for a complete listing of optional accessories.

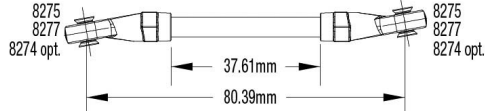
Specifications on this page are subject to change without notice. Every attempt has been made to ensure the accuracy of this drawing; however, Traxxas cannot be held responsible for typographical or other errors.

REV 241031-R00

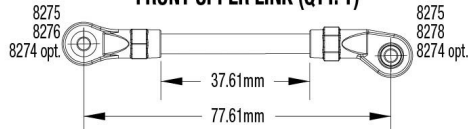
Link Dimensions



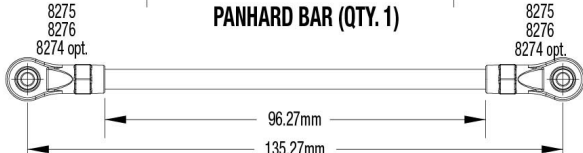
FRONT LOWER LINK (QTY. 2)



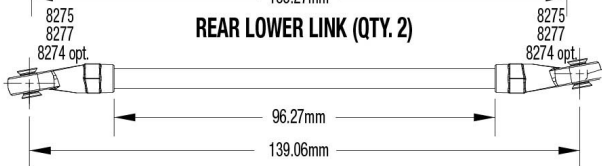
FRONT UPPER LINK (QTY. 1)



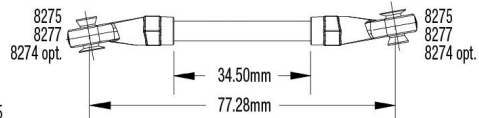
PANHARD BAR (QTY. 1)



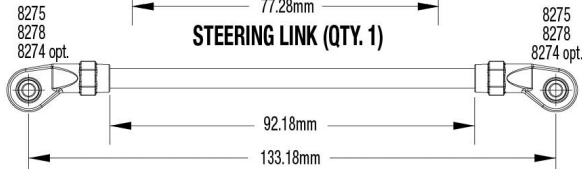
REAR LOWER LINK (QTY. 2)



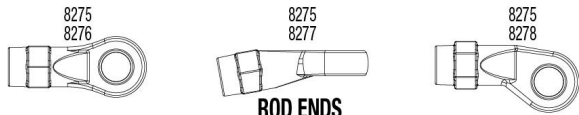
REAR UPPER LINK (QTY. 2)



STEERING LINK (QTY. 1)



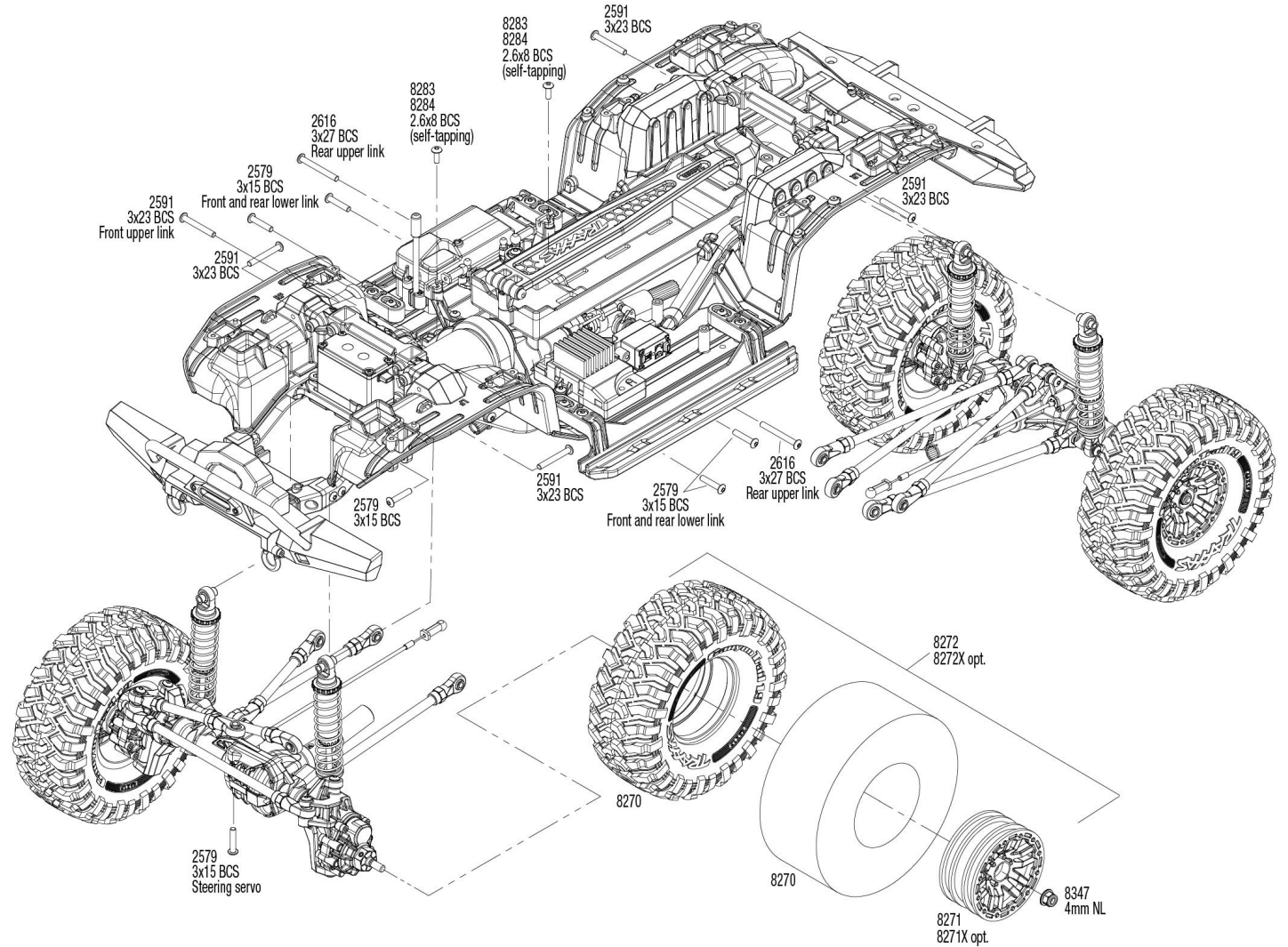
DRAG LINK (QTY. 1)



ROD ENDS

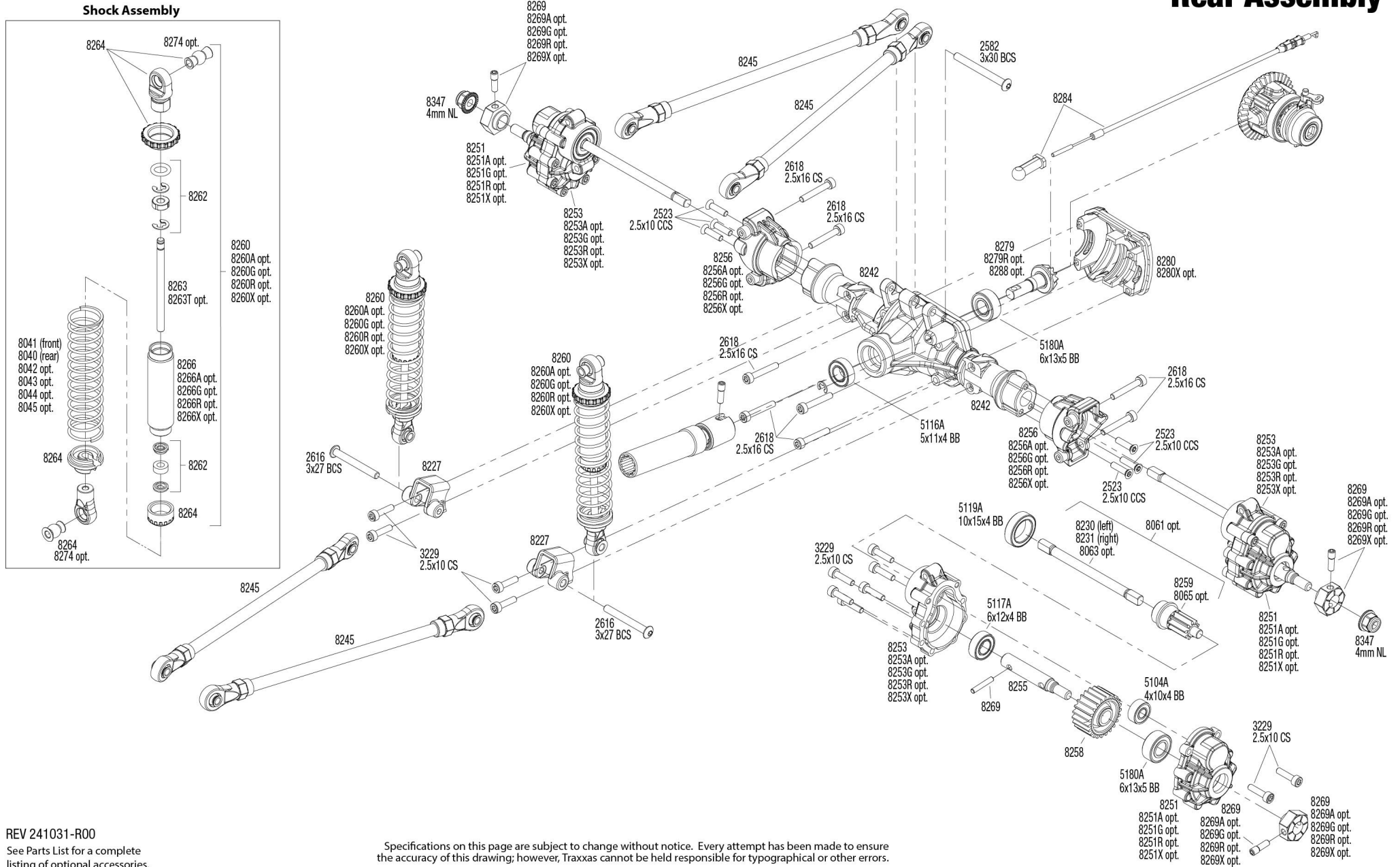
For standard hollow ball replacement, use part #5349.

Modular Assembly



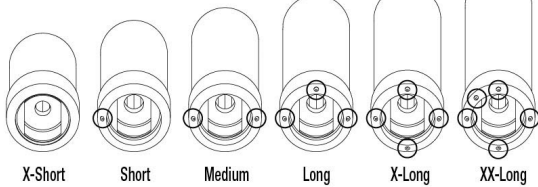
See Parts List for a complete listing of optional accessories.

Specifications on this page are subject to change without notice. Every attempt has been made to ensure the accuracy of this drawing; however, Traxxas cannot be held responsible for typographical or other errors.

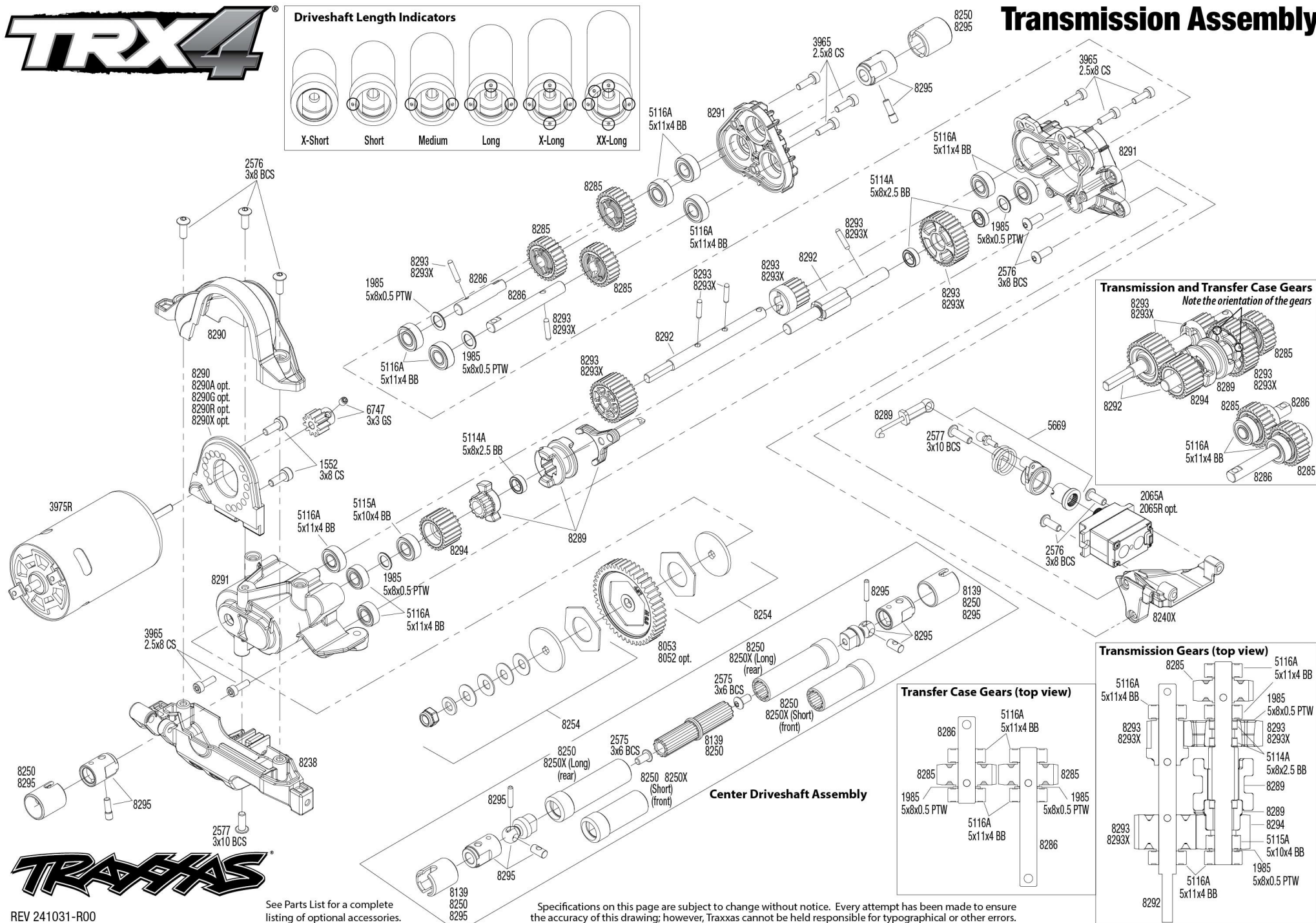




Driveshaft Length Indicators

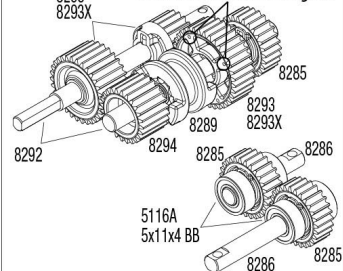


Transmission Assembly

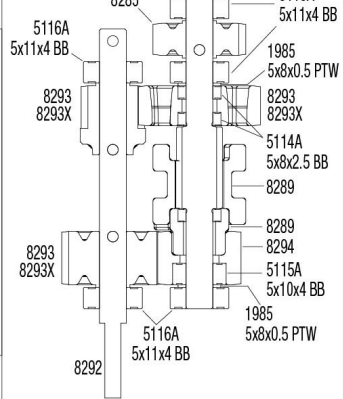


Transmission and Transfer Case Gears

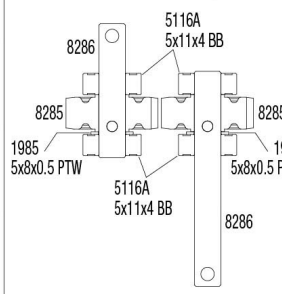
Note the orientation of the gears



Transmission Gears (top view)



Transfer Case Gears (top view)



Center Driveshaft Assembly

Specifications on this page are subject to change without notice. Every attempt has been made to ensure the accuracy of this drawing; however, Traxxas cannot be held responsible for typographical or other errors.

