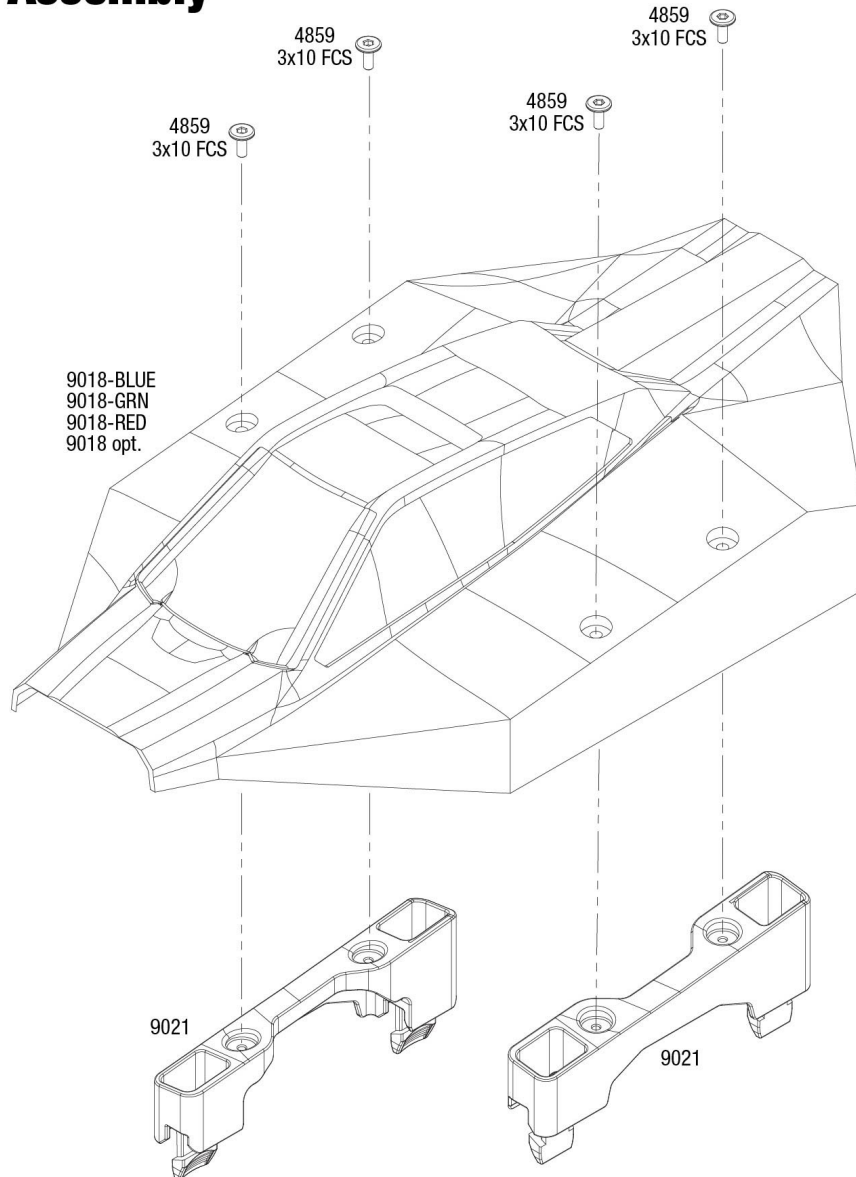
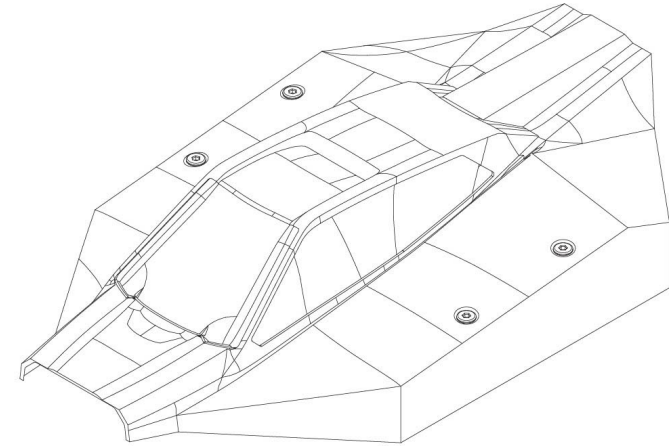


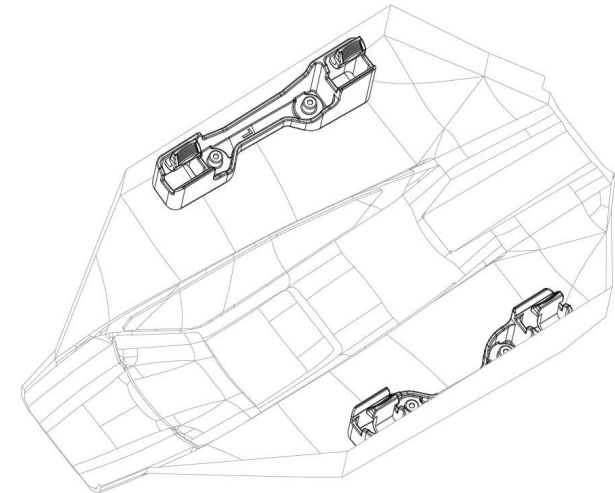
## Body Assembly



**Completed Assembly (view from top)**

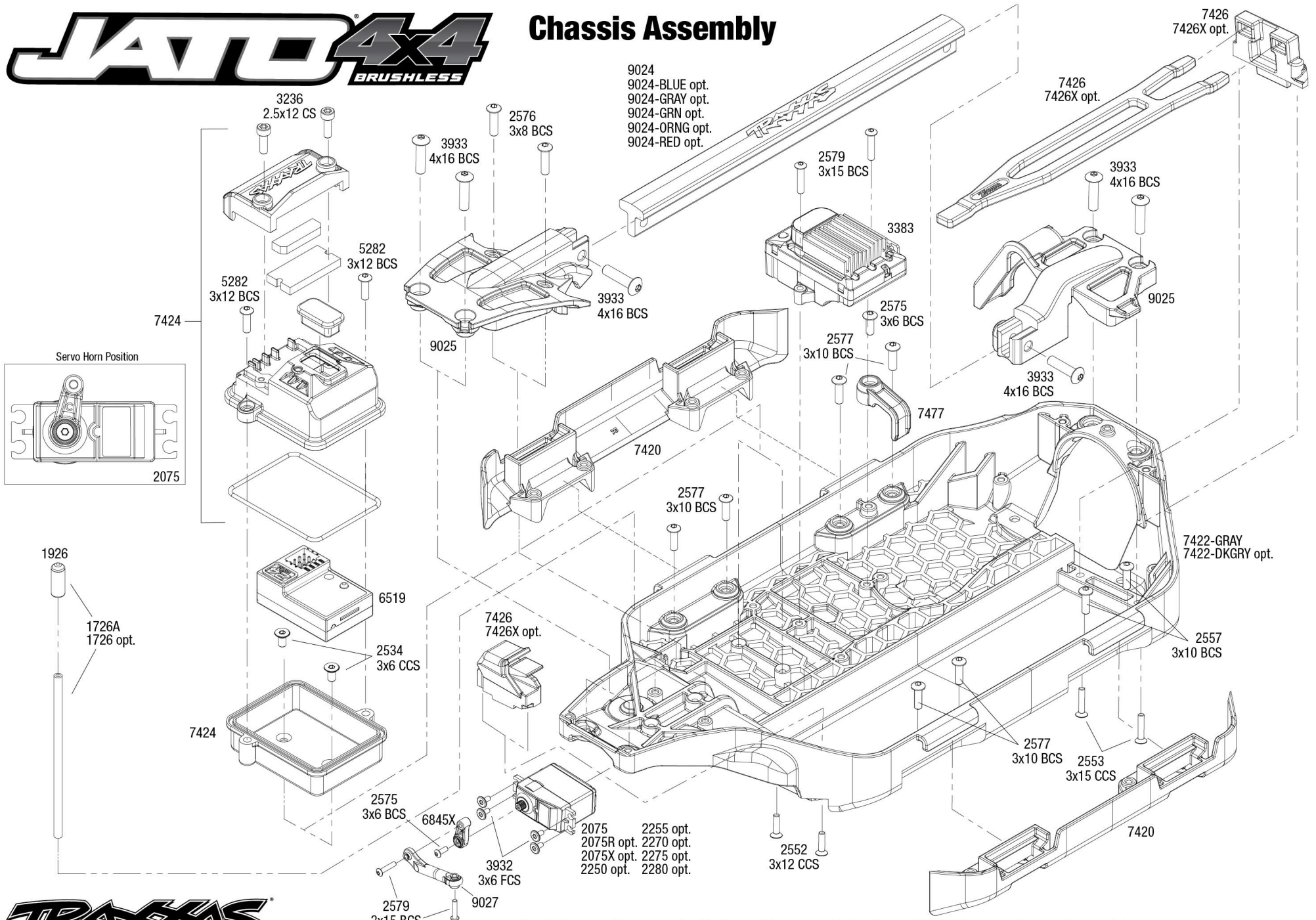


**Completed Assembly (view from bottom)**





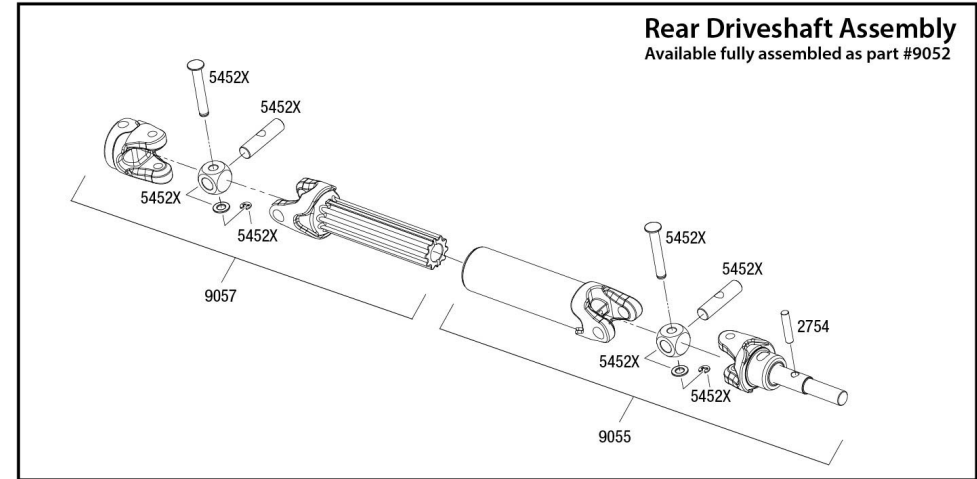
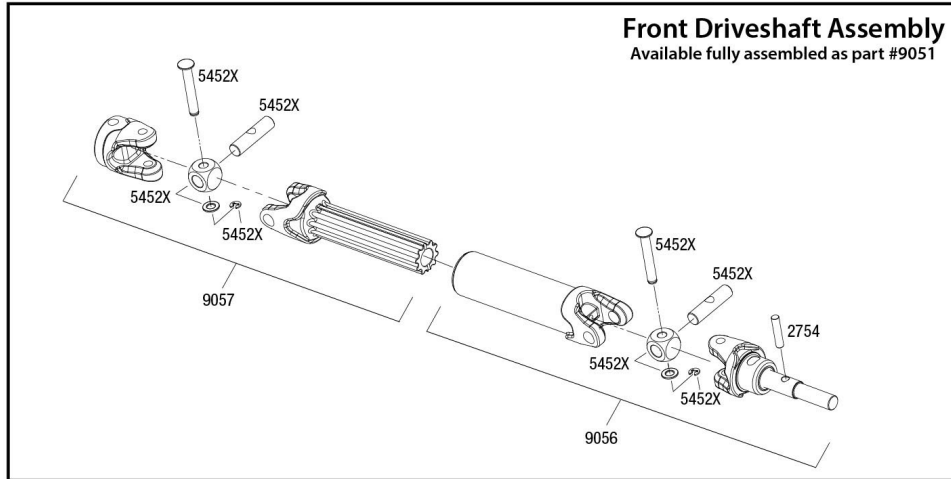
# Chassis Assembly



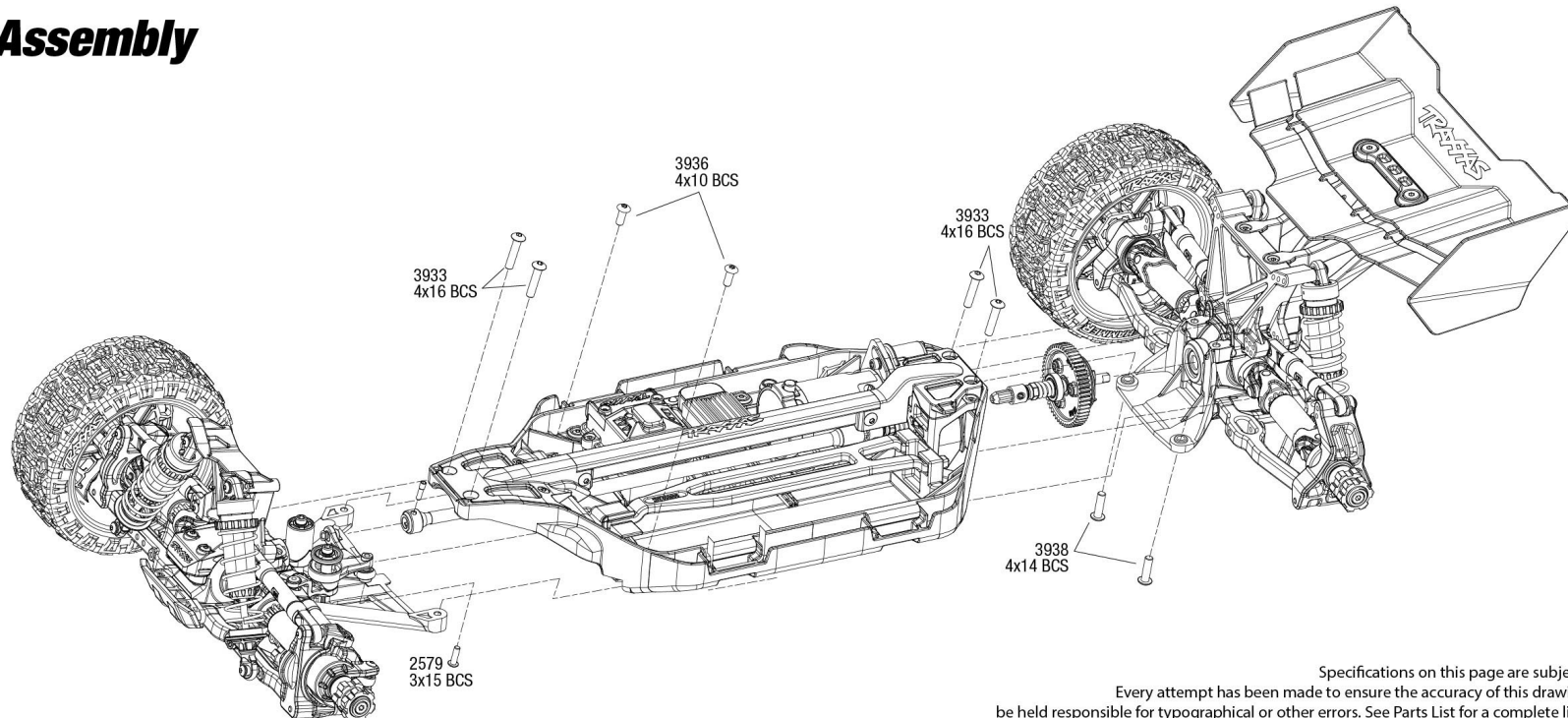
See Parts List for a complete listing of optional accessories.

Specifications on this page are subject to change without notice. Every attempt has been made to ensure the accuracy of this drawing; however, Traxxas cannot be held responsible for typographical or other errors.

### Driveshafts

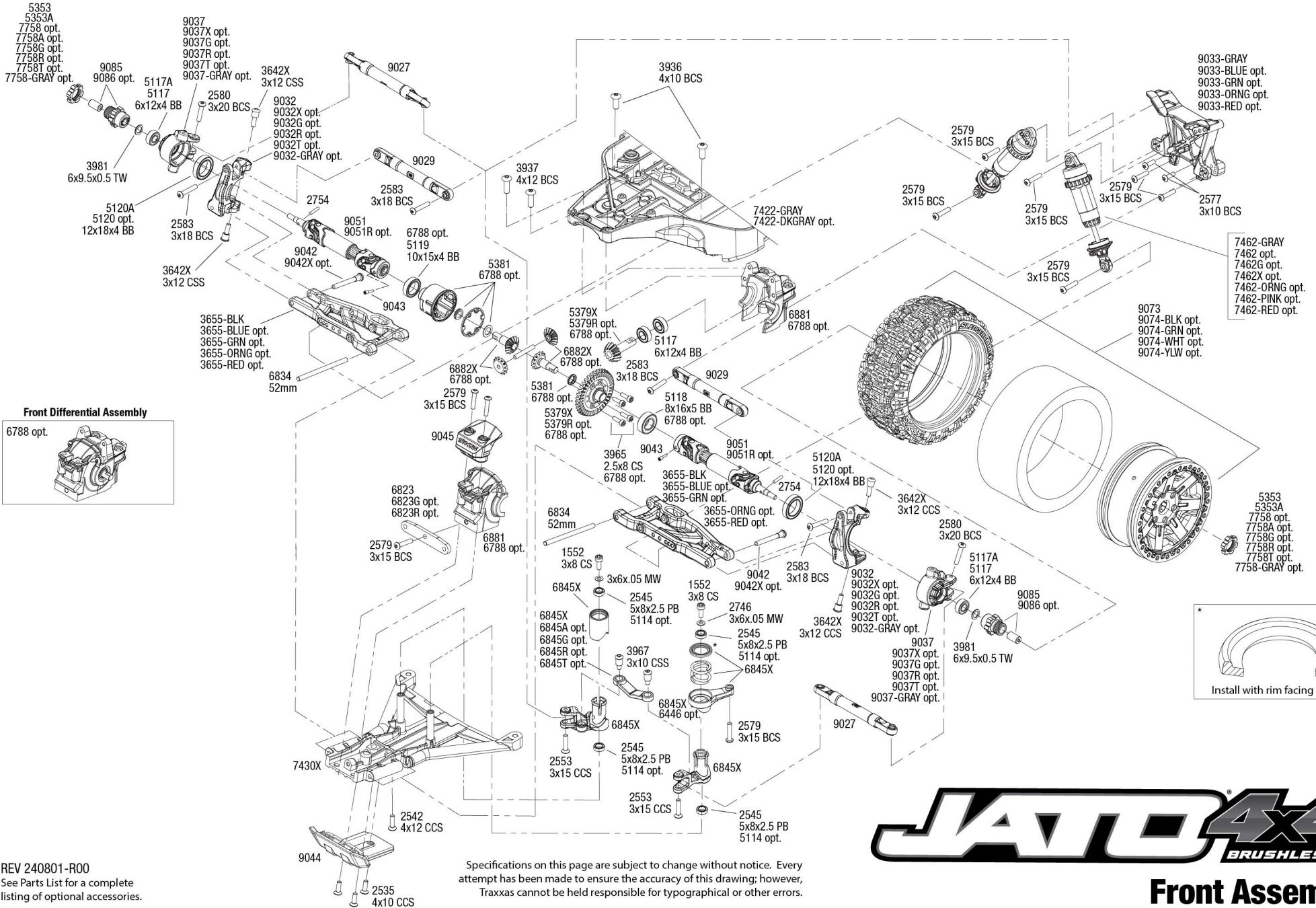


### Modular Assembly



REV 240801-R00

Specifications on this page are subject to change without notice. Every attempt has been made to ensure the accuracy of this drawing; however, Traxxas cannot be held responsible for typographical or other errors. See Parts List for a complete listing of optional accessories.



REV 240801-R00  
See Parts List for a complete listing of optional accessories.

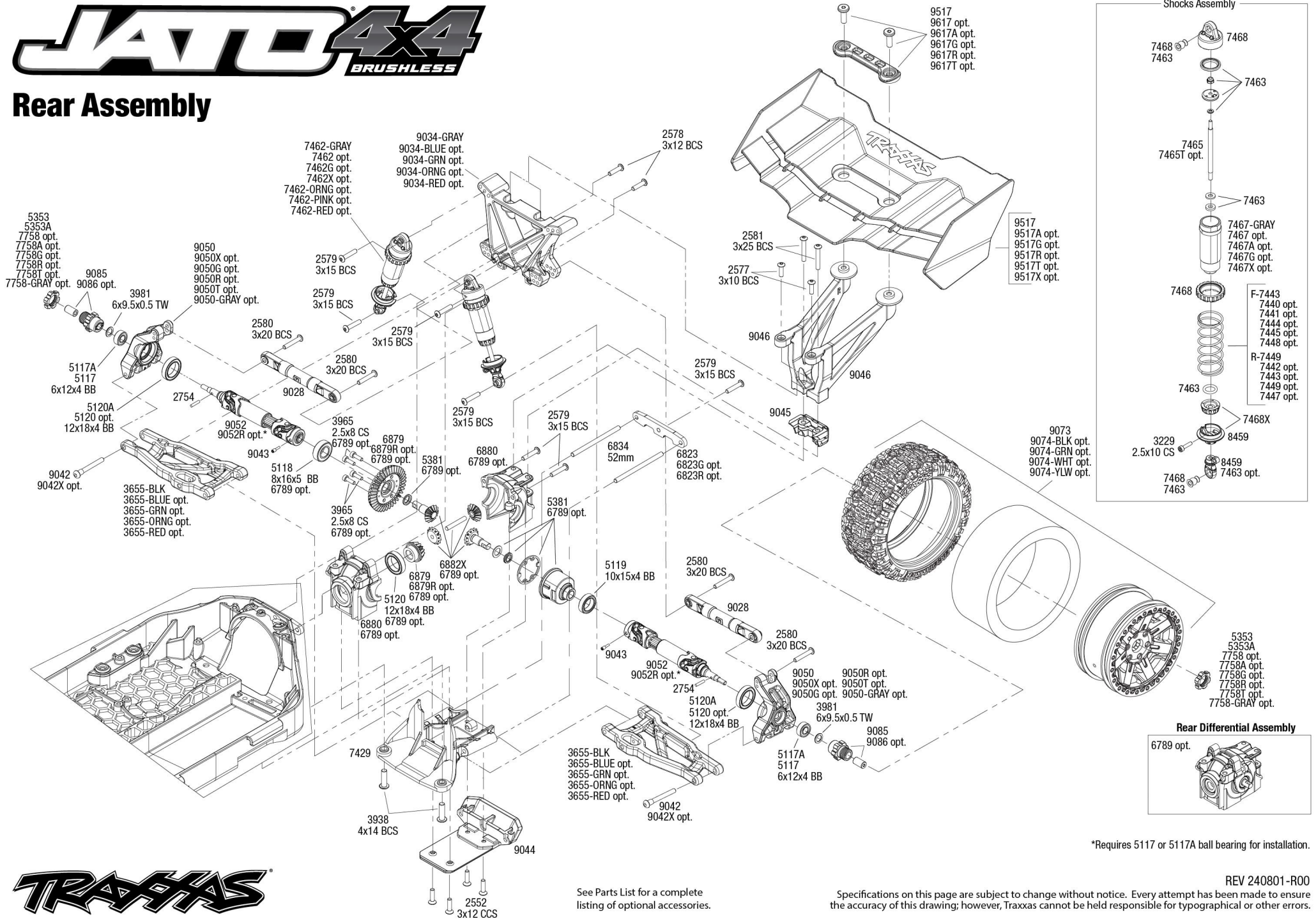
Specifications on this page are subject to change without notice. Every attempt has been made to ensure the accuracy of this drawing; however, Traxxas cannot be held responsible for typographical or other errors.



Front Assembly

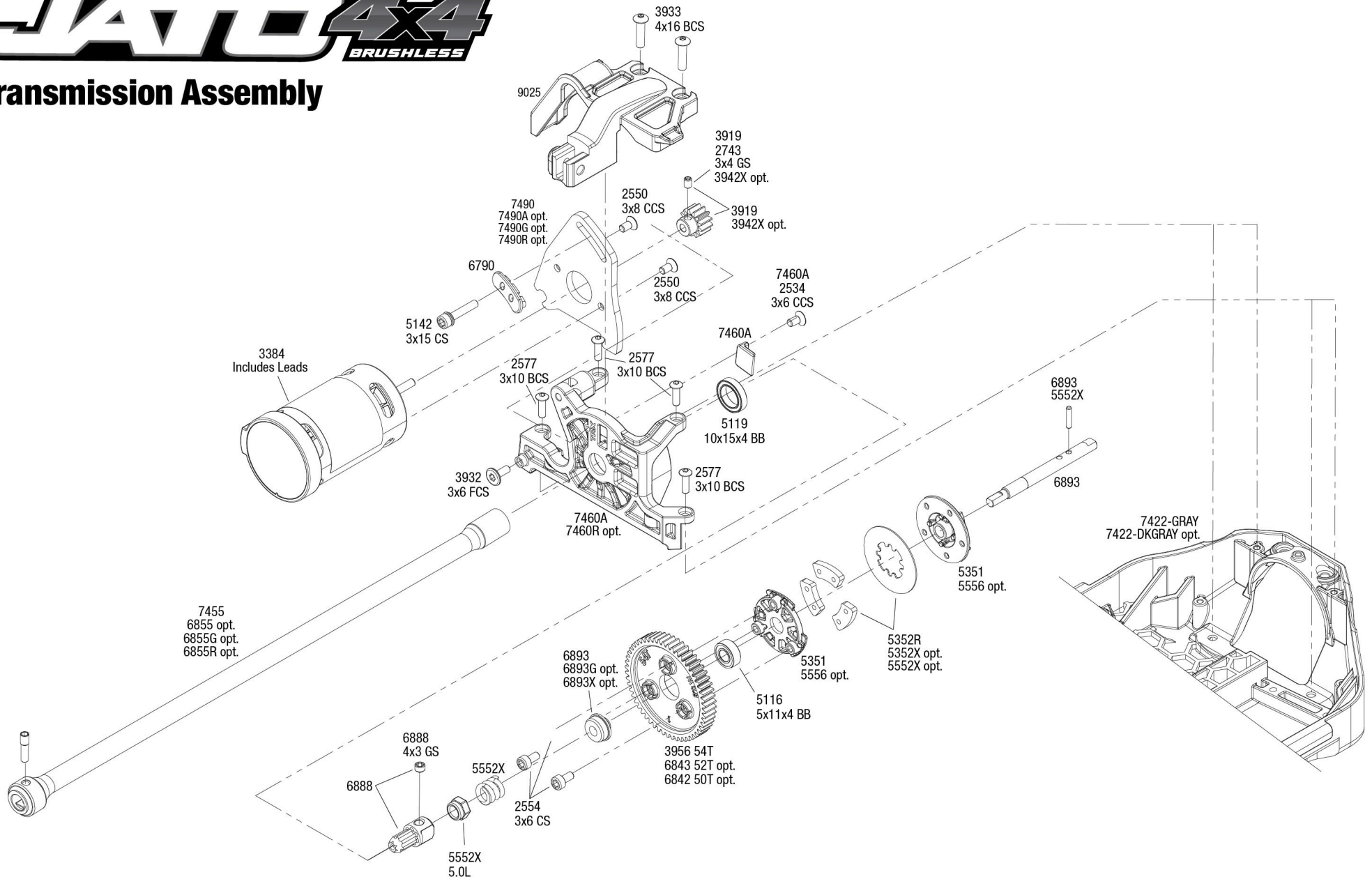


# Rear Assembly





# Transmission Assembly



See Parts List for a complete listing of optional accessories.

REV 240801-R00  
Specifications on this page are subject to change without notice. Every attempt has been made to ensure the accuracy of this drawing; however, Traxxas cannot be held responsible for typographical or other errors.