

INSTRUCTION MANUAL

THIS MODEL IS NOT A TOY!

THESE INSTRUCTIONS SHOULD BE READ BY A SUPERVISING ADULT

MAGIC VEE V5 2.4HGz RTR

ITEM NO. 8106

MAGIC CAT V5 2.4HGz RTR

ITEM NO. 8108

CONTENTS OF SET

1) Magic Vee V5 Racing Boat

OR

1) Magic Cat V5 Racing Boat

2) Transmitter

3) 6.4V 320mAh LiFePo4 Battery

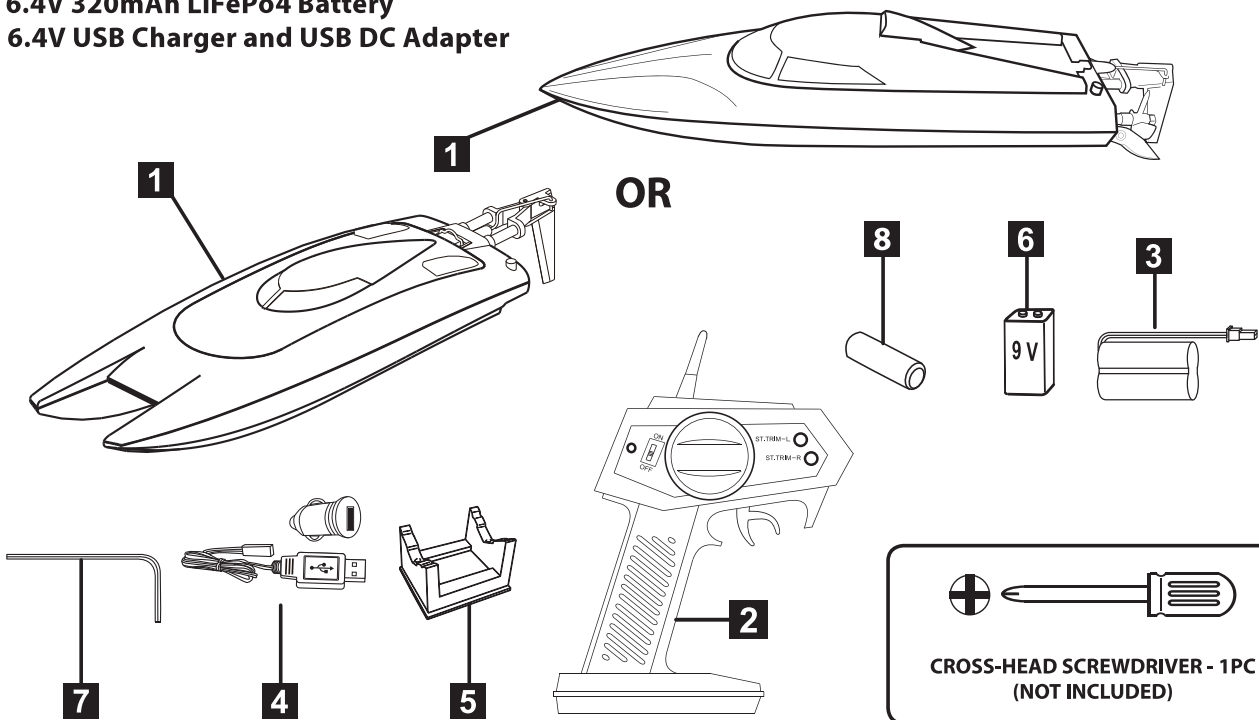
4) 6.4V USB Charger and USB DC Adapter

5) Boat Stand

6) 9V Dry battery (for Transmitter)

7) Allen Key (Only for Magic Vee Turn Fins)

8) Spare Silicone Coupler



ATTENTION:

Before racing your model boat, carefully check silicone tube for guarantee good water cooling system; Avoid water inlet on the bottom of hull become deformed, otherwise, water cooling system failure, this may lead to ESC burned out and motor defected.

IMPORTANT

Magic Vee V5 and Magic Cat V5 are compatible with this manual.

The Magic Series are designed for use in fresh water only. They are not designed for use in salt water!

The Magic Series is not intended for persons under 14 years of age, unless closely supervised by an adult.

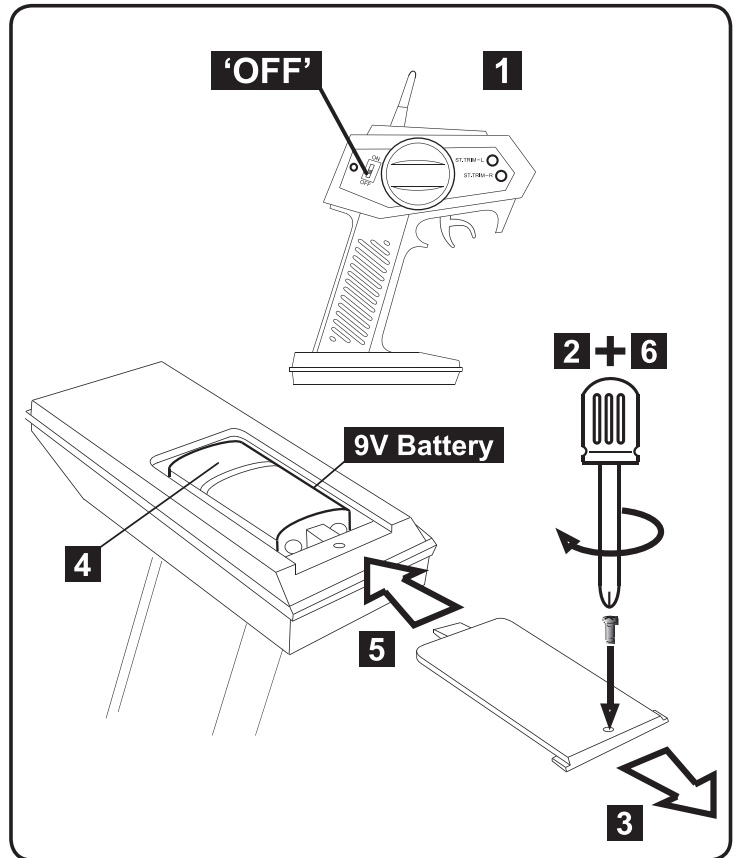
INSTALLING THE 9V DRY BATTERY IN YOUR TRANSMITTER

Always use a fresh 9V battery in the transmitter.

- 1) Ensure transmitter 'ON/OFF' switch is in the 'OFF' position.
- 2) Remove battery cover screw.
- 3) Remove battery cover by pressing down on the embossed arrow and sliding the cover as indicated.
- 4) Insert 9V battery, noting correct location (polarity + or -).
- 5) Slide battery cover back into place.
- 6) Re-fit battery cover screw.

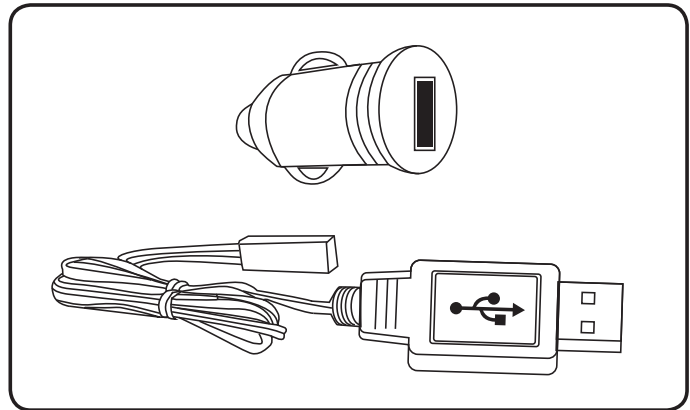
NOTE 1: The Magic Series are supplied with a start-up 9V dry cell battery. Once this battery is depleted, please replace it with another dry cell 9V battery (alkaline recommended) or fully charged 9V rechargeable battery. Remove 9V battery from the transmitter if you do not intend to use it for a period of time.

NOTE 2: When the transmitter battery (dry cell or rechargeable) is at the end of its life, it should be disposed of at an approved battery recycling centre. **DO NOT DISPOSE OF IT IN HOUSEHOLD WASTE!**



CHARGING THE 6.4V POWER PACK

- 1) Insert the USB charger into a USB port, or use the included 12V car adapter if you want to charge in the field.
- 2) Plug in the 6.4V LiFePo battery to the charger cable. An LED light will begin to blink in the base of the USB plug to indicate that the battery is charging.
- 3) A fully discharged battery will take about 80min to fully charge. Do not overcharge. Do not leave the battery unattended while charging.



- 4) The blinking LED light will turn solid when the charge is complete. Disconnect the 6.4V LiFePo battery from the charger.
 - The 6.4V LiFePo battery does not come pre-charged. You must fully charge the battery before using the boat
 - The 6.4V LiFePo battery can be re-charged many times before it needs to be replaced. When the battery no longer holds a charge (is dead), it should be properly recycled.

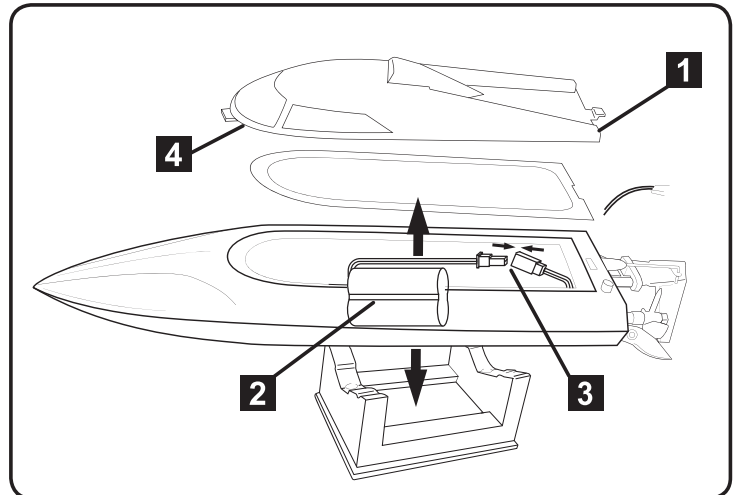
NOTE 1: The boat will typically run for about 8 min on a fully charged battery. As soon as you notice a drop off in speed, you should bring the model back to shore or you may lose control of the boat.

NOTE 2: Continuous running of the model will generate high heat levels, which will lead to premature wear on the motor. It is recommended to let the model cool down for about 5-10 min before installing a re-charged battery pack.

INSTALLING THE 6.4 V POWER PACK IN THE MAGIC SERIES

(Model should be placed on its supplied boat stand)

- 1) Remove the Magic Series's upper deck by pulling carefully on the catch at its rear section.
- 2) Insert the 6.4V Power Pack into the left side of the hull.
- 3) Attach the 6.4V Power Pack's connector to the matching connector in the Magic Series. Do not force them together - they only attach one way!
- 4) Re-position the upper deck.



- NOTE:** 1. There is a water proof rubber ring placed along the slot of hull, always make sure it's secured positioned before re-position the upper deck.
2. It is suggested that don't leave the rubber ring in the slot of hull. Remove the rubber ring when not racing the boat, so as to keep the rubber ring flexible for water proof effective.

TRANSMITTER/RECEIVER BINDING

The binding process effectively ties the transmitter and receiver together. Under normal circumstances, both items are supplied like this from the factory. If, however, you find that your transmitter and receiver are not bound (receiver's red LED is on), you should do the following:

- 1) Switch "ON" the transmitter.
- 2) Switch "ON" the receiver by Attaching 6.4V power pack's connector to the matching connector in the Magic Series boat.
- 3) Press down the "BIND" button on the receiver, the receiver's green LED will be on to indicate that binding has been successful and the receiver will now accept commands from the transmitter.

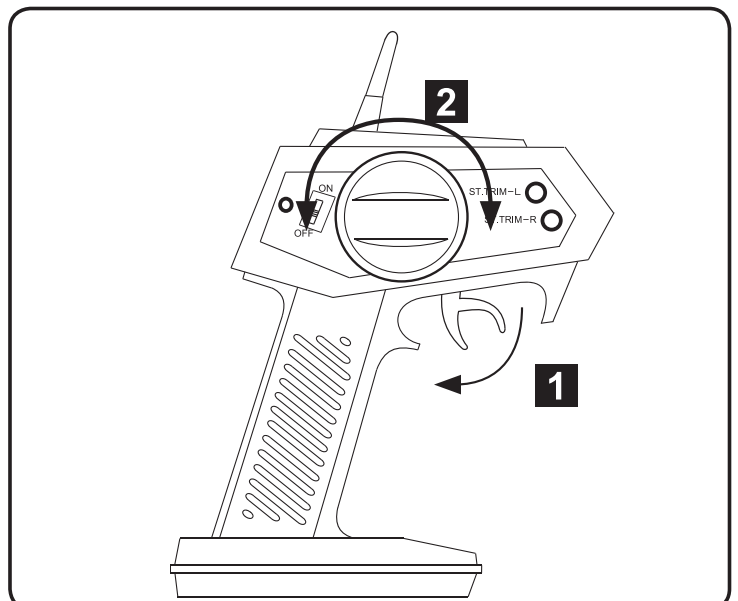
Note 1: During binding process, transmitter and receiver should be no more than one meter apart and no other similar devices should be within 10 meters.

Note 2: if the green light flashing, showing the binding failure, please do again as above indication.

HOW TO CONTROL/OPERATE YOUR MAGIC SERIES

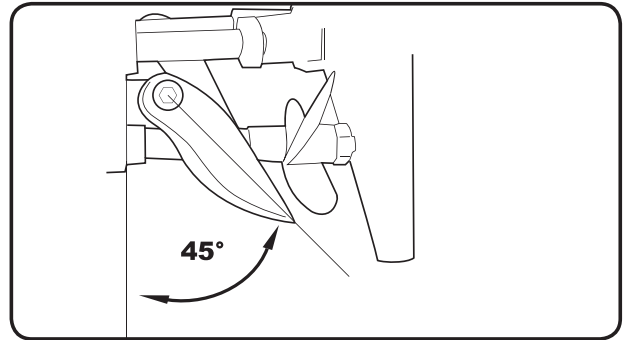
- 1) **Forward Throttle Trigger**
Your Magic Series can be driven forward by pulling the throttle trigger. Release the trigger and the Series Vee will stop.
- 2) **Left/Right Steering Wheel**
The steering wheel controls the Magic Series's left and right movement. Turn the wheel to the left to steer to the left. Turn the wheel to the right to steer to the right. Release the wheel to go straight.

Racing Tip: The Magic Series is an oval racer, designed for clockwise racing, and will be less responsive to steering inputs at high speed, particularly left turns. Decrease your speed to allow tighter turning.



TURN FINS

The Magic Vee features adjustable turn fins to aid in turning. These can be adjusted using the included Allen key. The optimum angle of adjustment is 45 degrees to the hull.



DRIVING YOUR MAGIC SERIES

- 1) Switch 'ON' the transmitter. Check that the transmitter's red LED glows brightly.
- 2) Check that the Magic Vee's turn fins are adjusted correctly.
- 3) Switch 'ON' the Magic Series's (connect the 6.4V Power Pack).
- 4) Check that the propeller and the rudder respond to transmitter inputs before placing the Magic Series on the water.

AFTER USE

- 1) When you have finished using your Magic Series, you should first switch 'OFF' the model (disconnect the 6.4V Power Pack), then switch 'OFF' your transmitter.
- 2) Remove all batteries from the transmitter and model.
- 3) Leave the Magic Series's upper deck off to allow moisture to evaporate. Ideally, place the model in this way in a warm and dry place, like an airing cupboard, until you are sure it is dry and then store it away.

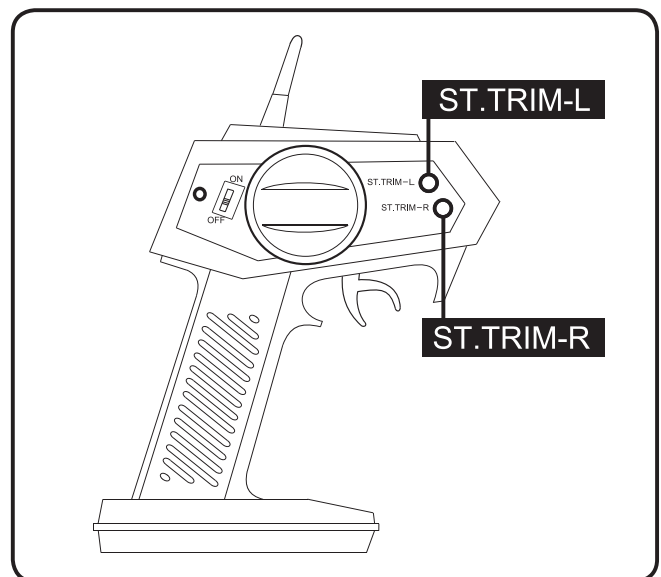
NOTE: If the Magic Series begins to bob when running, it may have taken on an excessive amount of water. In this case, you should immediately return to shore, remove the upper deck and drain the water from the hull.

IF THE MAGIC SERIES DO NOT RUN IN A STRAIGHT LINE

If your Magic Series do not run in a straight line when not being steered, you can adjust it by using the steering trim located on the upper right hand side of the transmitter.

- 1) Run your Magic Series on calm water when adjusting the steering. If your model runs to the right when not being steered, press the "ST.TRIM-L" button. Re-center the model and see if this has corrected the problem. Keep making small adjustments in this way until the model runs straight.

Press the "ST.TRIM-R" button to correct if your model steers to the left without being steered in the same way as detailed above.

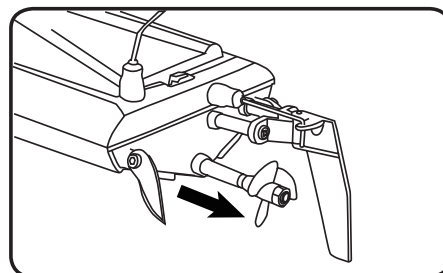
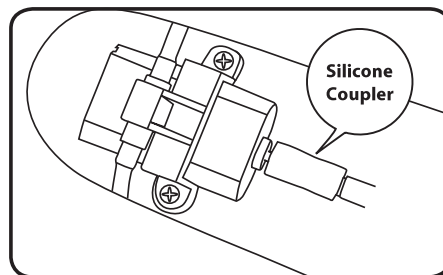


LUBRICATING DRIVE SHAFT

Lubricating the flexshaft is vital to the life of the drivetrain. The lubricant also acts as a water seal, keeping water from entering the hull through the stuffing tube. It is recommended to lubricate the flexshaft, propeller shaft after every 2 or 3 times of operation.

1. Use one hand to hold the silicone coupler tight, while other hand to pull the propeller shaft out from the stuffing tube.
2. Lubricate the flexshaft w/ prop shaft with the water proof marinegrease, reinstall the flexshaft w/ prop shaft in reverse order, be sure to push the flexshaft end into the silicone coupler for fully connection.

NOTE: After several times of pulling the flexshaft out from the silicone coupler, the silicone coupler might lose flexibility that make the connection of flexshaft end not good. Once this happens, It is suggested to replace the silicone coupler with new one, which is supplied in the kit bag.



CAUTION!

Please observe the following warnings.

DURING OPERATION

- The transmitter's range will vary depending on your surroundings and battery strength. Do not operate Magic Series too far away or control will be lost.
- Ensure that all batteries are correctly installed and that the 6.4V Power Pack is fully charged.
- Do not touch moving parts during operation, especially the propeller.
- If you lose control of your Magic Series, never wade into deep water or water with strong currents to retrieve it. First, hold the transmitter as high as you can to try to re-establish control. If this does not work, find another way to move closer to the model, but do not endanger yourself in the process!

CARE WITH RECHARGEABLE BATTERIES (THE POWER PACK)

Care must be taken when handling rechargeable batteries (the Power Pack) to avoid the possibility of injury and/or damage to property. Do not short circuit, disassemble or incinerate rechargeable batteries. It is very dangerous to disregard these warnings.

GENERAL INFORMATION FOR THE SAFE OPERATION OF YOUR MAGIC SERIES

Please follow these simple rules to ensure safe operation and gain the maximum enjoyment from your model.

- Avoid overloading your model. Never run it in areas where its movement will be restricted, e.g. areas where there is pond weed, etc., as this can over stress the motor.
- Ensure nothing prevents the smooth running of moving parts.
- Do not run your model in confined spaces.
- Never run your model in a public space where it might upset or endanger people or wildlife.
- Immediately switch 'OFF' your model and transmitter if you see lightning or hear thunder. Never use your model in the rain.

Do not dismantle or tamper in any way with this R/C vehicle and its transmitter. The manufacturer and distributor will accept no responsibility, expressed or implied, for accidents or injuries caused as a result of disassembly, modification and/or usage against the Instructions for this product.


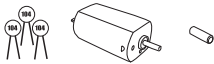


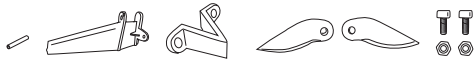


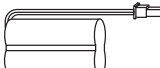
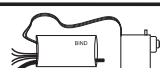




Tampering or modification will also invalidate the guarantee.

TROUBLE SHOOTING

Check using the chart below before returning your Magic Series for repair as many problems can be easily solved.

PROBLEM	CAUSE	REMEDY
Model will not move	No battery in transmitter/model Battery installation is incorrect Weak battery in transmitter Weak batteries in model	Install batteries Install batteries correctly Install a fresh battery Recharge 6.4V Power Pack
No control of model	Weak battery in transmitter	Install a fresh battery
Limited radio range	Weak battery in transmitter	Install a fresh battery

SPARE PARTS

ITEM No	ITEM NAME	PHOTO
81001D	Magic Vee Hatch(white)/Rubber Ring-V3	
81002	180 Motor-vee & cat	
81003	Flex Shaft-vee & cat	
81004	3 Blade Propeller (Pk2)-vee & cat	
81005	Rudder & Turn Fins-Magic vee	
81008D	Magic Cat Hatch(black)/Rubber Ring-V3	
81009	Rudder-Magic Cat	
810604	6.4V 320mAh LiFePo Battery	
81019	ESC,Receiver,Servo Set for V3 Version	
81020	2.4GHz Transmitter for V3 Version	
81021	Deck tie down (PK2)	
810602	Rubber driveshaft coupler(PK2)	
810605	USB charger & USB DC power adapter	

FC **CE** **RoHS**



FCC WARNING: Changes or modifications not expressly approved by the party responsible for compliance could avoid the user's authority to operate the equipment.