

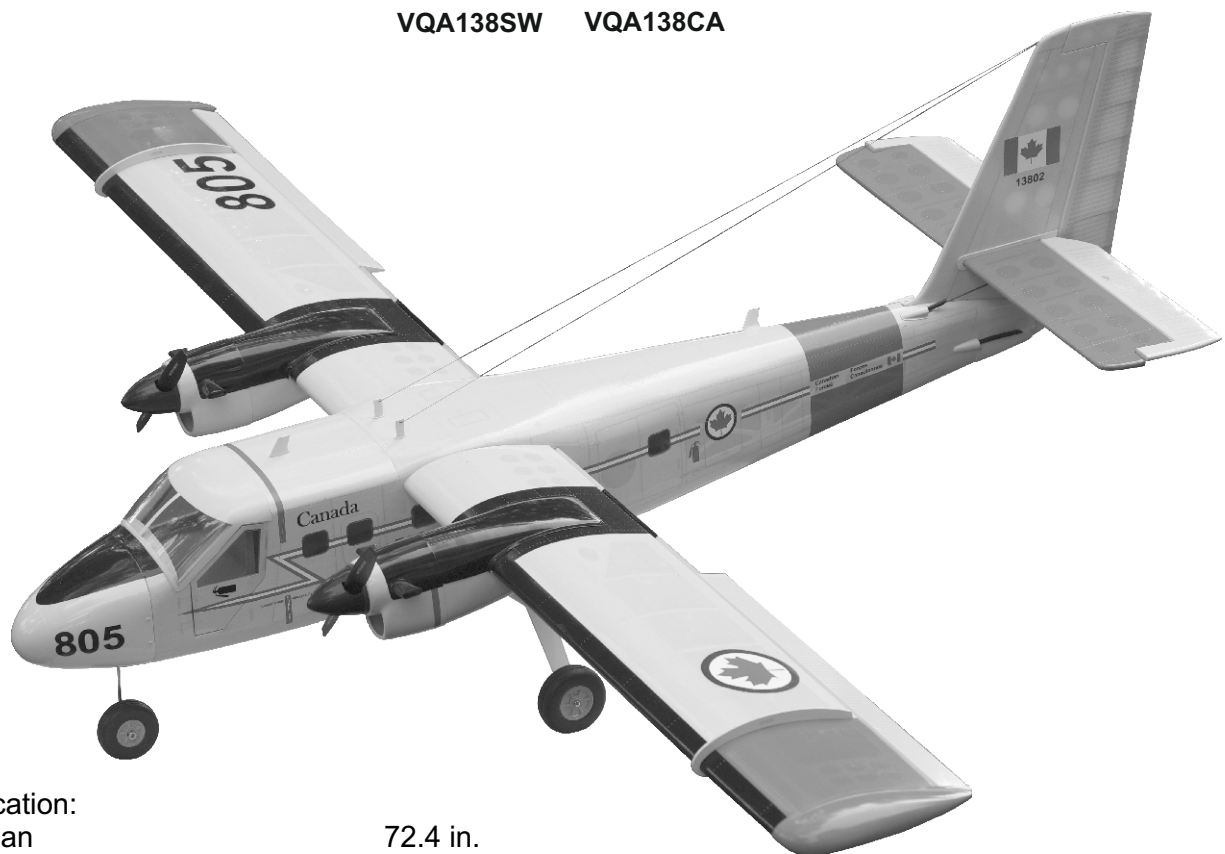
# DHC-6

## Twin Otter

RADIO CONTROL MODEL / RC FLUGMODELL

### BUILDING INSTRUCTIONS / MONTAGEANLEITUNG

VQA138SW VQA138CA



Specification:

Wingspan	72.4 in.
Length	54.1 in. (Canada version) 56.5 in. (Swiss version)
Flying weight	7.5 lbs
Motor	See next pager
Radio	See next pager

Technische Daten:

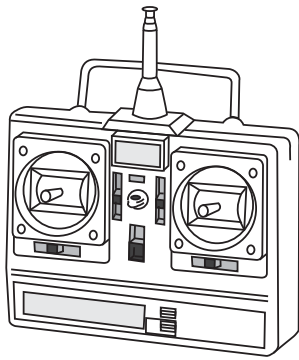
Spannweite	1.840mm
Länge	1.375mm (Canada version) 1.435mm (Swiss version)
Fluggewicht	3.400g
Verbrennerantrieb	# C9493 Antriebsset Brushless f.
Fernsteuerung	# C8802 Fernsteuerung GigaProp 6



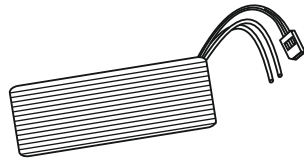
**WARNING!** This radio controlled model is NOT a toy. If modified or flown carelessly it could go out of control and cause serious human injury or property damage. Before flying your airplane, ensure the air field is spacious enough. Always fly it outdoors in safe areas and seek professional advice if you are unexperienced.

**ACHTUNG!** Dieses ferngesteuerte Modell ist KEIN Spielzeug! Es ist für fortgeschrittene Modellflugpiloten bestimmt, die ausreichende Erfahrung im Umgang mit derartigen Modellen besitzen. Bei unsachgemäßer Verwendung kann hoher Personen- und/oder Sachschaden entstehen. Fragen Sie in einem Modellbauverein in Ihrer Nähe um professionelle Unterstützung, wenn Sie Hilfe im Bau und Betrieb benötigen. Der Zusammenbau dieses Modells ist durch die vielen Abbildungen selbsterklärend und ist für fortgeschrittene, erfahrene Modellbauer bestimmt.

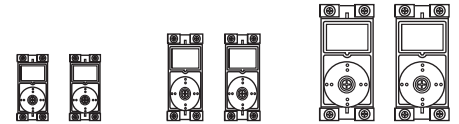
## Sonderzubehör (empfohlen) / Optional Accessories (recommended):



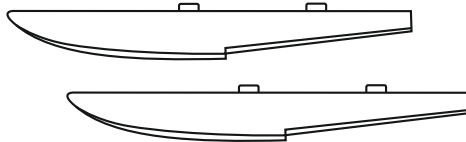
# C8802 Fernsteuerung GigaProp 6  
Radio Set GigaProp 6



# C6788 LiPo Akku RED POWER 4500-11.1V

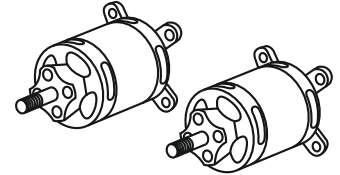


2x # C5185 MASTER SERVO S2112  
2x # C5638 MASTER SERVO S3012MG  
2x # C1687 MASTER SERVO S4020



Schwimmer Set für Twin Otter  
Floats kit for Twin Otter

# C9278 gelb / yellow  
# C9278 weiss / white

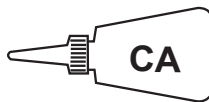


# C9493 Antriebsset Brushless f.  
Twin Otter  
Brushless Power Set for Twin Otter

Infos und Bezugsmöglichkeiten:  
[www.pichler-modellbau.de](http://www.pichler-modellbau.de)

### GLUE (Purchase separately)

Klebstoffe sind separat erhältlich  
(nicht im Lieferumfang)



# X3572  
Zoom CA  
Cyanoacrylate Glue (thin type)



# X3598-120  
5-Min Epoxy

### TOLLS REQUIRED (Purchase separately)

Hobby knife

Phillip screw driver

Hex Wrench

Needle nose Pliers

Scissors

Awl

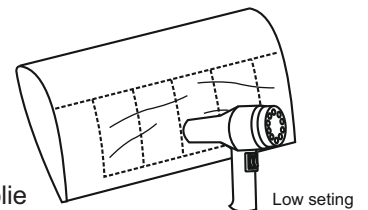
Sander

Wire Cutters

Masking tape - Straight Edged Ruler - Pen or pencil - Drill and Assorted Drill Bits

If exposed to direct sunlight and/or heat, wrinkles can appear. Storing the model in a cool place will let the wrinkles disappear. Otherwise, remove wrinkles in covering film with a hair dryer, starting with low temperature. You can fix the corners by using a hot iron.

Bei Sonneneinstrahlung und/oder Wärme kann die Folie erschlaffen bzw. Falten entstehen. Verwenden Sie ein Warmluftgebläse (Haartrockner) um evtl. Falten aus der Folie zu bekommen. Die Kanten können Sie mit einem Bügeleisen behandeln. Nicht zuviel Hitze anwenden!



Symbols used throughout this instruction manual, comprise:

Drill holes using the stated size of drill (in this case 1.5 mm)

Take particular care here

Hatched-in areas: remove covering film carefully

Check during assembly that these parts move freely, without binding

Use epoxy glue

Apply cyano glue

Assemble left and right sides the same way.

Not included. These parts must be purchased separately

Löcher bohren mit dem angegebenen Bohrer (hier 1,5 mm)

Hier besonders aufpassen

Schraffierte Stellen, Bespannfolie vorsichtig entfernen

Während des Zusammenbaus immer prüfen, ob sich die Teile auch reibungslos bewegen lassen

Epoxy-Klebstoff verwenden

Sekundenkleber auftragen

Linke und rechte Seite wird gleichermaßen zusammgebaut

Nicht enthalten. Teile müssen separat gekauft werden.

Read through the manual before you begin, so you will have an overall idea of what to do.

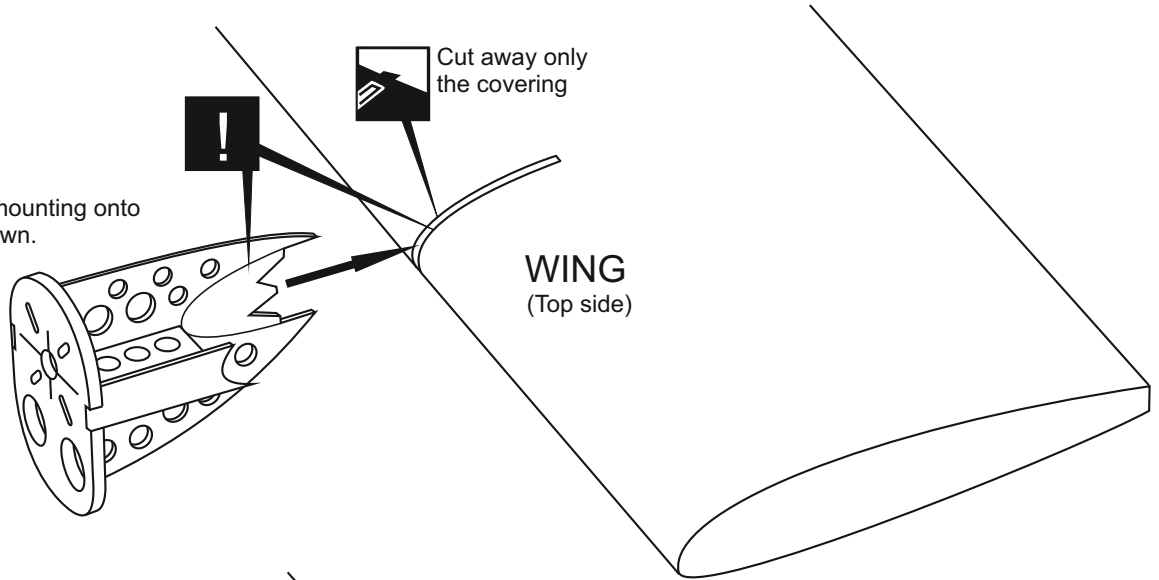
### CONVERSION TABLE

1.0mm = 3/64"	3.0mm = 1/8"	10mm = 13/32"	25mm = 1"
1.5mm = 1/16"	4.0mm = 5/32"	12mm = 15/32"	30mm = 1-3/16"
2.0mm = 5/64"	5.0mm = 13/64"	15mm = 19/32"	45mm = 1-51/64"
2.5mm = 3/32"	6.0mm = 15/64"	20mm = 51/64"	

# 1- Motor mount

## 1A

Carefully, push the Motor mounting onto the slot on the wing as shown.



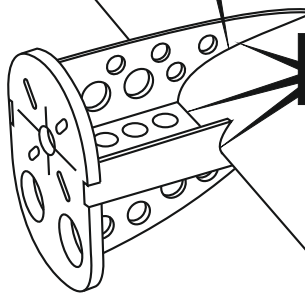
WING  
(Top side)



Check the mark on the motor mounting with the surface of the wing before glue.

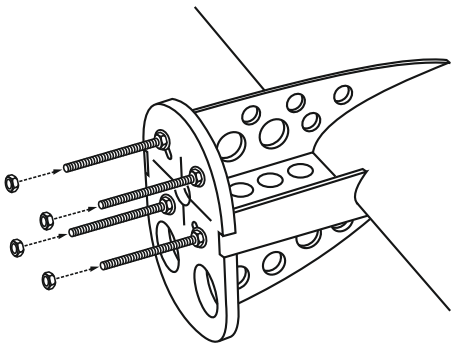
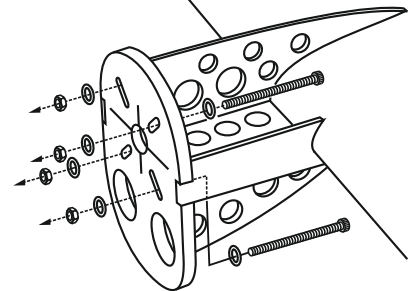
## 1B

Using the thin CA glue

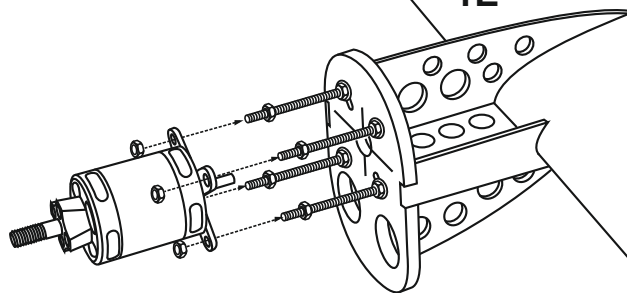


WING  
(Top side)

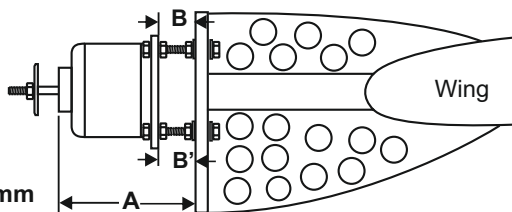
## 1C



## 1E

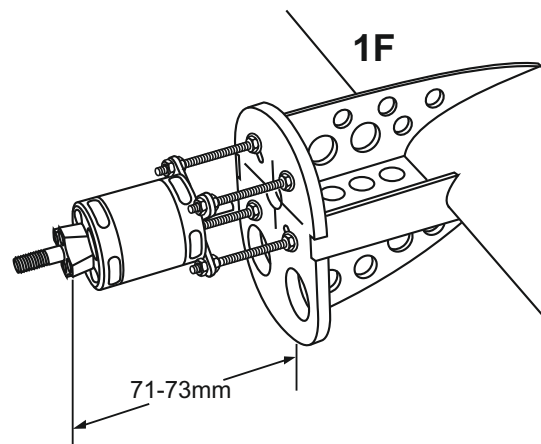





MOTOR MOUNT - SIDE VIEW



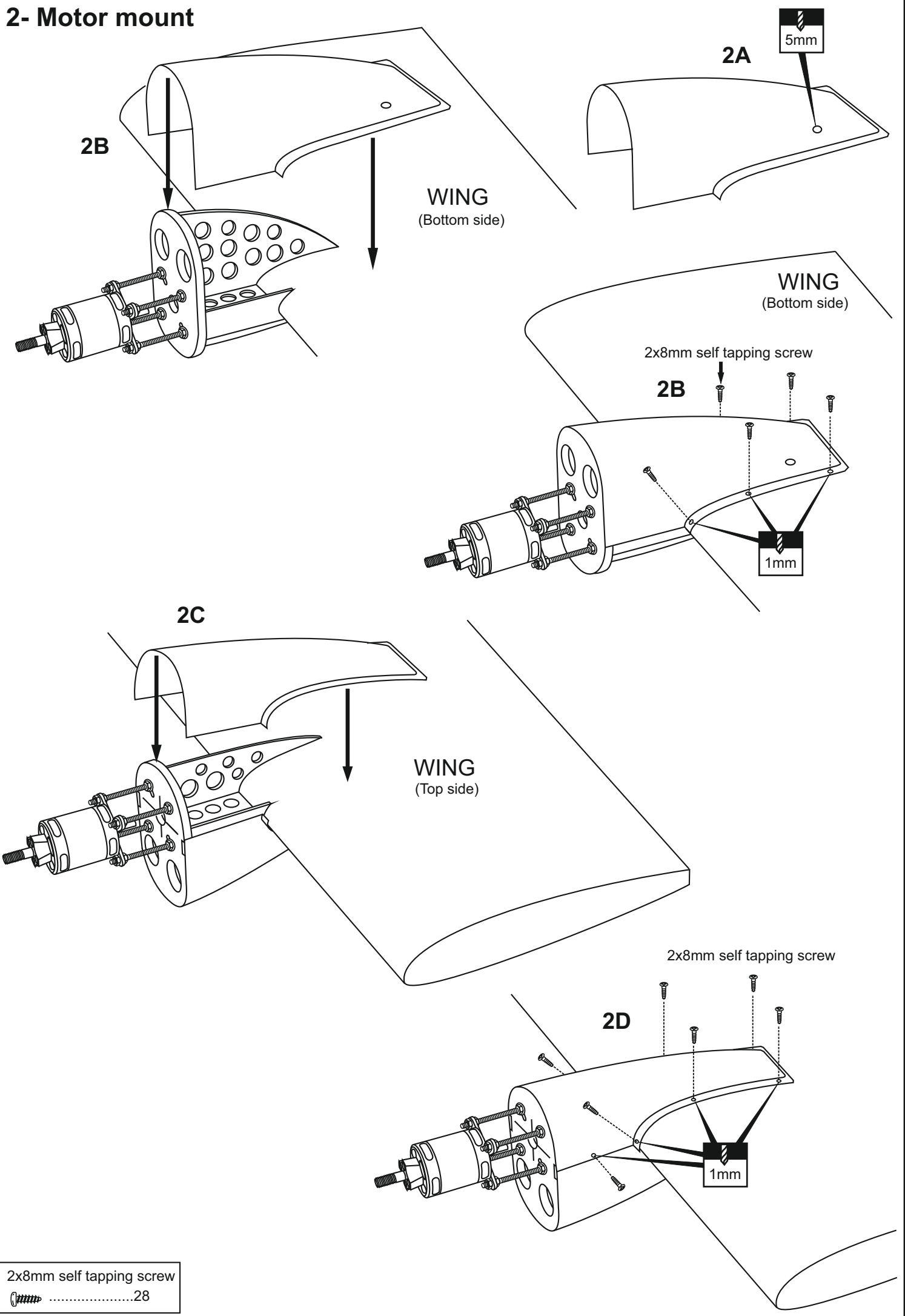
B=B'  
A= 71-73mm

## 1F



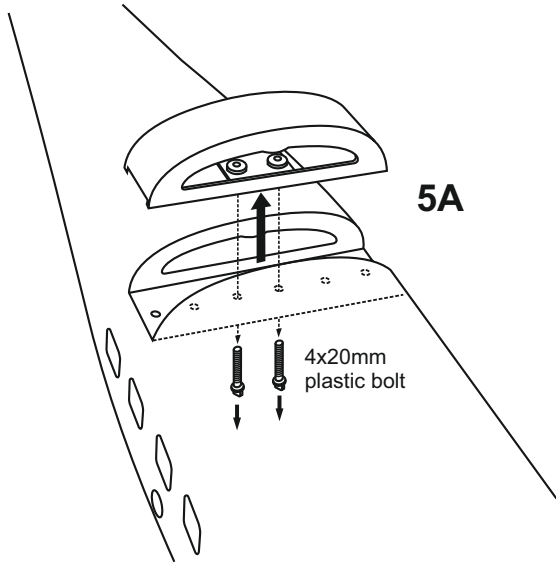
-  3x35mm screw...4
-  3mm nut.....12
-  3mm washer.....8

## 2- Motor mount





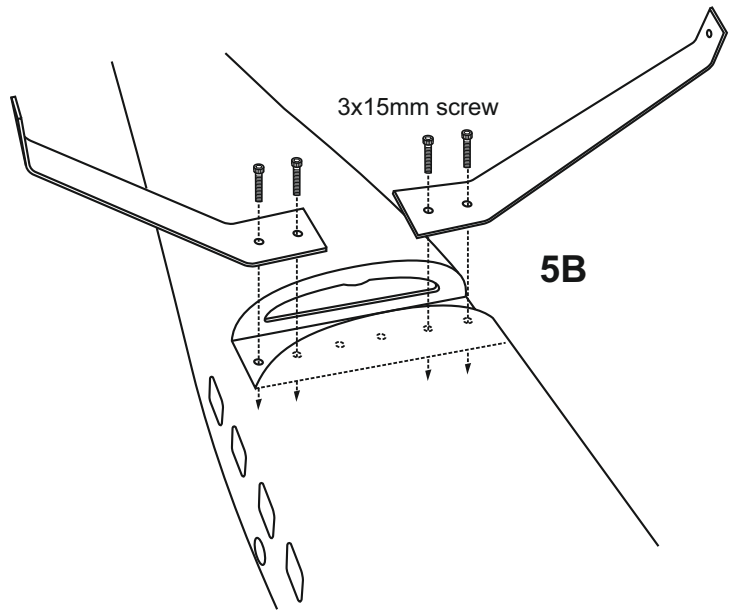
# 5- Main landing gear



5A

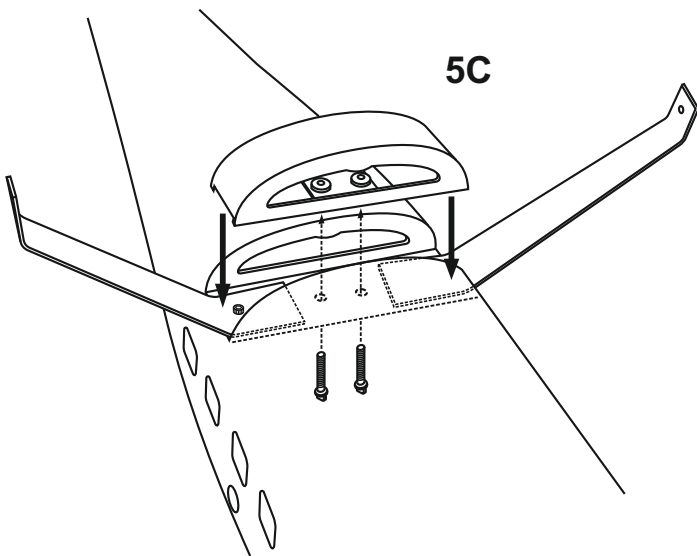
4x20mm plastic bolt

Turn the 4x20mm plastic bolt inside the fuselage and move the landing gear hatch.

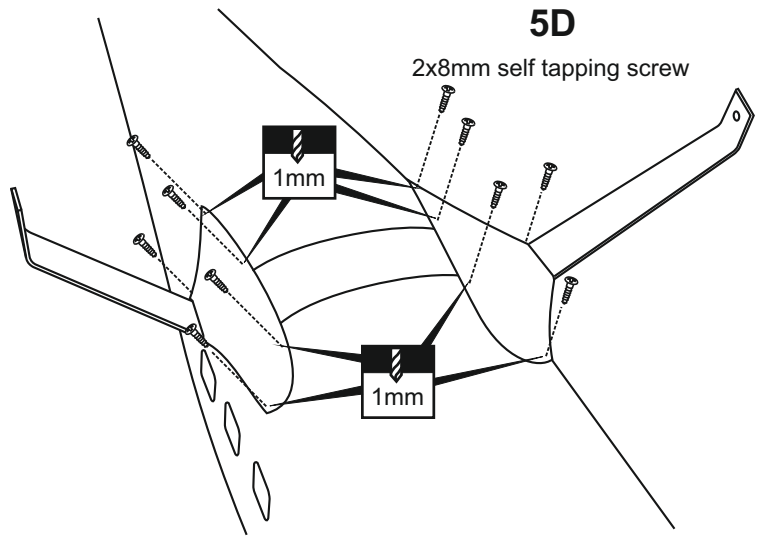


5B

3x15mm screw



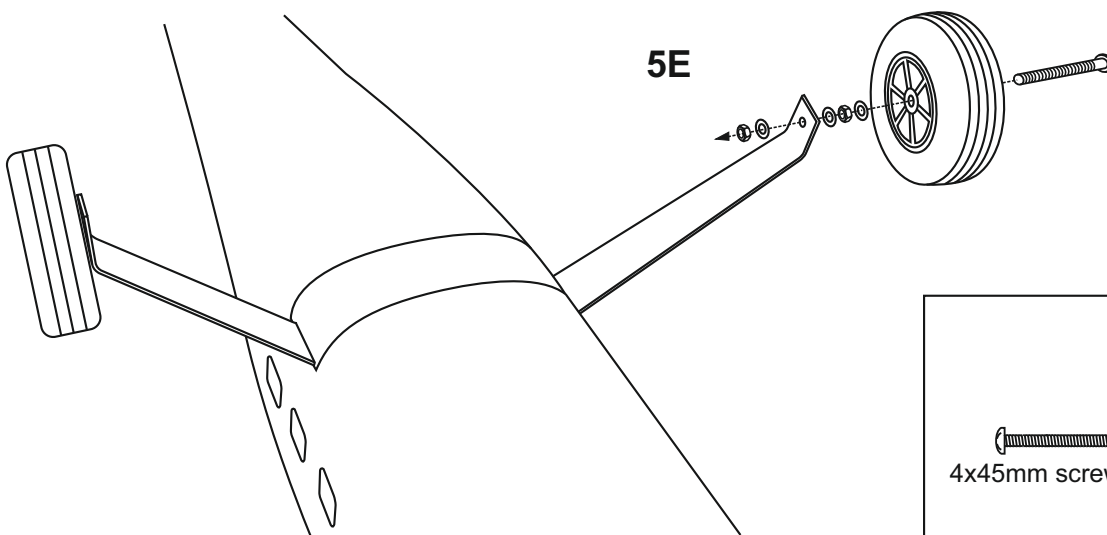
5C



5D

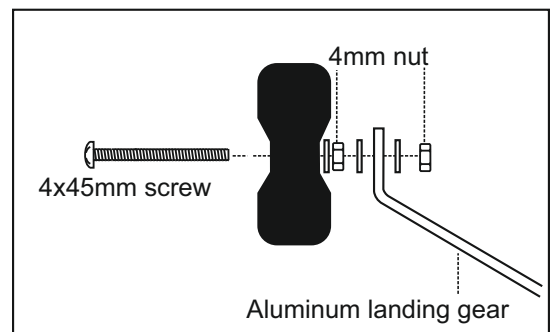
2x8mm self tapping screw

Slide the ABS landing gear cover onto the aluminum landing gear and secure it in place using 2x8mm self tapping screws.



5E

3x15mm screw	.....4
2x8mm self tapping screw	.....10
4x45mm screw	.....2
4mm nut	.....4
4mm washer	.....6

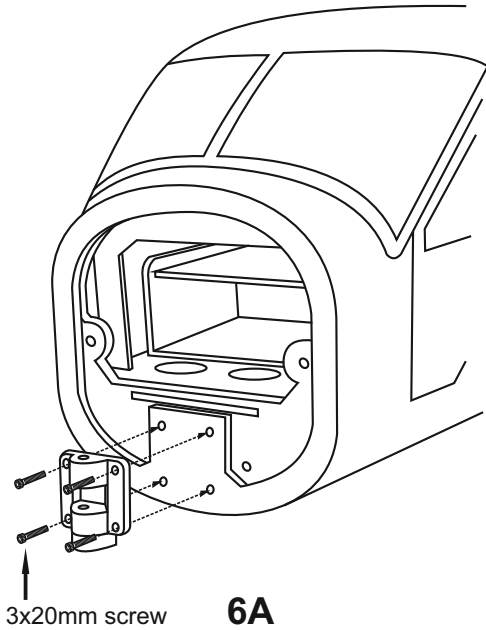


4x45mm screw

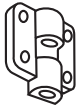

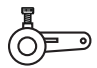
4mm nut

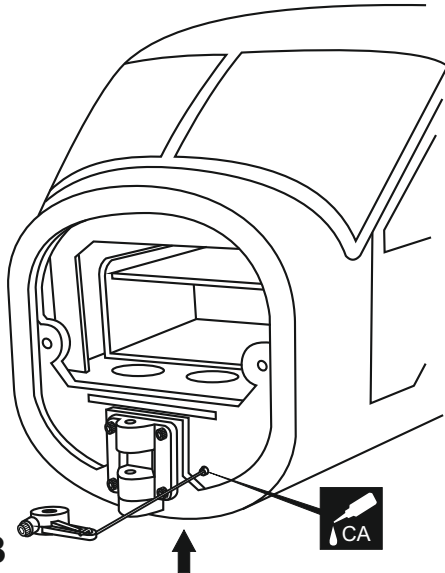
Aluminum landing gear

# 6- Nose landing gear

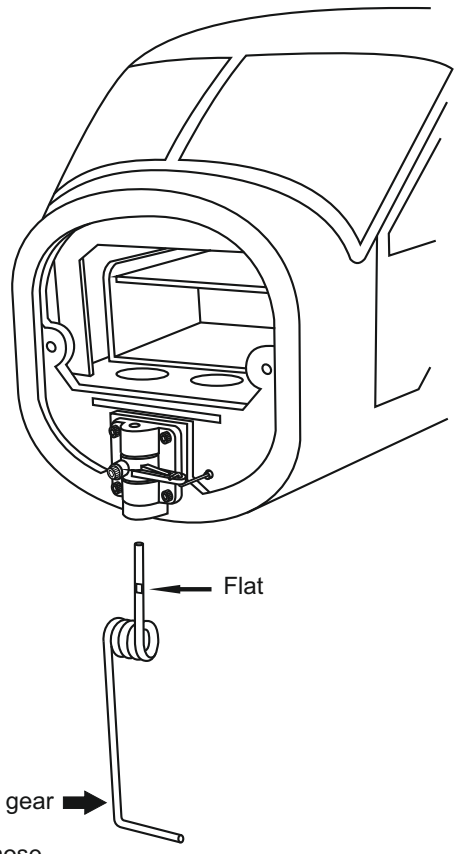


**6A**  
 Attach the nose gear mount onto the fire-wall and secure it in place using four 3x20mm screws.

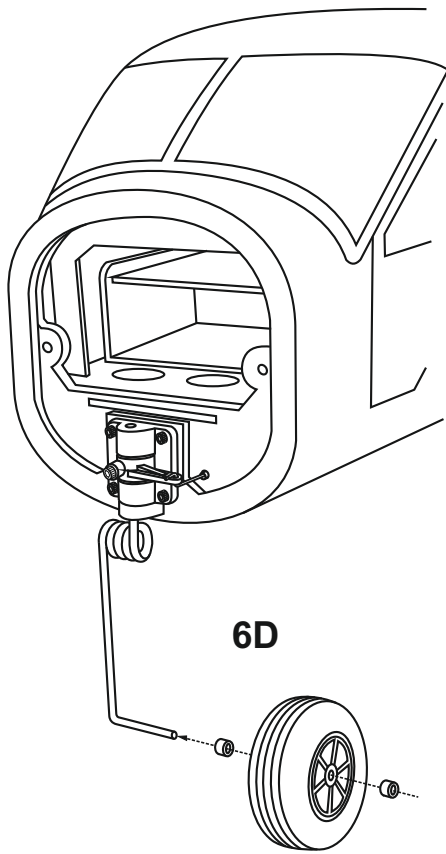
-  Nose gear mount .....1
-  3x20mm screw...4
-  Steering arm...1



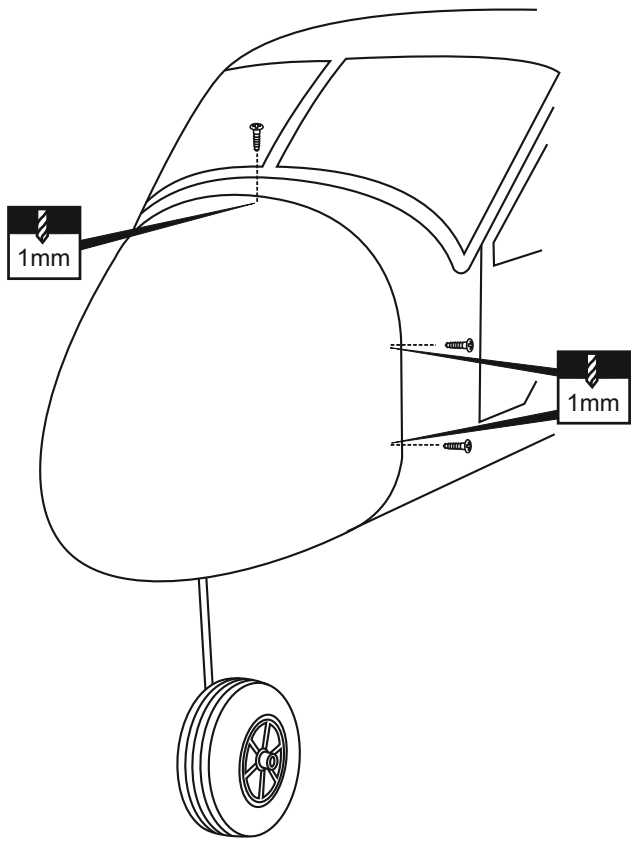
**6B**  
 Route the steering linkage into the fuselage and through the fire-wall.  
 Glue the outer tube in place as shown.  
 Insert "Z" bend of steering linkage into the hole of steering arm.





**6C** Slide the nose landing gear through the nose gear mount and steering arm with the flat to front. Tighten the screw of the steering arm to the nose landing gear.



**6D**



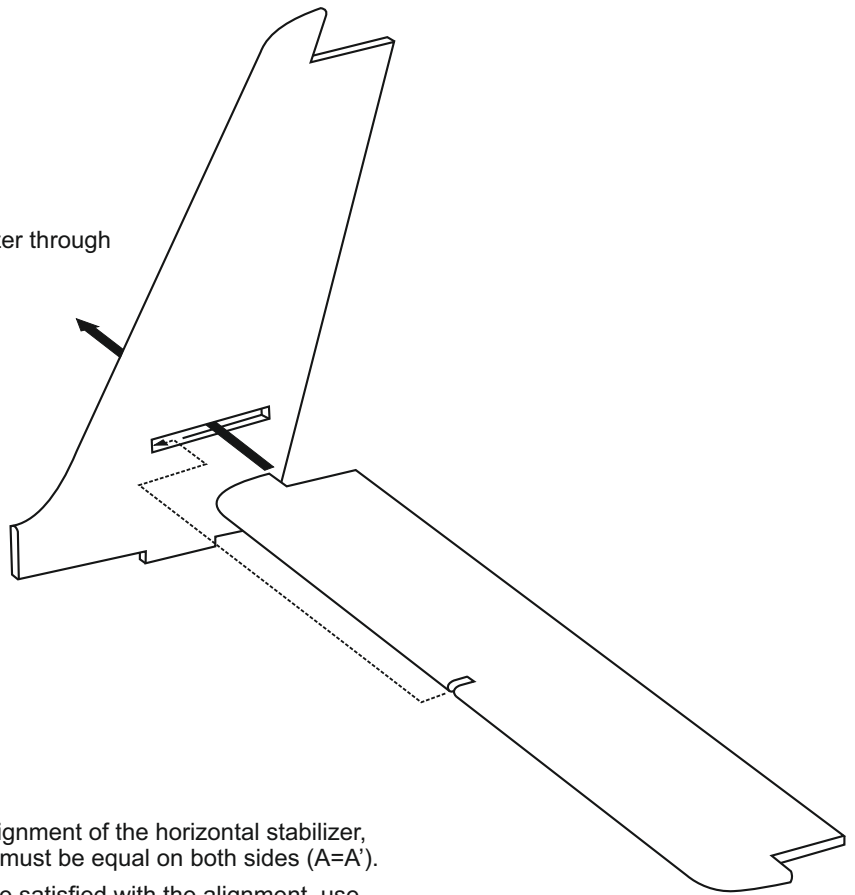
**6E**  
 Attach the fiberglass dome to the fuselage and secure it in place using 2x8mm self tapping screws.

- 4mm collar
-  .....2
- 2x8mm self tapping screw
-  .....5

## 7- Stabilizer

### 7A

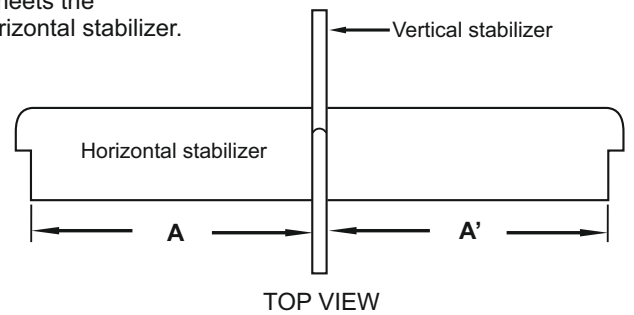
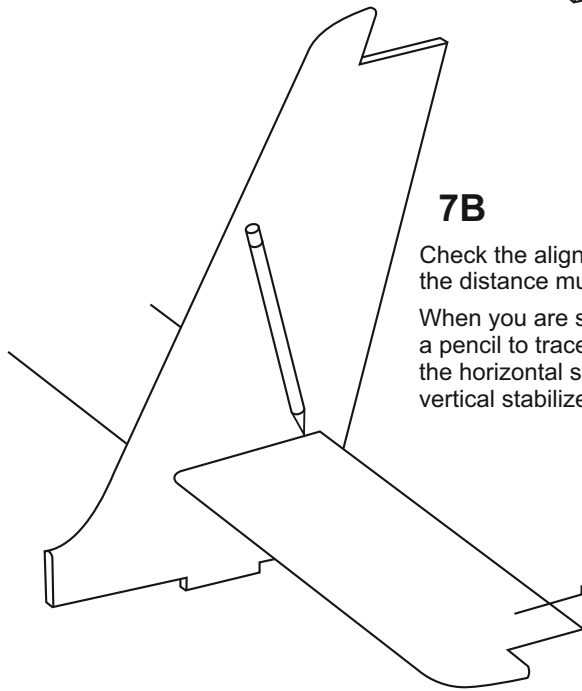
Slowly, slide the horizontal stabilizer through the vertical stabilizer.



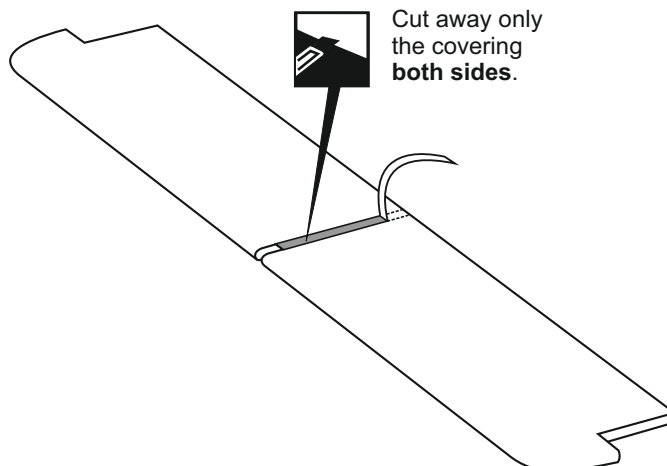
### 7B

Check the alignment of the horizontal stabilizer, the distance must be equal on both sides ( $A=A'$ ).

When you are satisfied with the alignment, use a pencil to trace around the top and bottom of the horizontal stabilizer where it meets the vertical stabilizer. Remove the horizontal stabilizer.



**7C** Remove the horizontal stabilizer from the vertical stabilizer. Using a straight edge and a sharp hobby knife, carefully cut away the covering **inside the lines** which were marked above. Be cautious **not to cut into the wood**-this will weaken the structure.

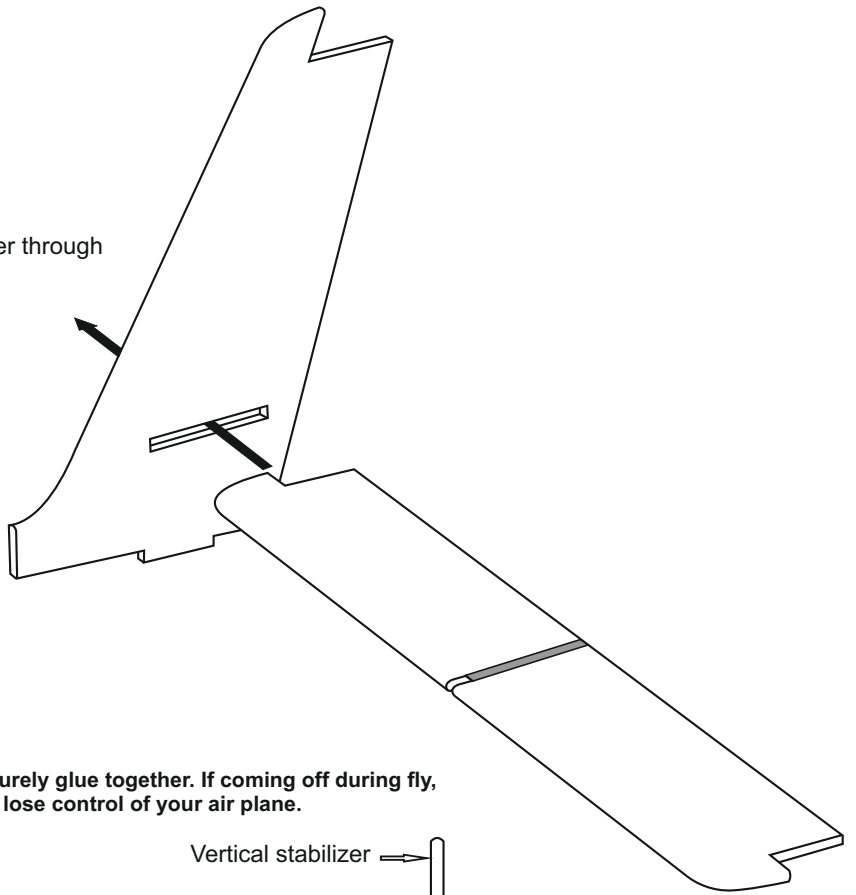




## 8- Stabilizer Continued

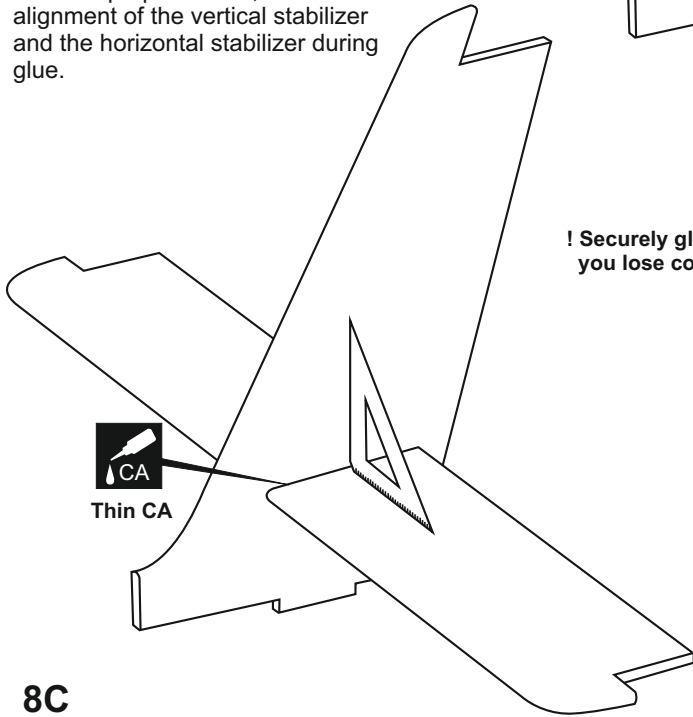
### 8A

Again, slide the horizontal stabilizer through the vertical stabilizer.

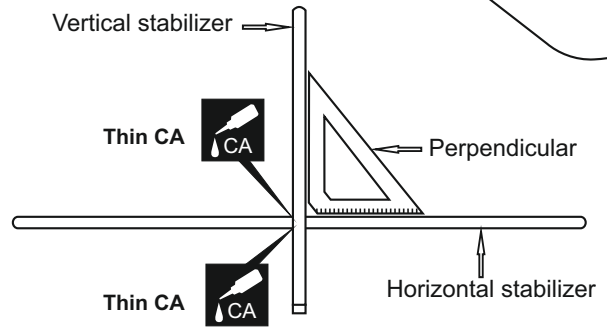


### 8B

With the perpendicular, check the alignment of the vertical stabilizer and the horizontal stabilizer during glue.

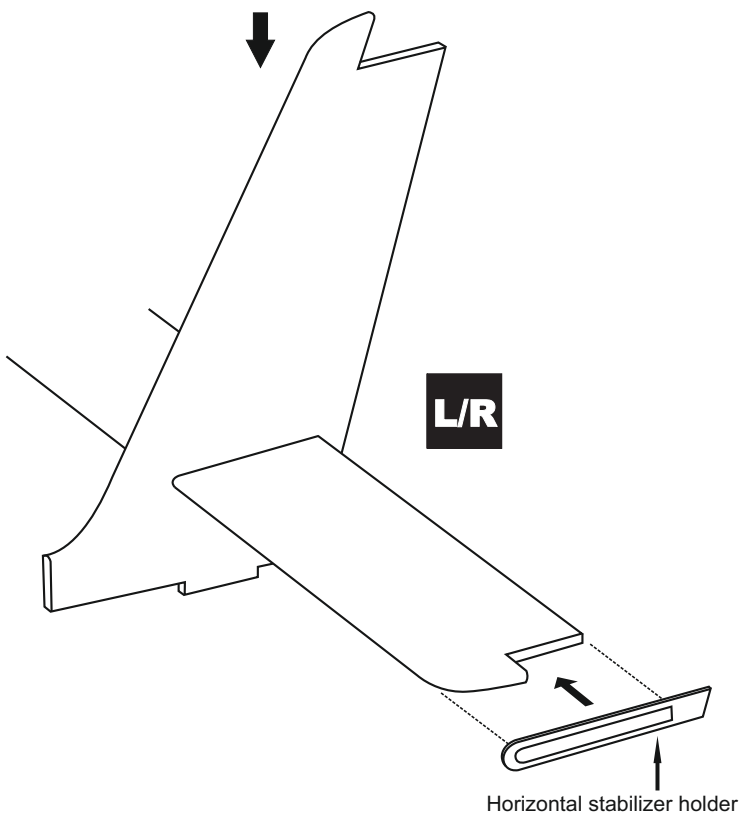


**! Securely glue together. If coming off during fly, you lose control of your air plane.**



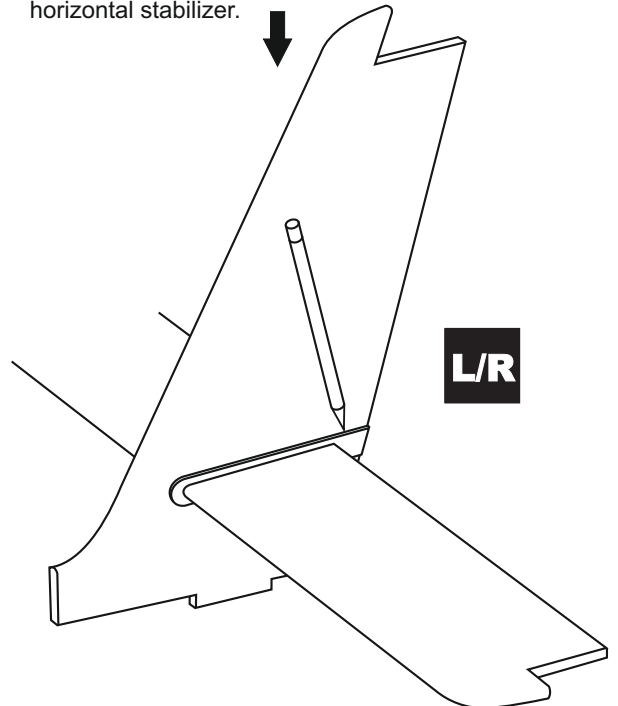
### 8C

Slide the horizontal stabilizer holder onto the horizontal stabilizer as shown.



### 8D

When you are satisfied with the alignment, use a pencil to trace around the top and bottom of the horizontal stabilizer holder where it meets the vertical stabilizer. Remove the holder from the horizontal stabilizer.



# 9- Stabilizer Continued

**9A** Using a sharp hobby knife, carefully cut away the covering **inside the lines** which were marked above. Be cautious **not to cut into the wood**-this will weaken the structure.

Cut away only the covering and **inside the line**

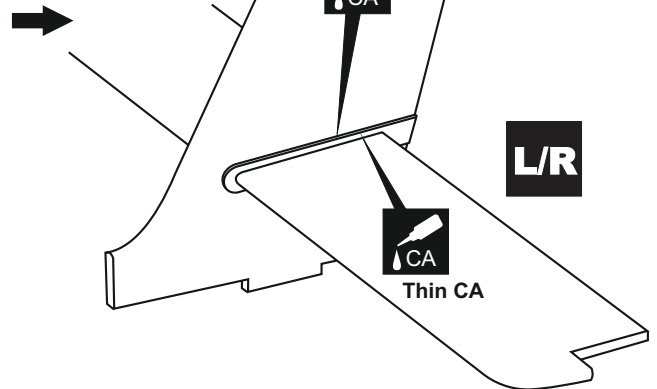
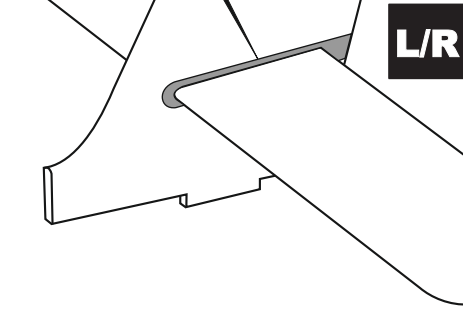


**9B** Again, slide the holder onto the horizontal stabilizer. Apply the thin CA glue on the vertical stabilizer where it contacts the holder. Apply the thin CA glue on the horizontal stabilizer where it contacts the holder.

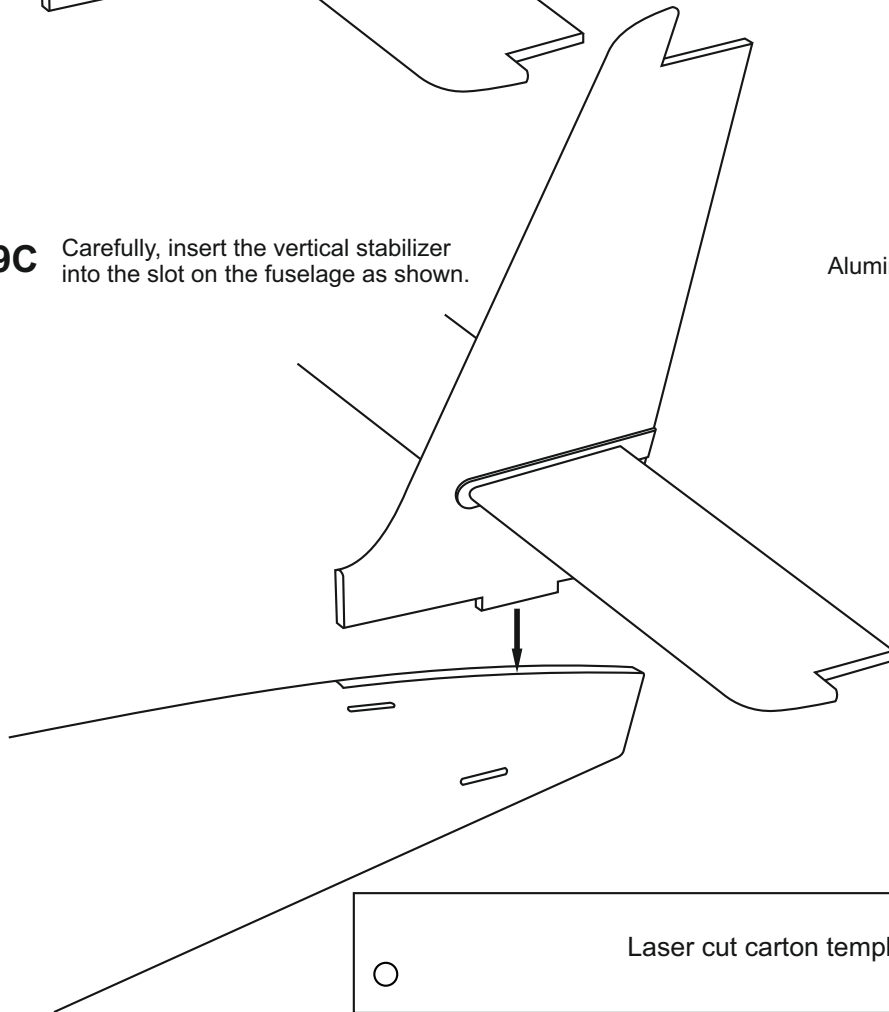
Thin CA



Thin CA



**9C** Carefully, insert the vertical stabilizer into the slot on the fuselage as shown.



Aluminum tube

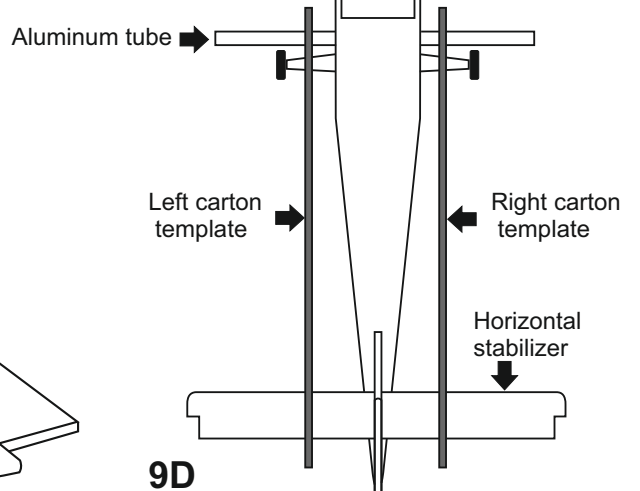
Left carton template

Right carton template

Horizontal stabilizer

**9D**

Check the incidence angle of the horizontal stabilizer using the laser cut carton template

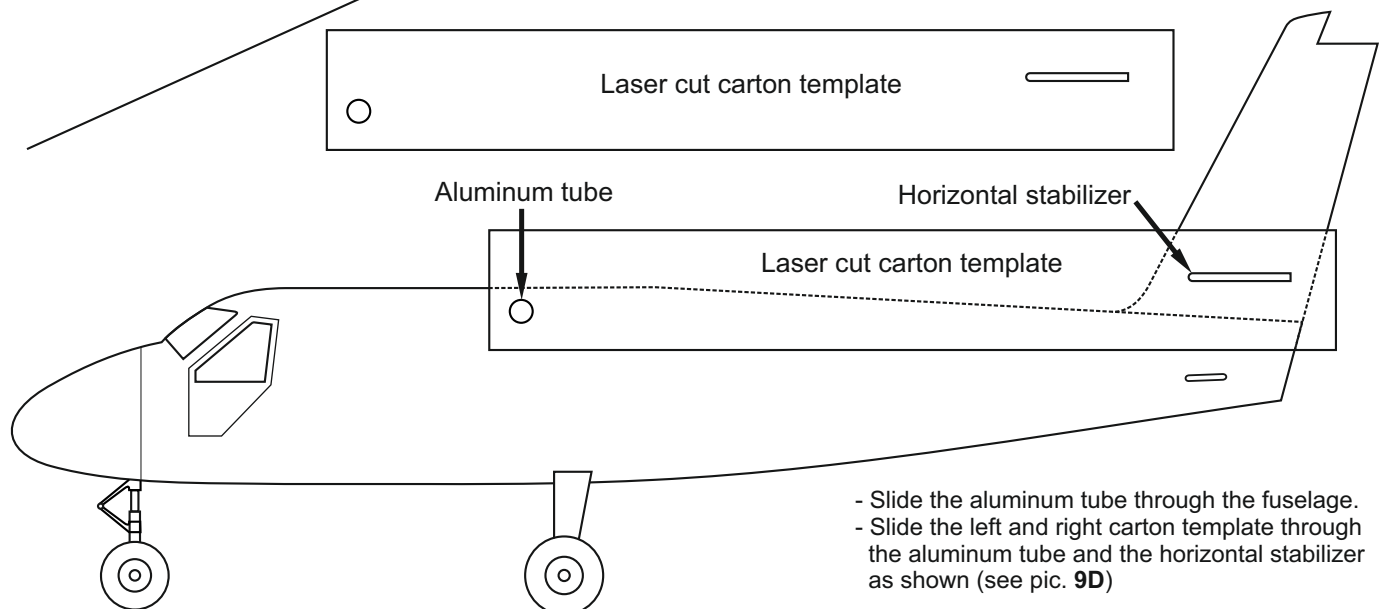


Laser cut carton template

Aluminum tube

Horizontal stabilizer

Laser cut carton template



- Slide the aluminum tube through the fuselage.
- Slide the left and right carton template through the aluminum tube and the horizontal stabilizer as shown (see pic. 9D)

# 10- Stabilizer Continued

## 10A

When you are satisfied with the alignment, use a sharp hobby knife, carefully cut the covering where the vertical stabilizer meet the fuselage. Be cautious **not to cut into the wood** - this will weaken the structure.



Carton template

Carton template

**10B** Remove the vertical stabilizer from the fuselage and cut away the covering on the vertical stabilizer as shown.

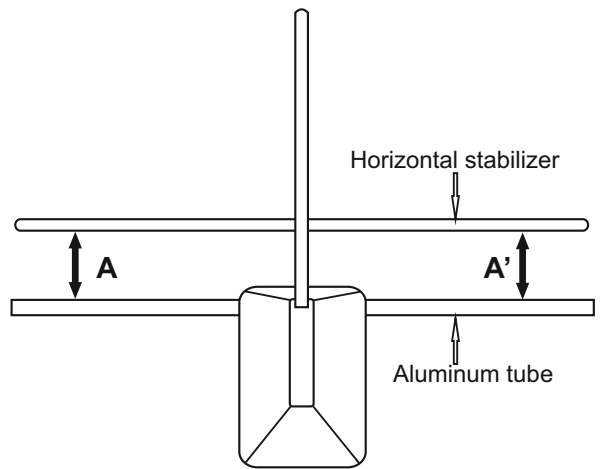
## 10C

Again, insert the vertical stabilizer into the slot on the fuselage. When you are satisfied with the alignment (Step 10A), glue the vertical stabilizer where it meets the fuselage.

**! Securely glue together. If coming off during fly, you lose control of your air plane.**



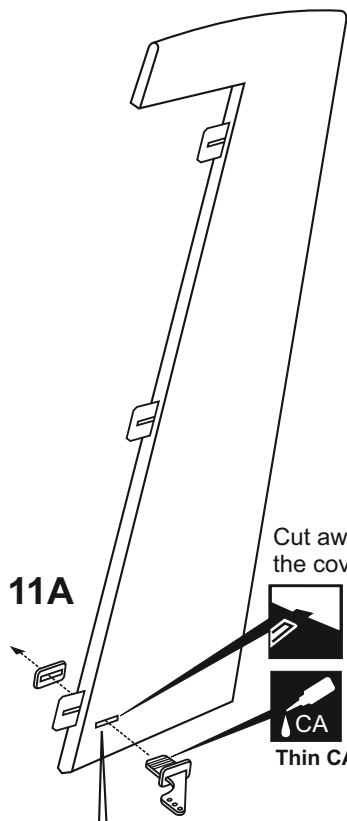
Thin CA



**A=A'**

# 11- Rudder and Elevator

11A



Cut away only the covering



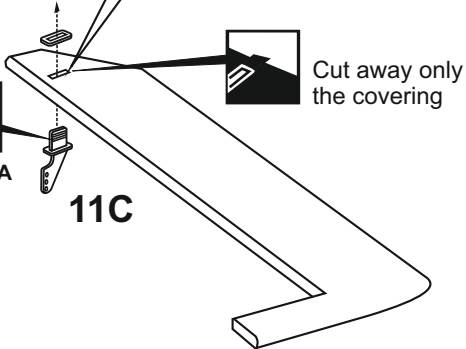
Thin CA

Note: The rectangular holes are pre-laser cut at factory



Thin CA

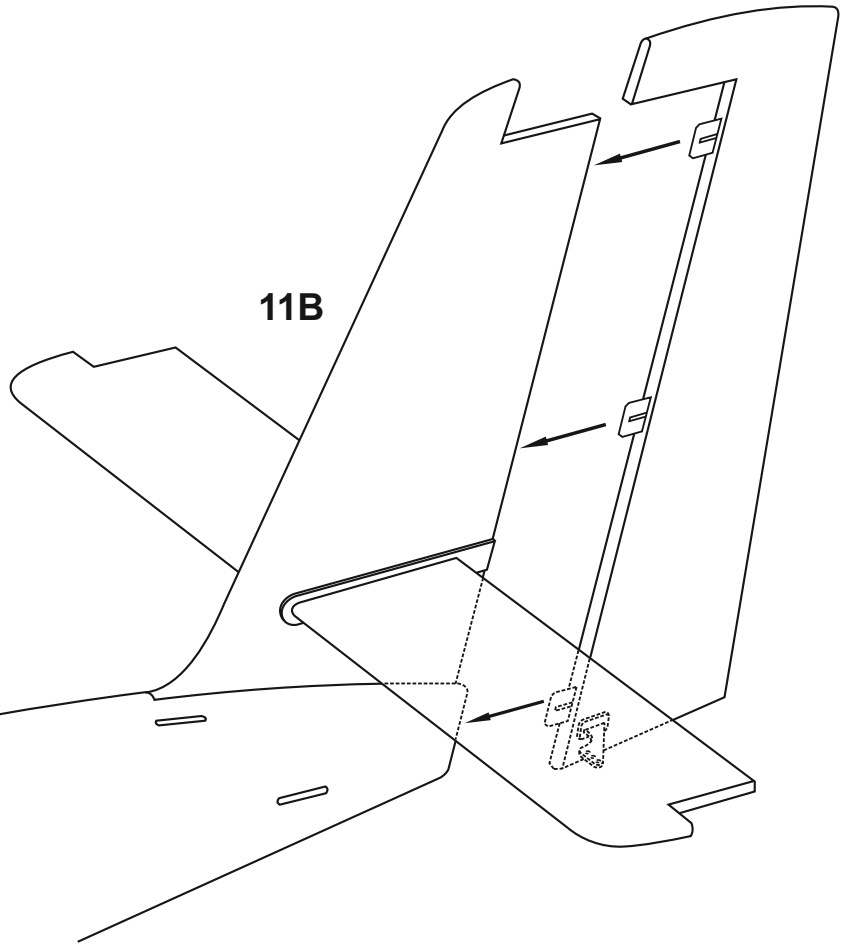
11C



Cut away only the covering

! Securely glue together. If coming off during fly, you lose control of your air plane.

11B



TOP-SIDE

HORIZONTAL STABILIZER

Apply a thin layer of petroleum jelly



Apply thin CA glue on the top of the hinge

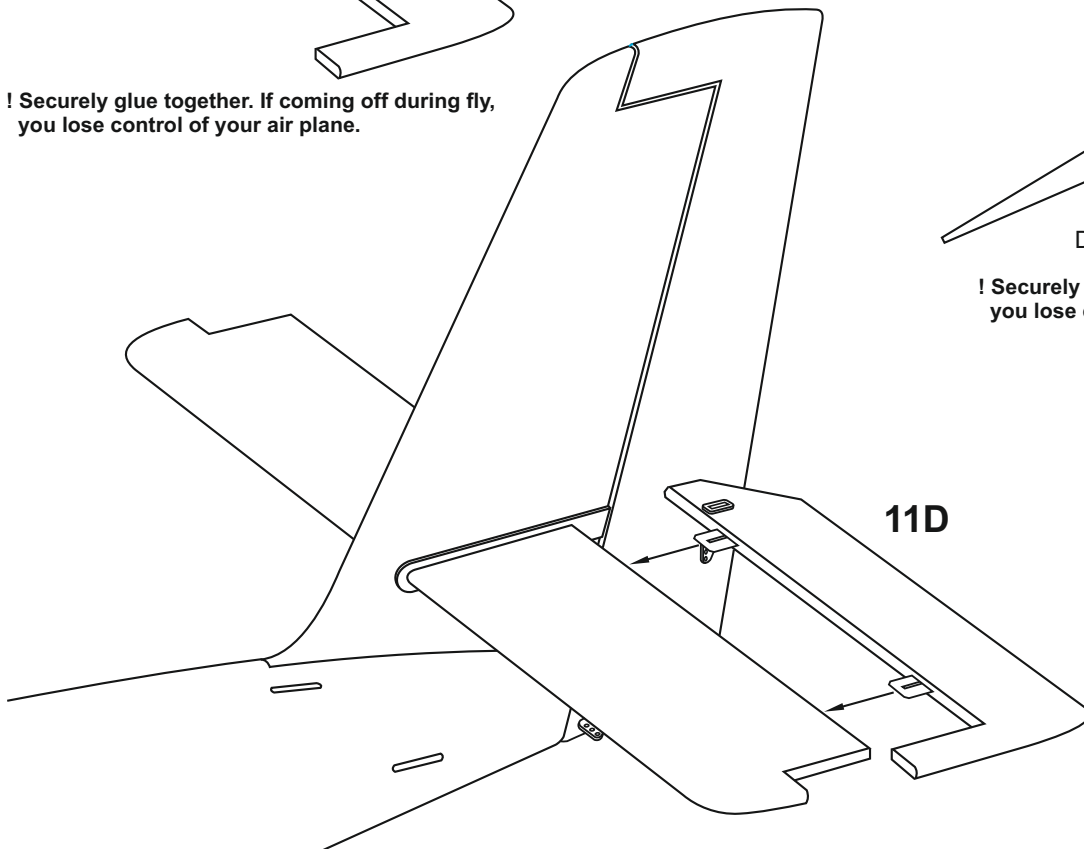
TOP-SIDE

HORIZONTAL STABILIZER

Do the same way with bottom side

! Securely glue together. If coming off during fly, you lose control of your air plane.

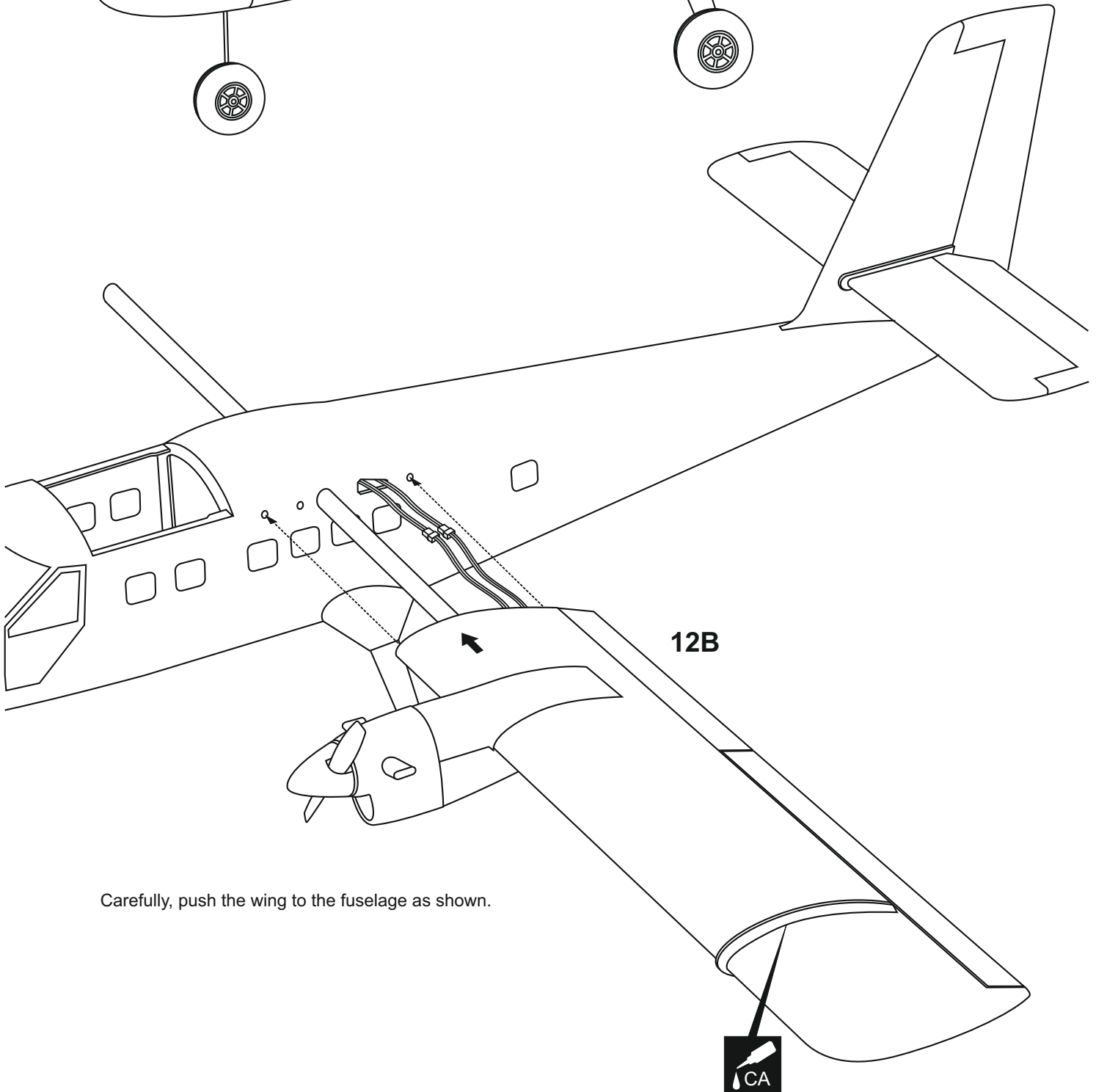
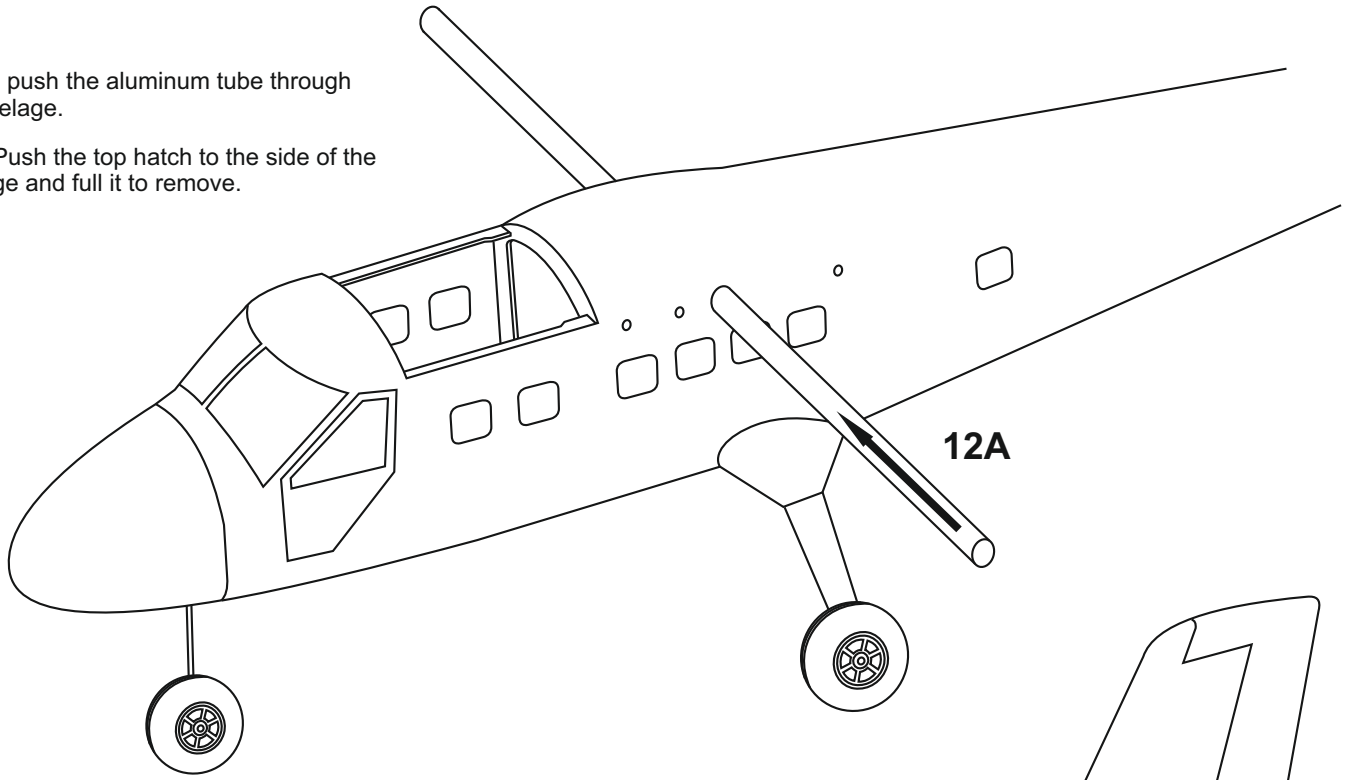
11D



## 12- Wing installation

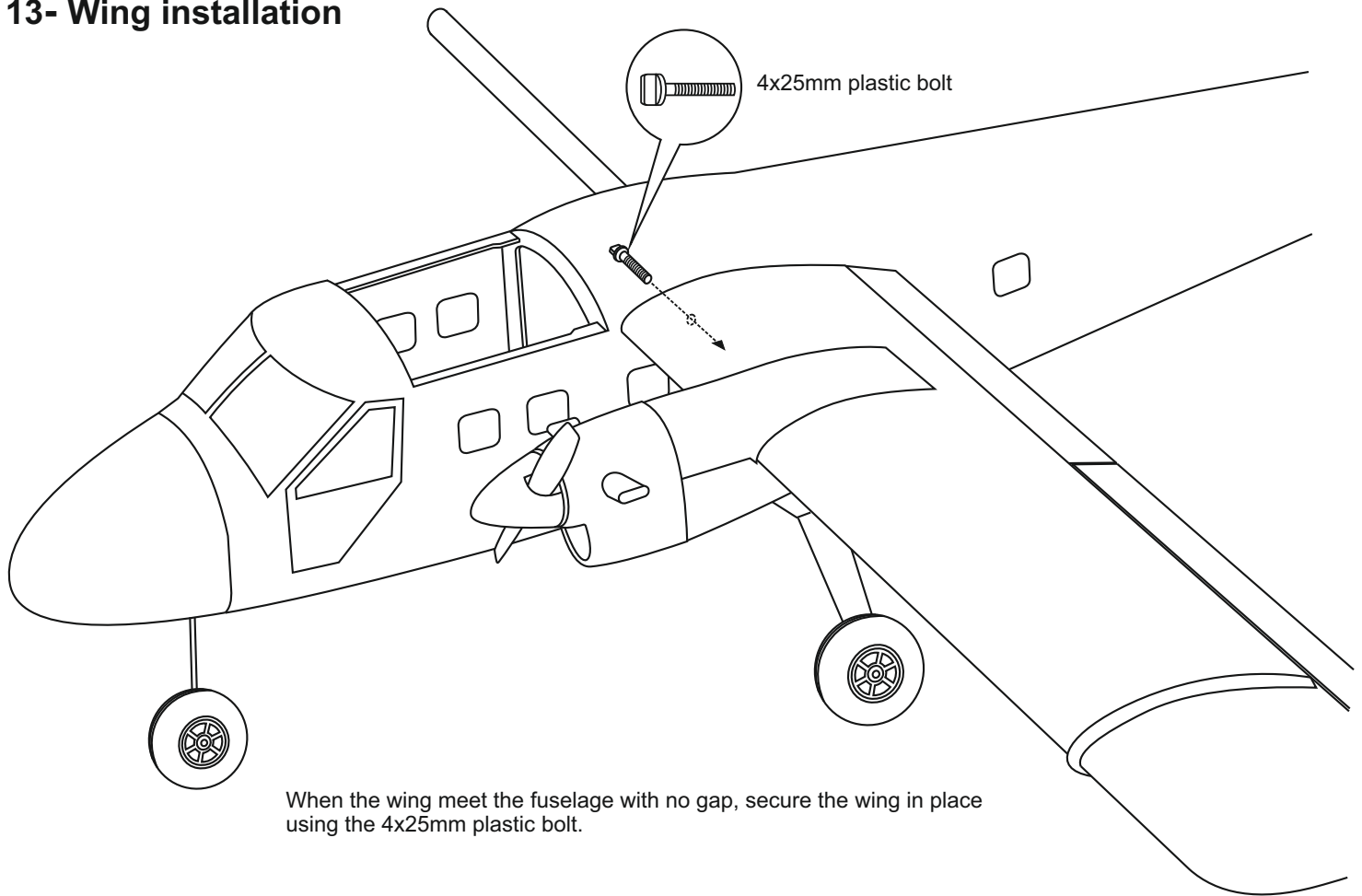
Slowly, push the aluminum tube through the fuselage.

Note: Push the top hatch to the side of the fuselage and full it to remove.

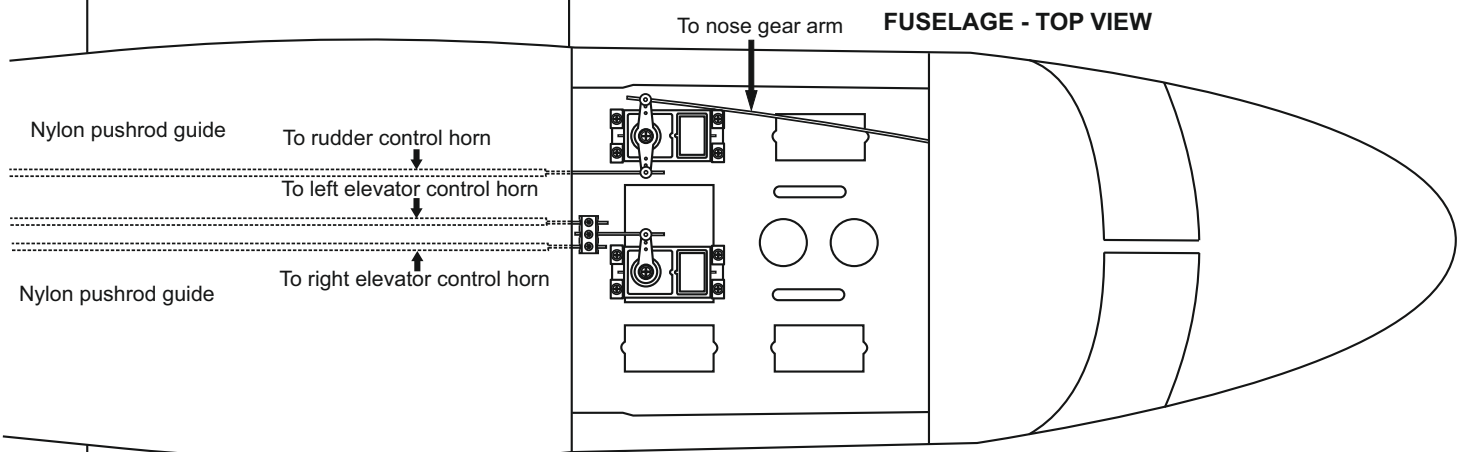
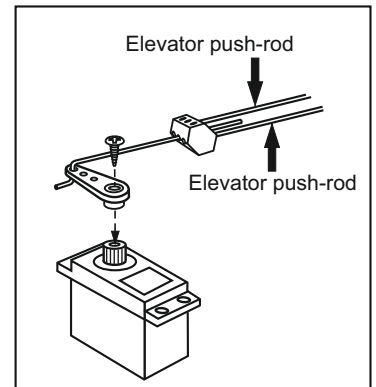
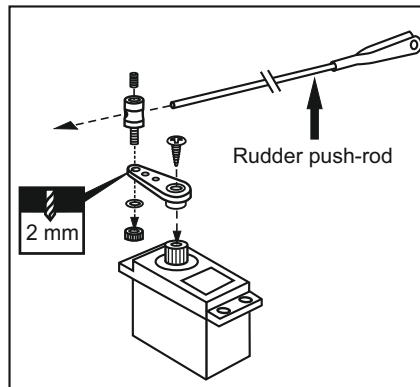


Carefully, push the wing to the fuselage as shown.

## 13- Wing installation




## 14- Servo and Linkages

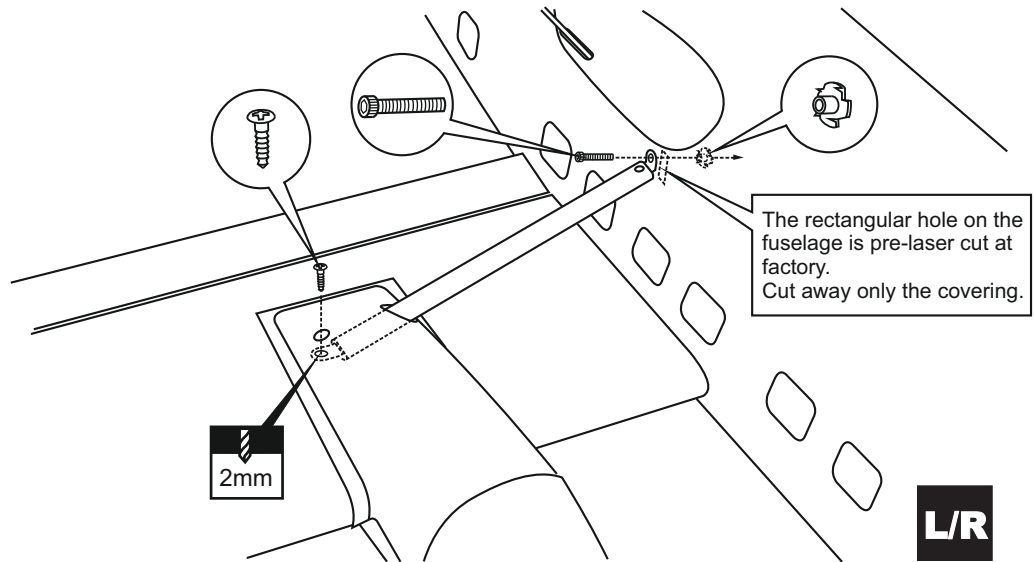
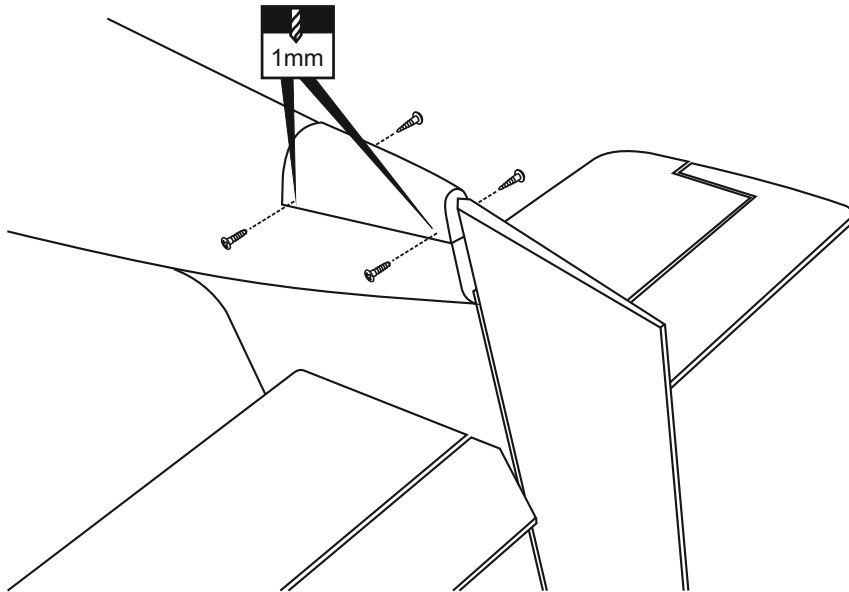


	950mm long	...3		Connector	...1
	2x120mm	.....1		Connector	.....2
	1.2x500mm rod	.....1			


## 15- Shield and Wing brace

2x8mm self tapping screw

 .....4




3mm blind nut

 .....2

3x15mm screw

 .....2

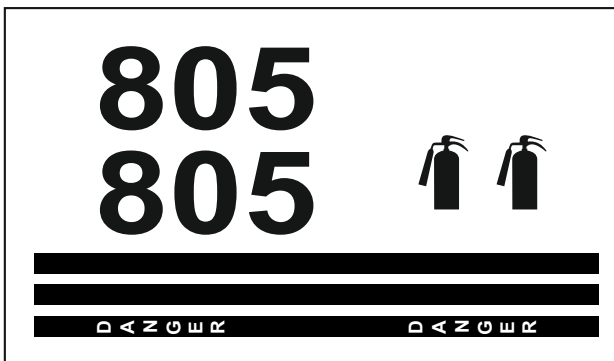
3x12mm self tapping screw

 .....2

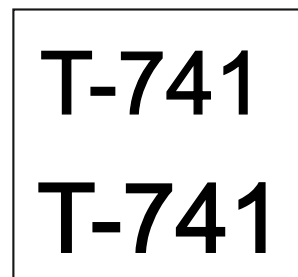
The rectangular hole on the fuselage is pre-laser cut at factory.  
Cut away only the covering.

**L/R**

## 15- Decal



Decal of Otter Canada version



Decal of Otter Swiss version

Decal application: See the label on top box

Note: Cut out the stickers and apply them in the proper area. Do not peel the backing paper off all at once.

Peel off one corner of the backing and cut off with scissors.

Arrange sticker on model and when satisfied adhere the corner without backing.

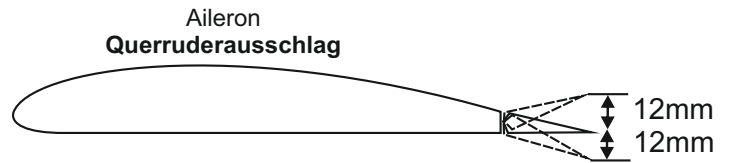
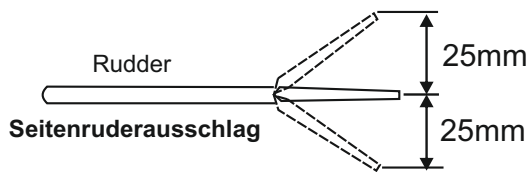
Carefully peel back the rest of the backing while at the same time adhering the rest of the sticker.

Try not to make air bubbles, if there are some, carefully puncture sticker (center of bubble) but not model surface with the tip of the knife or sharp pin and squeeze out the air.

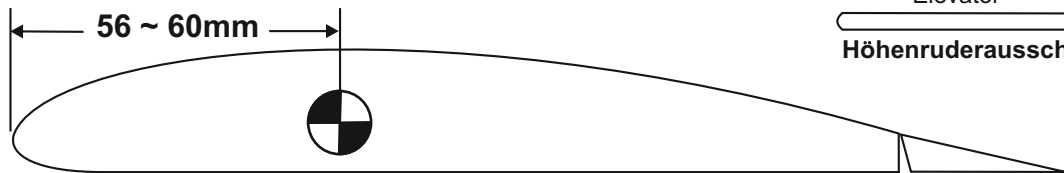
At curves stretch sticker and apply a little heat so that no creases occur.

Cut off the excess that is produced.

## 16- Control Surface



Do not try to fly an out-of balance model!  
**Überprüfen Sie vor dem Flug den Schwerpunkt.**



Adjust the travel of the control surfaces to achieve the values stated in the diagrams.  
These value will be suitable for average flight requirements. Adjust the values to suit your particular needs.

### **IMPORTANT:**

Please do not clean your model with pure alcohol, only use liquid soap with water or use glass cleaner to clean on surface of your model to keep the colour not fade.

All details are subject to change  
without notice !

**Technische Änderungen und Irrtümer  
vorbehalten !**