

# FMS version 1-18六輪爬說明書 (20200605)

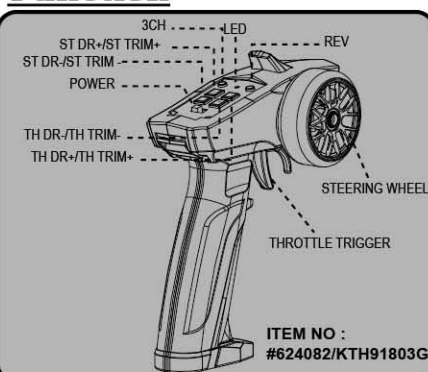
尺寸: 570 x 420mm

顏色: 單黑 (雙面印刷)



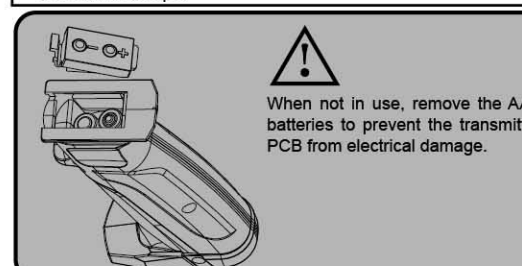
## ATLAS GX6 INSTRUCTION MANUAL

### Function



### Install the Batteries

- 1) Remove the battery compartment cover.
  - 2) Replace the used batteries with new AAA size batteries.
- Please replace batteries when the power indicator blinks or the buzzer beeps.



When not in use, remove the AAA batteries to prevent the transmitter PCB from electrical damage.

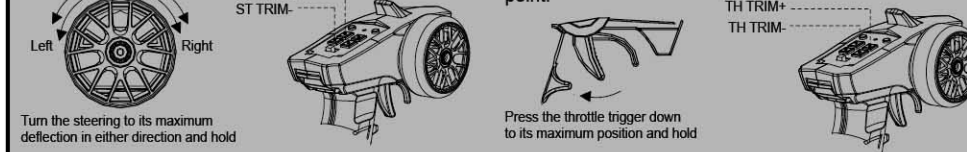
1. Connect the receiver to the battery. Place bind plug into the port labeled 'BIND'. The LED will now flash rapidly.
2. Turn on the transmitter.
3. The LED on the receiver should now turn on and remain solid, indicating that the binding process is complete.

### Channel Reverse:

1. STEERING: Turn the steering to its maximum deflection in either direction and hold; simultaneously press and hold the steering REV button and the steering channel will be reversed.
2. THROTTLE: With the car inverted (Wheels not touching the ground), press the throttle trigger down to its maximum position and hold; simultaneously press and hold the throttle REV button and the steering channel will be reversed.

### Control Rate:

1. STEERING: Turn the steering to its maximum deflection in either direction and hold; press the ST trim + or - buttons to increase or decrease the steering rate. If the steering is unresponsive, keep pressing the steering trim+ button while holding the steering wheel at maximum deflection.
2. THROTTLE: With the car inverted (Wheels not touching the ground), press the throttle trigger down to its maximum position and hold; press the TH trim + or - buttons to increase or decrease the throttle rate. If the throttle is unresponsive, keep pressing the throttle trim+ button while holding the throttle down at its maximum point.



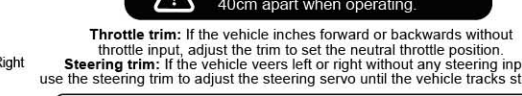
NOTE: If your vehicle has steering but no throttle or vice versa, this setting is the likely culprit. The following instructions should allow the vehicle to function normally again.

### A. Throttle Trigger



1. Push the trigger forward to slow down or brake.
2. Pull the trigger backward to accelerate.

### B. Steering Wheel



1. Push the trigger forward to slow down or brake.
2. Pull the trigger backward to accelerate.

Keep the transmitter and receiver 40cm apart when operating.

**Throttle trim:** If the vehicle inches forward or backwards without throttle input, adjust the trim to set the neutral throttle position.  
**Steering trim:** If the vehicle veers left or right without any steering input, use the steering trim to adjust the steering servo until the vehicle tracks straight.

**Operating procedure**  
Always turn the transmitter on before turning on the vehicle.  
Always disconnect the vehicle BEFORE turning off the transmitter.

**CAUTION:** This product is intended for ages 14+ users under 18 years of age require parental supervision.

### Introduction

Thank you for purchasing the FMS 1/18th Atlas. Engineered to be one of the most realistic, capable and dependable trucks in its class, the FMS 1/18th series is ready to tackle any terrain right out of the box.

This manual is written to assist you in properly operating, maintaining and repairing the vehicle. As many of the components used are unique to this truck, please retain this manual as a future reference.

Composed of precision-made components, the FMS 1/18th Atlas is not a toy, thus it is not suited for children under 14 years of age. Minors should be accompanied by an adult when operating.

It is the owner's responsibility to operate this product in a safe manner. FMS and its distributors are not responsible in any way for any and all bodily harm and/or property damage that may result from the use of this product.

### Warnings

This vehicle is not intended for those under 14 years of age without proper adult supervision. It is not a toy! Failure to operate or maintain this vehicle in a safe manner can result in bodily harm.

Replace damaged components with original factory-parts. Pay special attention to the polarity of all vehicle wiring.

Only use approved 2 cell lithium polymer batteries. Do not over-charge or over dis-charge the battery as doing so may cause the battery to become a fire hazard. If the battery should become hot during charging, discontinue charging immediately and disconnect the battery from the charger. Never leave the battery unattended while charging. If you are unsure of how to charge this battery, please seek the advice of experienced RC users. Never let children charge the battery without adult supervision.

The motor will become hot during use. Allow 10-15 minutes between runs for the vehicle to cool down. Doing so will prolong the life of your vehicle.

Use common sense when selecting the environment to operate your vehicle. Do not operate near power cables, cellular/radio towers, deep water or unstable terrain. The operator is solely responsible for their actions.

The product is composed of precision electrical components. It is critical to keep the product away from moisture and other contaminants. If exposed to a humid environment, make sure the electronics are fully dried prior to using them again.

Always check the radio range of the vehicle prior to operation in order to prevent radio loss or interference.

Operate this product within your ability. If the vehicle is dangerous to retrieve, it's never worth the risk.

Always turn on the transmitter before connecting the battery to the model. When turning off the model, always disconnect the battery first, and then turn off the model, always disconnect the battery first, and then turn off the transmitter. If this order is reversed, the model may become uncontrollable and cause serious damage.

Never allow transmitter batteries to run low as it may cause loss of vehicle control.

Plastics on the vehicle are susceptible to damage or deformation due to extreme heat and cold climate. Do not store the model near any source of heat such as oven or heater. Store the model indoors, in a climate-controlled, room temperature environment.

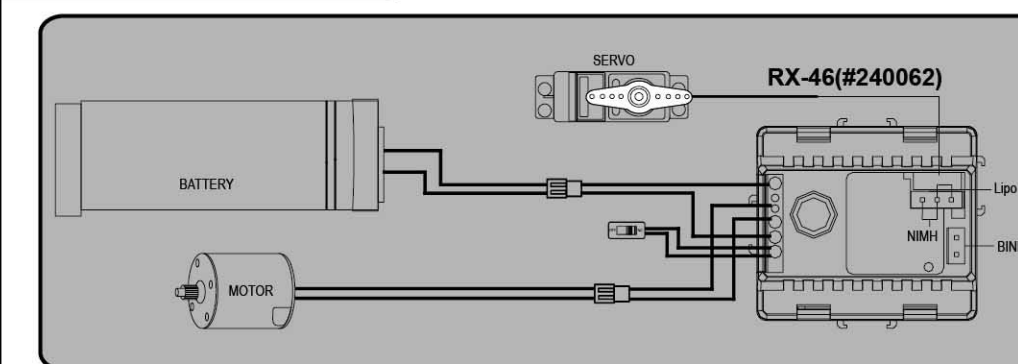
Never shorten the receiver antenna; this may affect the transmitting range of the radio system.

### Setting the Gear Mesh

The gear mesh is the clearance between the pinion and spur gears in your vehicle. If the motor or gearing components are replaced, check that the gears are not meshing too tightly as this may cause premature wear.

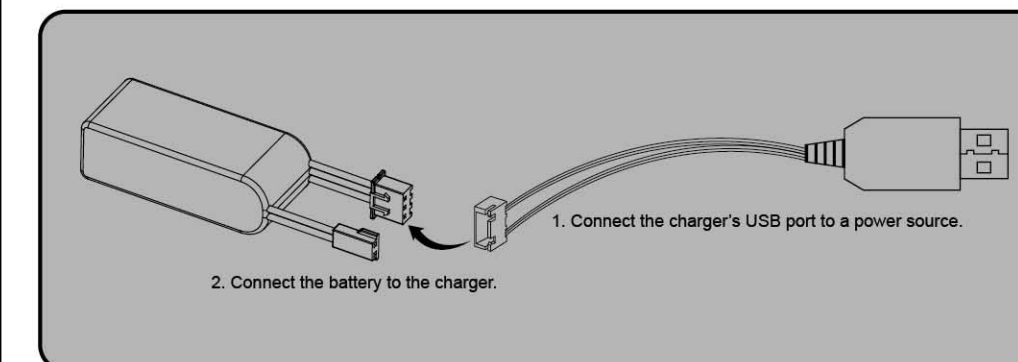


### Electronics Diagram



### Charging the Battery

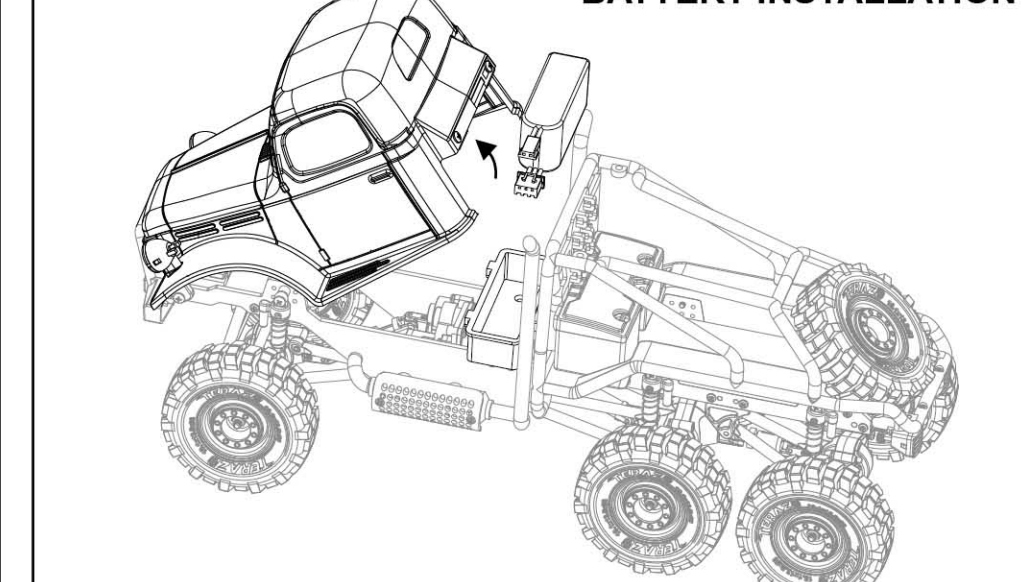
1. Connect the charger to a USB port then connect the battery to the charger.
2. When charging, the status LED is red, when charged, the status LED is green.
3. Do not let the battery charge unattended!
4. If the battery or charger is hot, disconnect the battery and charger immediately as this may be caused by an internal short-circuit.



### Lithium Polymer (LiPo) Battery Warning

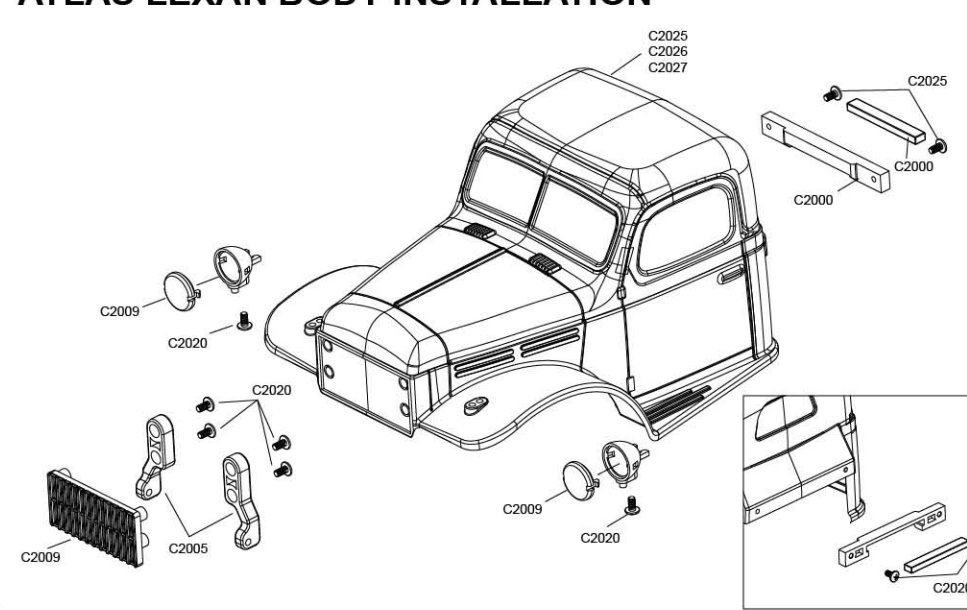
- Never charge a lithium polymer battery with a charger designed for Nicd, NiMH, or any other type of battery chemistry. Use ONLY charger designed for LiPo battery.
- Do not leave LiPo battery unattended during charging.
- Do not overcharge the battery.
- Always charge LiPo batteries on non-flammable, heat-resistant surfaces.
- Always use a LiPo-safe bag or container while charging. Do not allow LiPo cells to overheat at any time. Cells which reach greater than 140 Fahrenheit(60°C) will usually become damaged and will catch fire.
- Do not charge the LiPo pack while it is still in the model. Never charge or store battery packs in a vehicle.
- Do not discharge LiPo; doing so will damage the battery.
- Do not expose LiPo cell to water or moisture at any time.
- Do not store battery near open flame or heater.
- Do not assemble LiPo cells or pre-assembled packs together with other LiPo cells or packs.
- Always store LiPo battery in a secure location away from children.
- Always remove the LiPo battery if model is involved in any kind of crash.
- Carefully inspect the battery and connectors for even the smallest damage.
- CAUTION: Cells may become hot after usage. Allow the pack to cool to room temperature prior to recharging.
- Do not allow the electrolyte to get into eyes or on skin. Wash affected areas immediately if they come into contact with electrolyte. Do not alter or modify connectors or wires of a LiPo battery pack.
- Always inspect the condition of the battery before charging and operating.
- Do not short circuit the LiPo battery.
- Do not have contact with a leaky/damaged battery directly.
- Do not charge battery out of recommended temperature range(0°C-45°C).

### BATTERY INSTALLATION

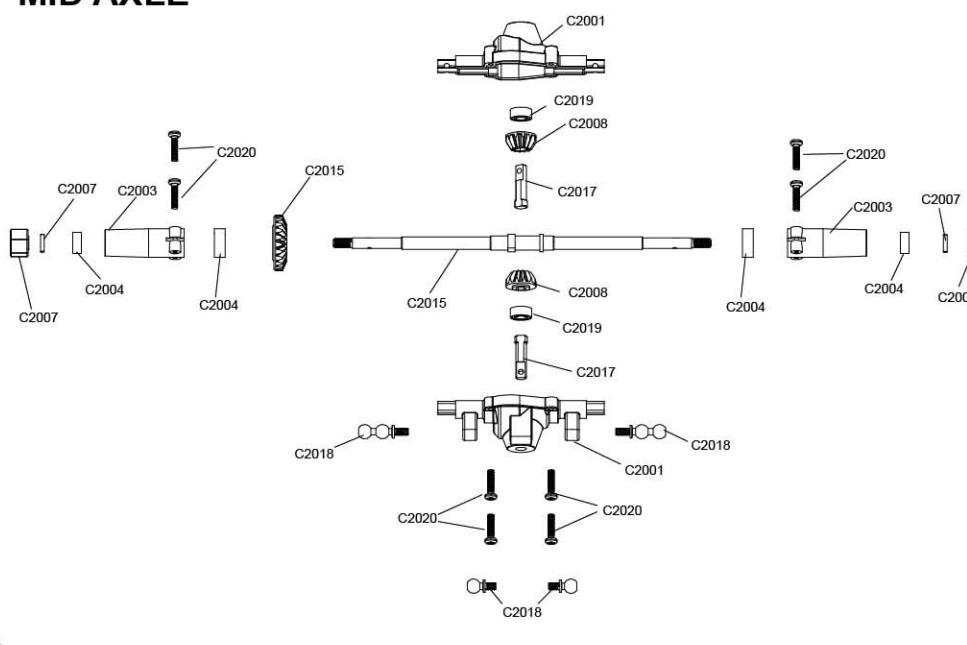


### Sub-assembly diagrams

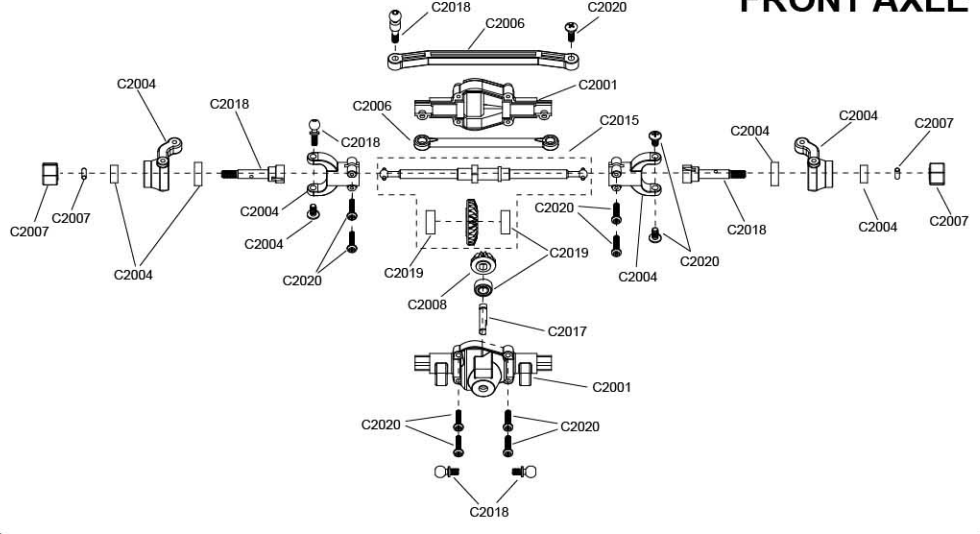
#### ATLAS LEXAN BODY INSTALLATION



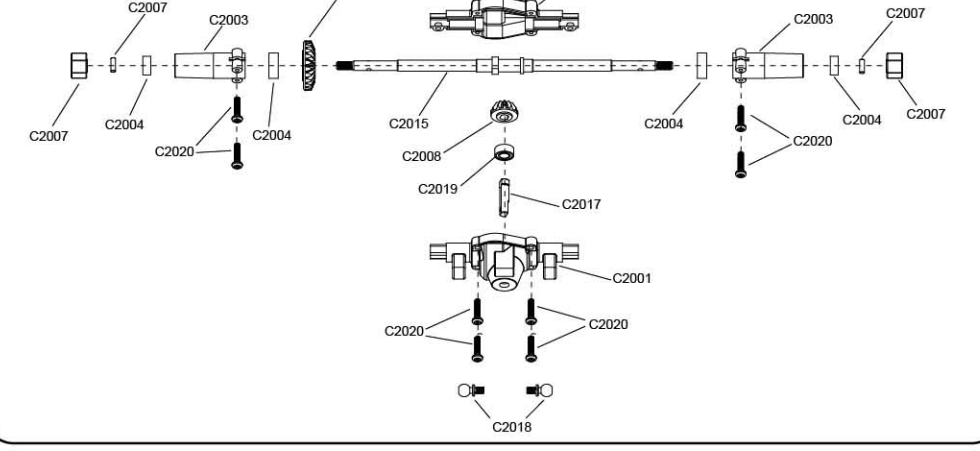
#### MID AXLE



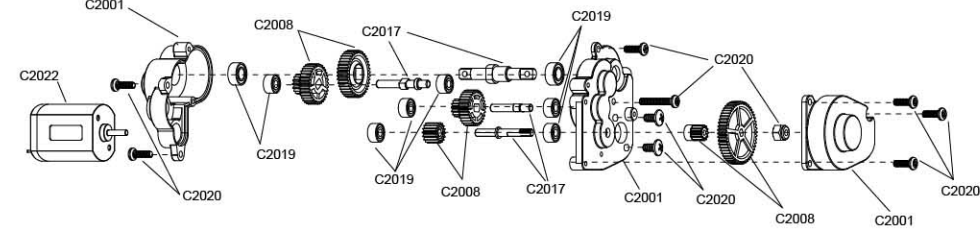
#### FRONT AXLE



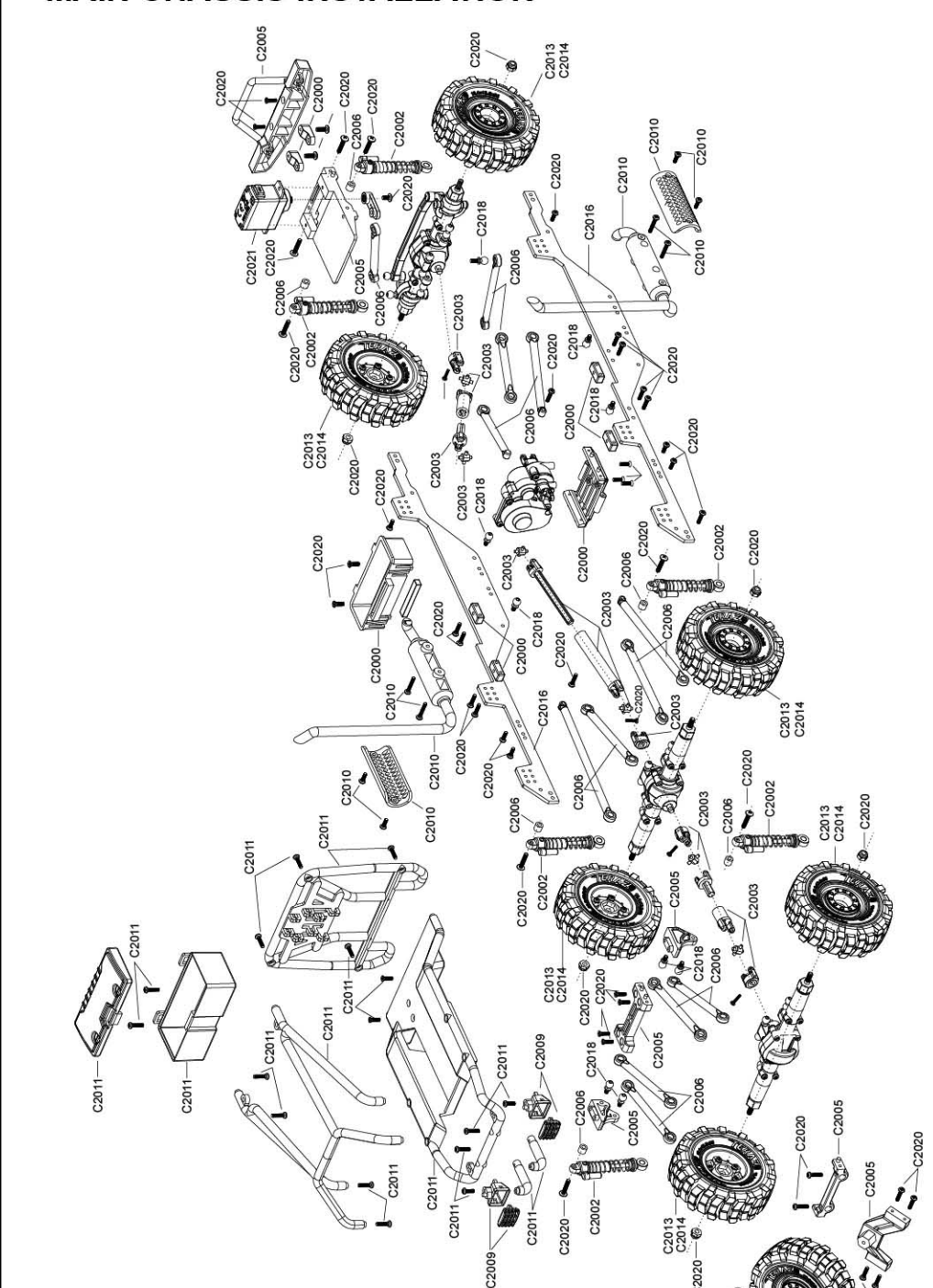
#### REAR AXLE



#### REDUCTION GEAR BOX



#### MAIN CHASSIS INSTALLATION



### Spare parts list

Complete Vehicle Gear Set Part No: C2008	Transmission Gear Shaft Set Part No: C2017	2.4Ghz TX Part No: C2028	Transmission Gear Box & Axle Set Part No: C2001	Shocks Set Part No: C2002	Front Steering Hub & Spindle Part No: C2004
1KG High Torque 3wire Servo Part No: C2021	ESC/RX Combo Part No: C2023	7.4V 600MAH Lipo Part No: C2024	100T High Torque Motor Part No: C2022	Chassis Mounting Set A Part No: C2000	
Universal Main Drive Shaft Set & Rear Axle Hub Part No: C2003	Chassis Mounting Set B Part No: C2005	Complete Vehicle Link Set Part No: C2006	Wheel Hex Part No: C2007	Light Mount Set Part No: C2009	
Exhaust Pipe Set Part No: C2010	Roll Cage Set Part No: C2011	ATLAS Tire Part No: C2012	ATLAS Tire Set (Metal Gum) Part No: C2013	ATLAS Tire Set (Silver) Part No: C2014	
Axle Drive Shaft Set Part No: C2015	Aluminum Main Chassis Set Part No: C2016	Ball Stud & Pin Set Part No: C2018	Complete Bushing Set Part No: C2019	Complete Vehicle Screw Set Part No: C2020	
Finished ATLAS LEXAN Body (Matte Maroon) Part No: C2025	Finished ATLAS LEXAN Body (Matte Blue) Part No: C2026	Clear ATLAS LEXAN Body Part No: C2027	CR-18 LED light Set Part No: C2029	8.4V USB Charger Part No: C2030	

# FMS 1:18斗牛者六轮 操作说明书



### 电池安装

(1) 拆下电池盖  
(2) 更换新的AAA电池。  
当电源指示灯闪烁或蜂鸣器响动时，请更换电池。

不使用，请取出AAA电池，以免损坏发射机电路板。

1. 将接收机连接至电源，跳线连接至对频端口，接收机上的LED灯开始快速闪烁。
2. 打开发射机，接收机开始自动连接遥控器。
3. 当LED灯变为长亮，则对频成功。

### 反向通道

1. 转向：将转向移动到任一方向上的最大角度并保持；同时按住转向REV按钮并保持，转向通道将会反转。  
2. 油门：将遥控器倒置（车轮不接触地面），按下油门扳机到其最大位置并保持；同时按住油门Rev按钮并保持，转向通道将会反转。

### 控制率

1. 转向：将转向移动到任一方向上的最大角度并保持；按下转向微调+或-按钮以增加或降低转向角度。如果转向没有反应，继续按下转向微调+按钮，同时保持方向盘在最大角度。  
2. 油门：将遥控器倒置（车轮不接触地面），按下油门扳机到其最大位置并保持；按下油门微调+或-按钮以增加或降低油门速率。如果油门没有反应，继续按下油门微调+按钮，同时保持油门在其最大位置。

将转向移动到任一方向上的最大角度并保持。  
按下油门扳机到其最大位置并保持。

注意：如果您的遥控车有转向，但没有油门，或有油门，但没有转向，则此设置很可能是问题根源。

**A. 油门扳机**      **B. 方向盘**

操作时保持发射机和接收机相距40厘米。

油门微调：如果遥控车在没有任何油门操控的情况下，向前或向后移动，则需要调整油门位置。  
转向微调：如果遥控车在没有任何转向操控的情况下，向左或向右偏转，则需要通过转向微调来调整转向舵机，直到遥控车能直行。

**操作程序**  
请务必先开遥控器再将车子通电。  
请务必将车子断电再关遥控器。

**注意：**  
本产品只适用于14岁以上用户使用，18岁以下用户需要在监护人的监督下使用。

### 介绍

感谢您购买FMS 1/18的斗牛者。斗牛者是一款源于经典超越经典的六轮四驱攀爬车，是复古与现代的结合之作。FMS 1/18系列已做好准备开箱即征服各种场地。

本手册可以有效帮助您正确操作、维护和修理本品。由于本品所涉多数部件为特有部件，请保留本手册作为未来参考之用。

FMS 1/18斗牛者由精密制造的组件组成，非玩具级别，不适合14岁以下的儿童操作使用。未成年人应在有经验的成年人陪同下操作使用。不当操作或维护会造成车辆损坏，甚至可能导致人身及财产损失。

本品操作者需以安全的方式操作本品。FMS及其分销商不以任何方式对使用本产品可能造成的任何人身伤害或财产损失负责。

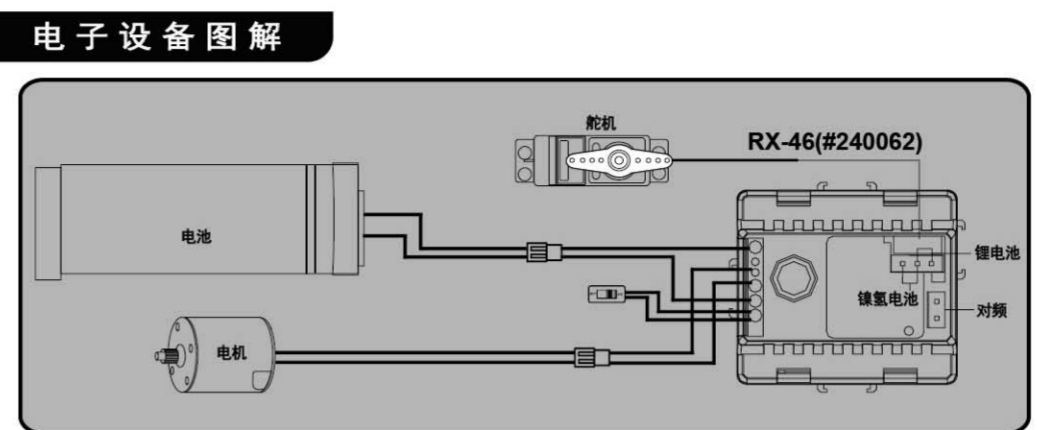
### 警告

- 未经成人适当监管，该车不适合14岁以下的人群使用。这不是玩具！不以安全的方式操作或维修该车辆可能会导致人身伤害。
- 请使用原厂部件更换损坏的部件。特别注意所有车辆接线的正负极。

- 只能使用2节锂聚合物电池。不要过度充电或过度放电，以免电池泄露或损坏产生火灾隐患。如果电池在充电过程中温度过热，请立即停止充电，并将电池与充电器断开。请勿在无人看管的情况下给电池充电。如果您不确定如何安全地进行充电，请向经验丰富的遥控模型产品玩家寻求建议。不要让孩子在没有成人监督的情况下给电池充电。
- 由于电机在使用过程中会发热，两次操作中要留出大约10-15分钟的时间冷却电机，以延长产品的使用寿命。
- 务必选择合适的环境操作遥控模型，所选环境需远离电缆、无线电台、深水及不稳定地形。本品操作者对其行为负全权负责。
- 本品由精密电子部件构成。请勿将本品暴露于潮湿的环境或其他污染物中，以免造成损坏。如果暴露在潮湿的环境中，请确保将电子部件完全晾干后再使用。
- 确保每次操作前检查车辆的无线接收范围，以防止无线信号丢失或受干扰。
- 在您的能力范围内操作此产品。在任何时候，如果车辆操作有危险，则绝对不值得冒险。
- 通电方式：务必先开遥控器再将车子通电。断电方式：务必先将车子断电再关遥控器。以上顺序如逆转，则可能引起遥控模型失控，导致人身伤害或财产损失。
- 遥控器电池低电时，不要操作模型车，以免造成失控。
- 模型产品上的塑胶件容易因极冷或极热气候出现变形或损坏的状况。所以请将模型产品存放在气候受控的室温环境中，切勿靠近任何热源，如烤箱或加热器等。
- 切勿更改接收机天线的长度，以免影响无线电系统的接收范围。

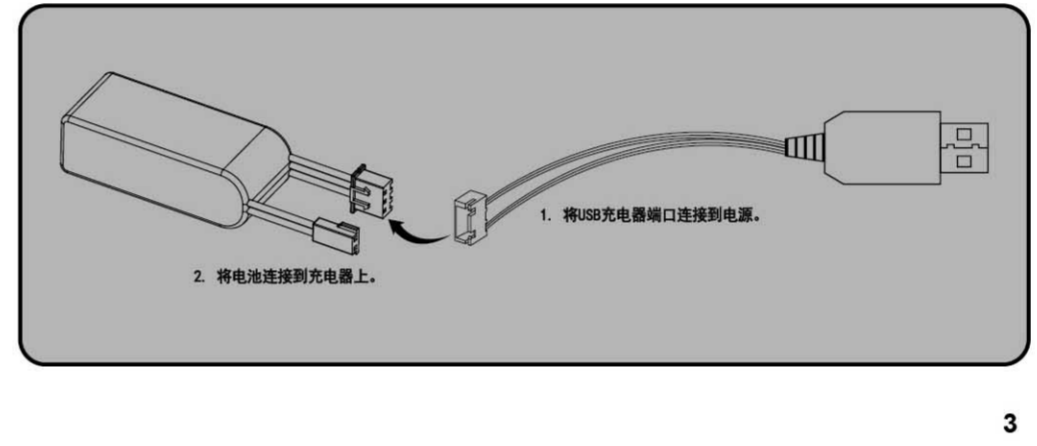
### 齿轮啮合设置

齿轮啮合是模型车内小齿轮和直齿轮之间的间隙配合。如果更换电机或齿轮传动部件，请检查齿轮啮合是否过于紧密，如过于紧密，则可能导致过早出现磨损。



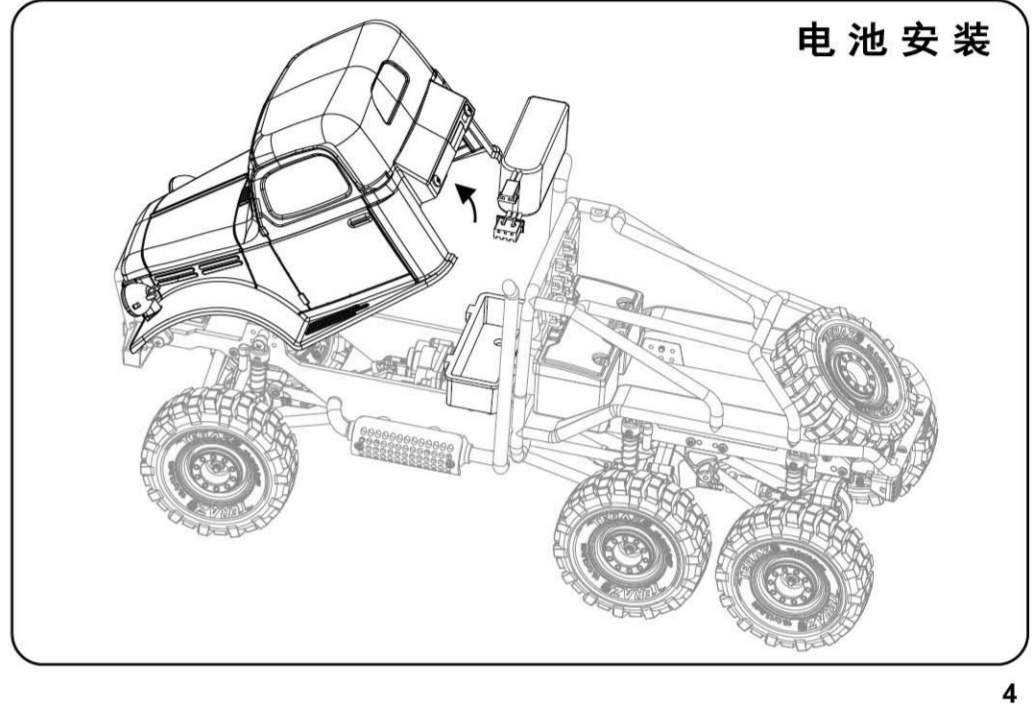
### 电池充电

1. 将充电器连接到USB端口，然后将电池连接到充电器电源线上。
2. 充电时，LED灯状态为红色，充电完成时，LED灯状态为绿色。
3. 请勿在无人看管的情况下充电！
4. 如果发现电池或充电器温度过热，请立即断开电池和充电器，因为这可能是由内部短路引起的。

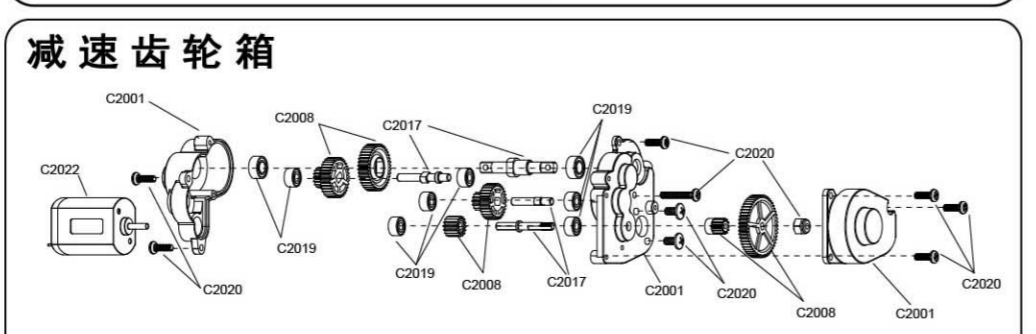
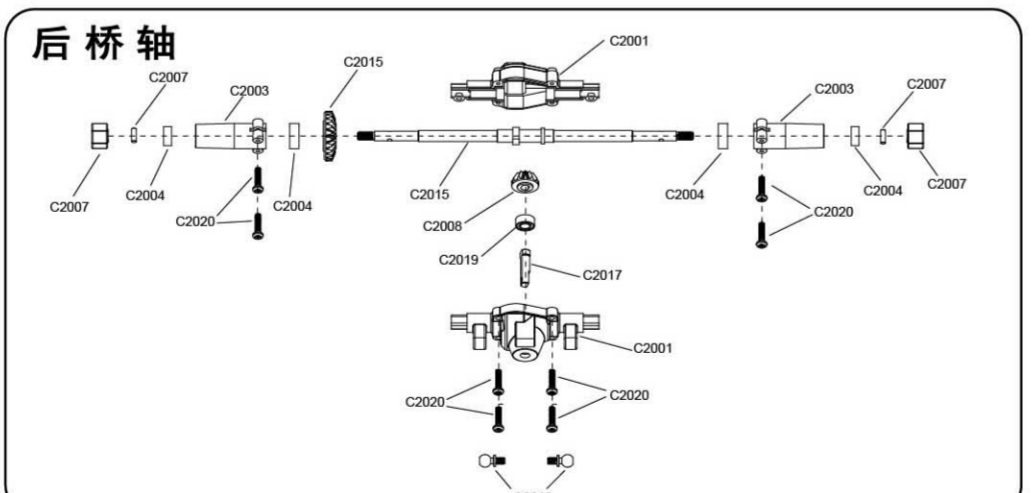
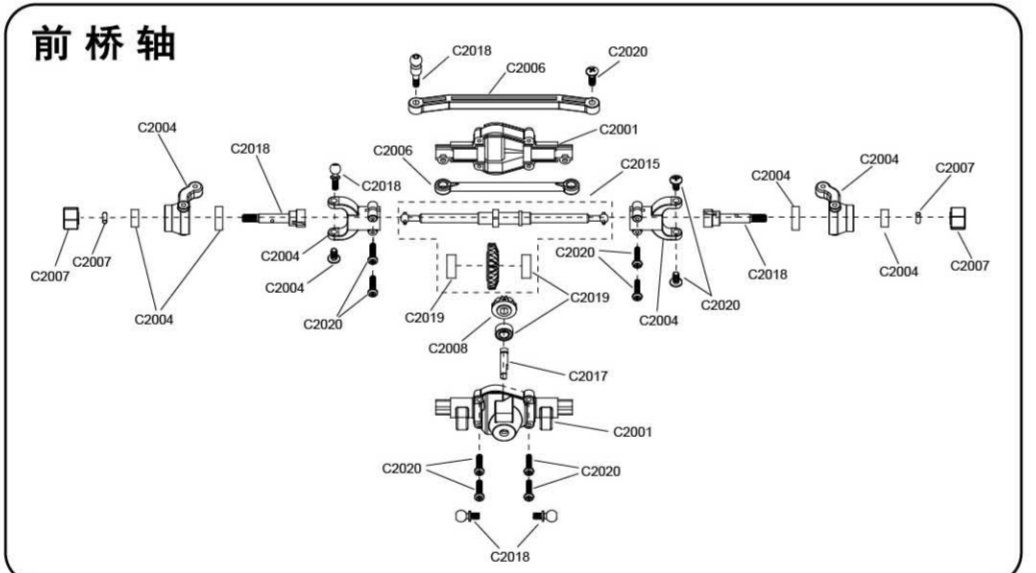
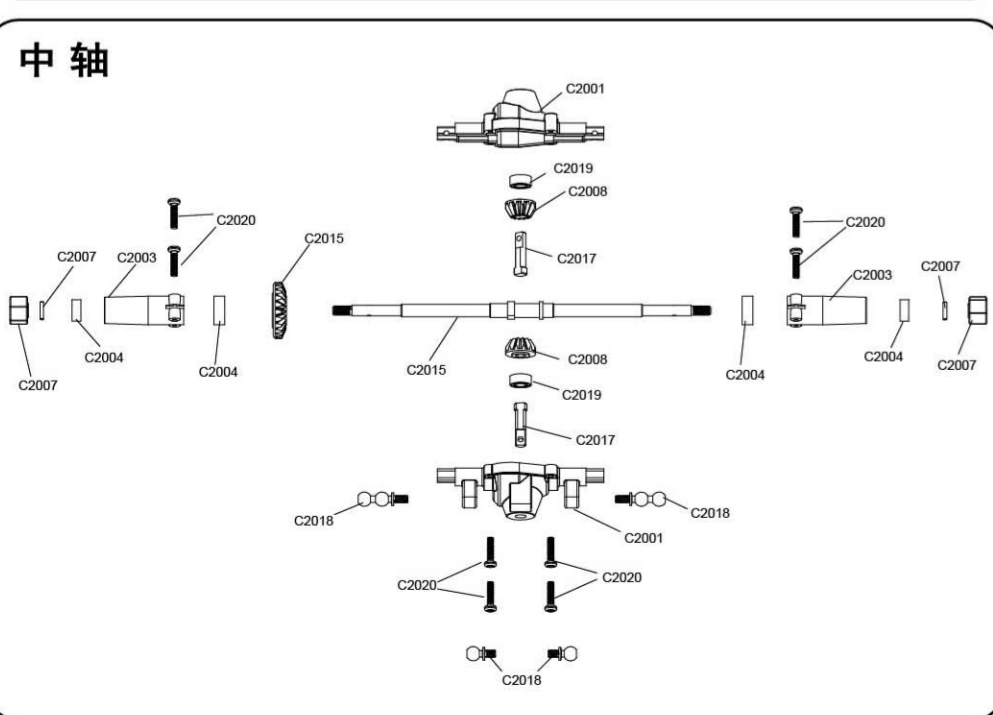
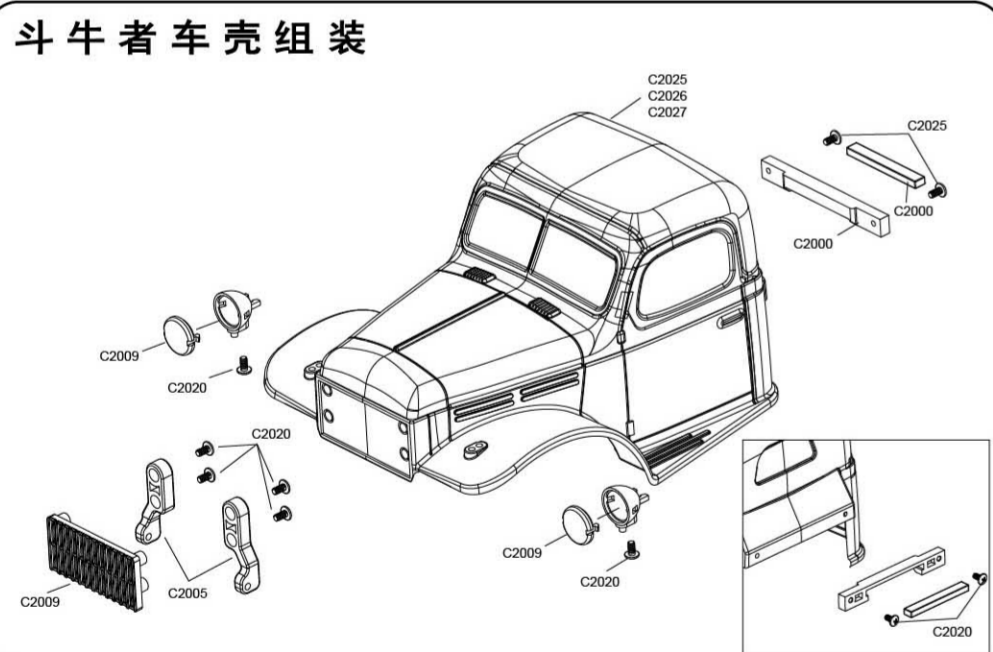


### 锂聚合物（锂电）电池警告

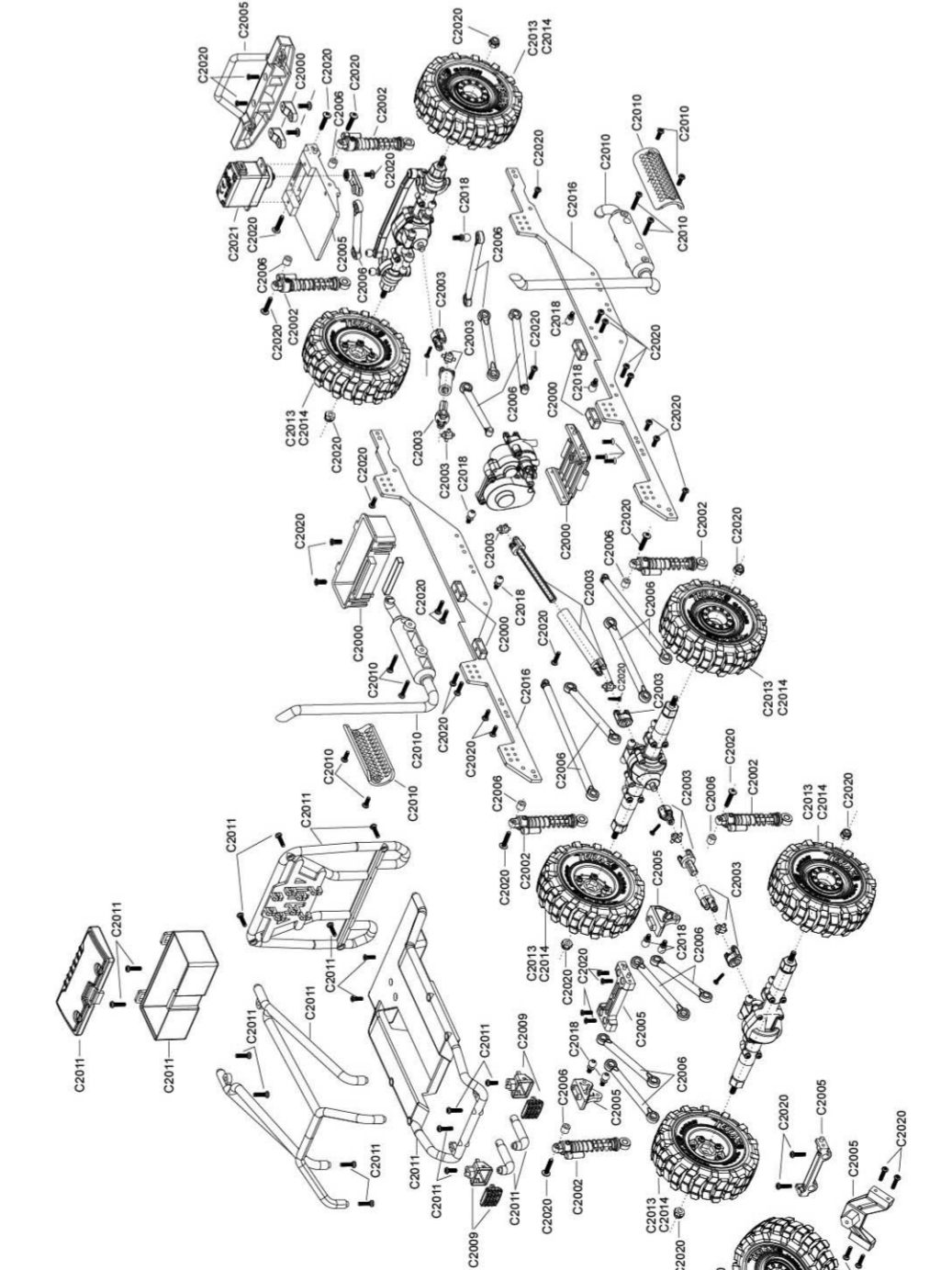
- 不要使用NiCd、NiMH或任何其他类型的充电器给LiPo锂聚合物电池充电。请使用LiPo锂聚合物的专用充电器给LiPo锂聚合物电池充电。
- 请勿在无人看管的情况下充电。
- 电池请勿过充。
- 请勿将电池放置在易燃、不耐热的表面上充电。
- 总是使用安全袋或安全容器给电池充电。保证电池在任何时候都不过热。电池温度超过140华氏度（60度）则易造成损坏，甚至引发火灾。
- 请勿将电池长期置于模型产品内，更勿在模型产品内直接充电。
- 请勿给电池放电，以免损坏电池。
- 任何时候请勿将电池暴露在水或湿气之中。
- 请勿在明火或加热器附近存放电池。
- 请勿与其他未组装或预组装的电池混用。
- 需将电池存放在远离儿童的安全位置。
- 模型如出现任何碰撞，需立刻拆除电池。
- 即使出现微小的损坏，也需仔细检查电池和连接器。
- 注意：使用后电池可能会发热，需让电池冷却到室温后再进行充电。
- 请勿让电解液接触眼睛或皮肤。如电解液不慎接触到身体的任何部位，请立即进行清洗。请勿替换或修改电池组的连接器或电线。
- 在进行充电或其他任何操作之前需检查电池的状况。
- 请勿造成电池短路。
- 请勿直接接触已泄漏或已损坏的电池。
- 请勿超出建议温度范围充放电（0度-45度）。



## 组装图



## 主底盘安装



## 配件表

齿轮套装 Part No: C2008	传动齿轮轴套装 Part No: C2017	2.40hz发射机 Part No: C2028	传动齿轮箱和轴套装 Part No: C2001	避震器套装 Part No: C2002	前转向轴套装 Part No: C2004
1kg 高扭力三轴电机 Part No: C2021	电调接收二合一 Part No: C2023	7.4V 600毫安锂电 Part No: C2024	100T 高扭力电机 Part No: C2022	车底板零件套装 A Part No: C2000	
通用主动轴轴组及梯式轴轴 Part No: C2003	车底板零件套装 B Part No: C2005	连杆套装 Part No: C2006	车轴零件 Part No: C2007	车灯零件套装 Part No: C2009	
排气管套装 Part No: C2010	防撞架套装 Part No: C2011	斗牛者轮胎 Part No: C2012	斗牛者轮胎(棕色) Part No: C2013	斗牛者轮胎(银色) Part No: C2014	
传动轴套装 Part No: C2015	铝合金车底板套装 Part No: C2016	球头螺栓套装 Part No: C2018	套簧套装 Part No: C2019	螺丝套装 Part No: C2020	
斗牛者PC壳成品(暖光红色) Part No: C2025	斗牛者PC壳成品(暖光蓝色) Part No: C2026	斗牛者 PC透明壳 Part No: C2027	QR-18 LED灯套装 Part No: C2029	8.4V USB充电器 Part No: C2030	