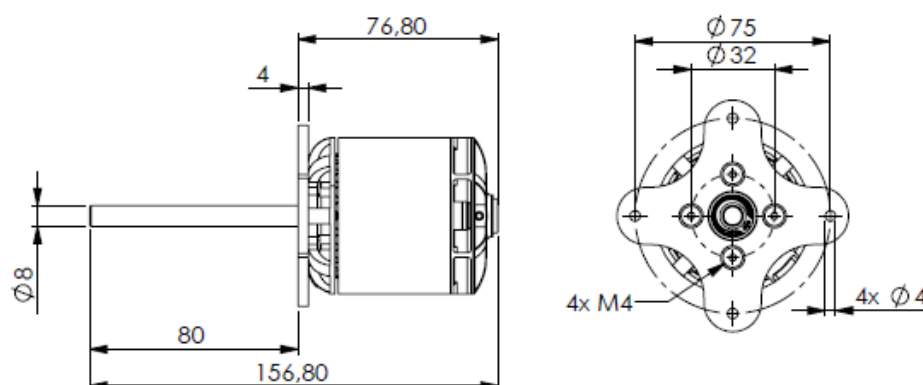


Beiblatt zur Bedienungsanleitung A60-M 28Pole Glider und FesEx

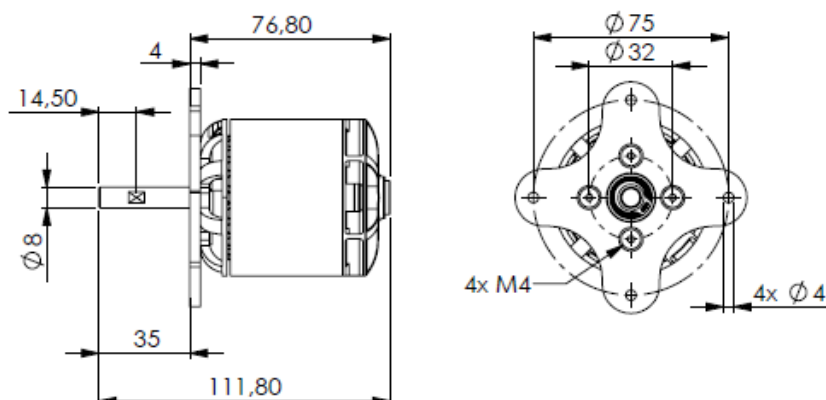
Technische Daten:

	A60-7M V4 28-Pole Glider	A60-7M V4 28-Pole FesEx	A60-8M V4 28-Pole Glider	A60-8M V4 28-Pole FesEx
Artikel Nr.	15701907	15711907	15701908	15711908
Gewicht [g]	751	740	742	735
Ri [mOhm]	23	23	30	30
I Leerlauf [A] @ 8,4V	1,5	1,5	1,15	1,15

A60-M,28Pole,Glider



A60-M,28Pole,FesEX



Empfohlene Setups:

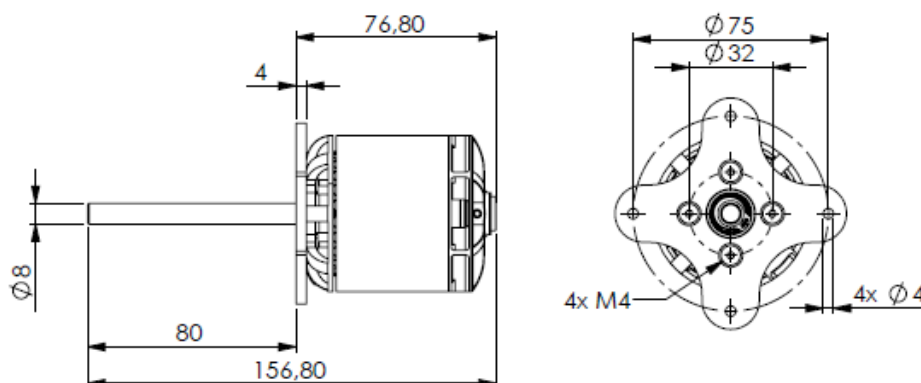
	A60-7M V4 28-Pole Glider / FesEx	A60-7M V4 28-Pole Glider / FesEx	A60-8M V4 28-Pole Glider / FesEx
Prop [RFM]	20x13	18,5x12	20x13
LiPo [Zellenzahl]	10	12	12
Spannung [V]	38	46	46
Strom [A]	64	52	62
Drehzahl [RPM]	6636	8381	6974
Leistung [Watt]	2432	2392	2858

Additional Manual for A60-M 28Pole Glider and FesEx

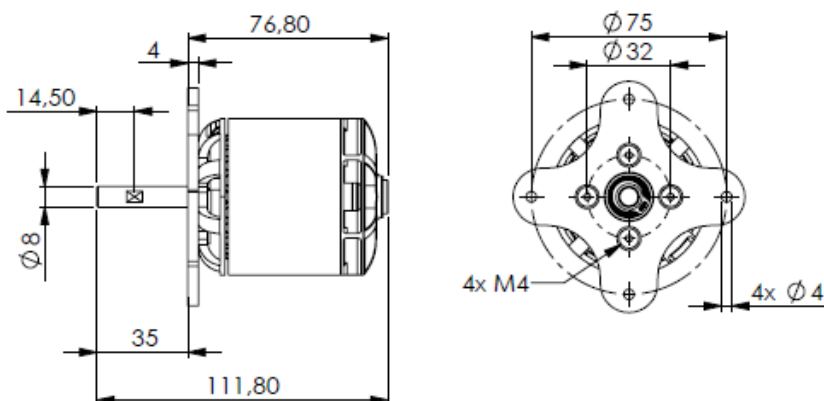
Technical Data:

	A60-7M V4 28-Pole Glider	A60-7M V4 28-Pole FesEx	A60-8M V4 28-Pole Glider	A60-8M V4 28-Pole FesEx
Item No.	15701907	15711907	15701908	15711908
Weight [g]	751	740	742	735
Ri [mOhm]	23	23	30	30
I no load [A] @ 8,4V	1,5	1,5	1,15	1,15

A60-M,28Pole,Glider



A60-M,28Pole,FesEX



recommended Setups:

	A60-7M V4 28-Pole Glider / FesEx	A60-7M V4 28-Pole Glider / FesEx	A60-8M V4 28-Pole Glider / FesEx
Prop [RFM]	20x13	18,5x12	20x13
LiPo [cell count]	10	12	12
Voltage [V]	38	46	46
Current [A]	64	52	62
RPM	6636	8381	6974
Power [Watt]	2432	2392	2858