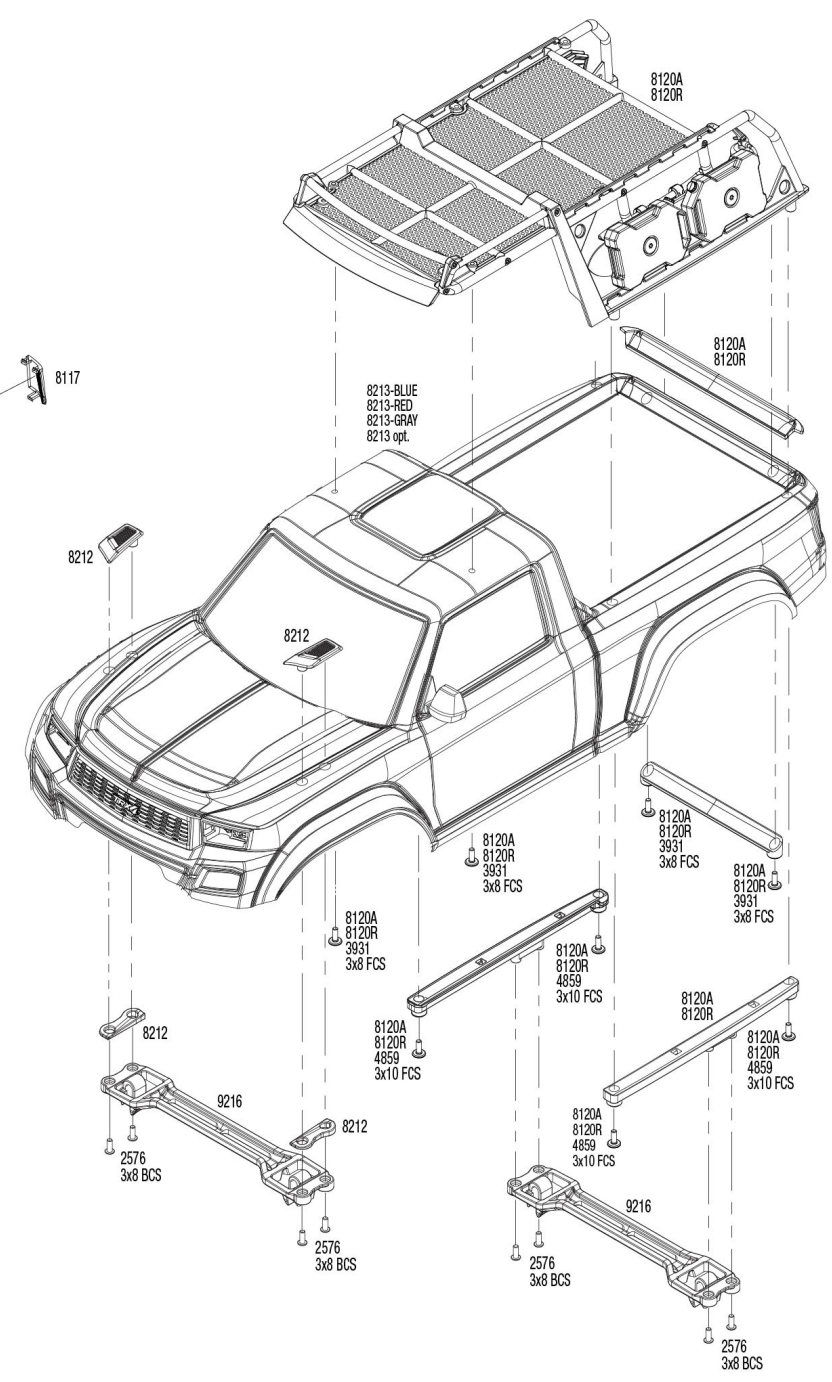
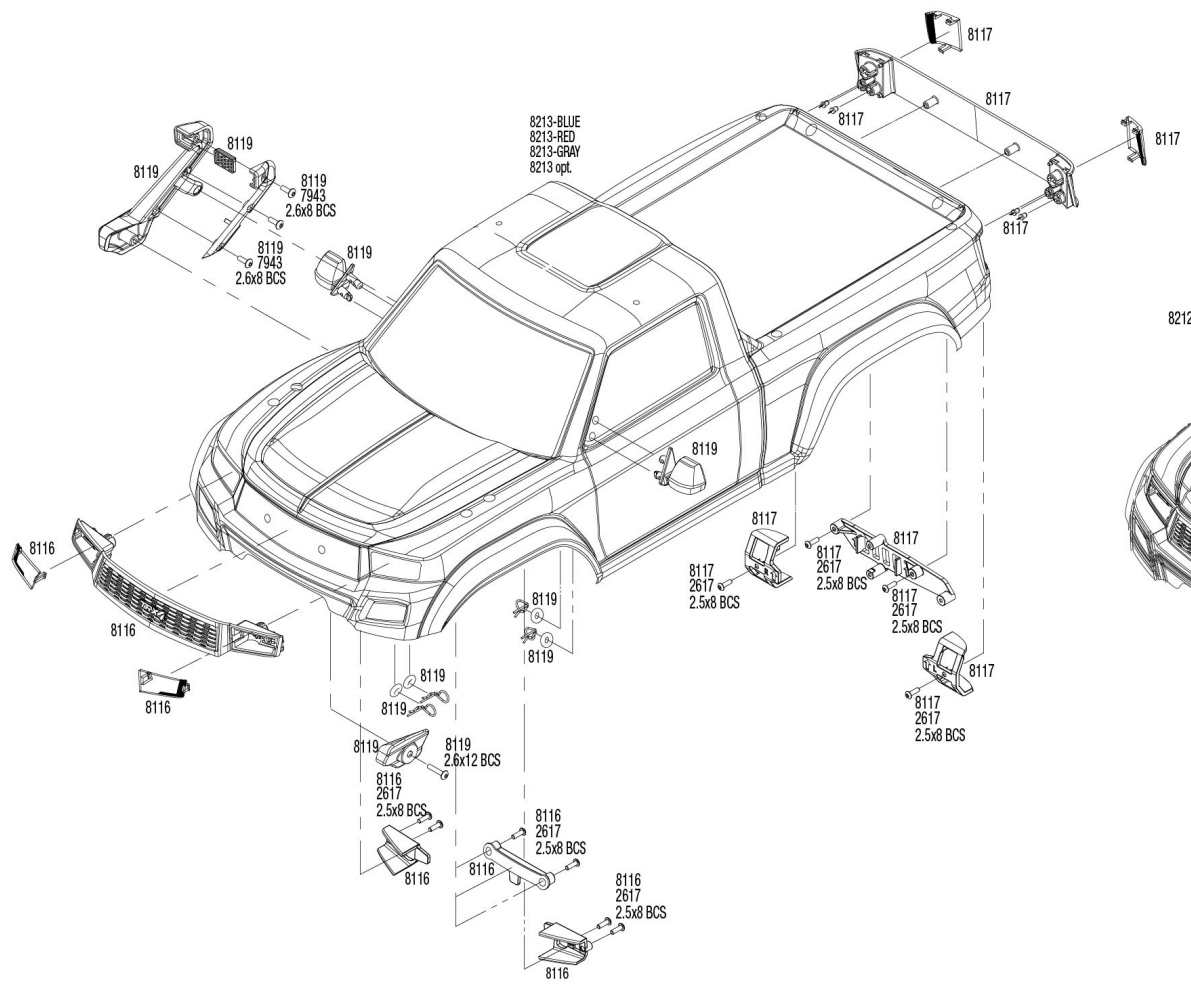




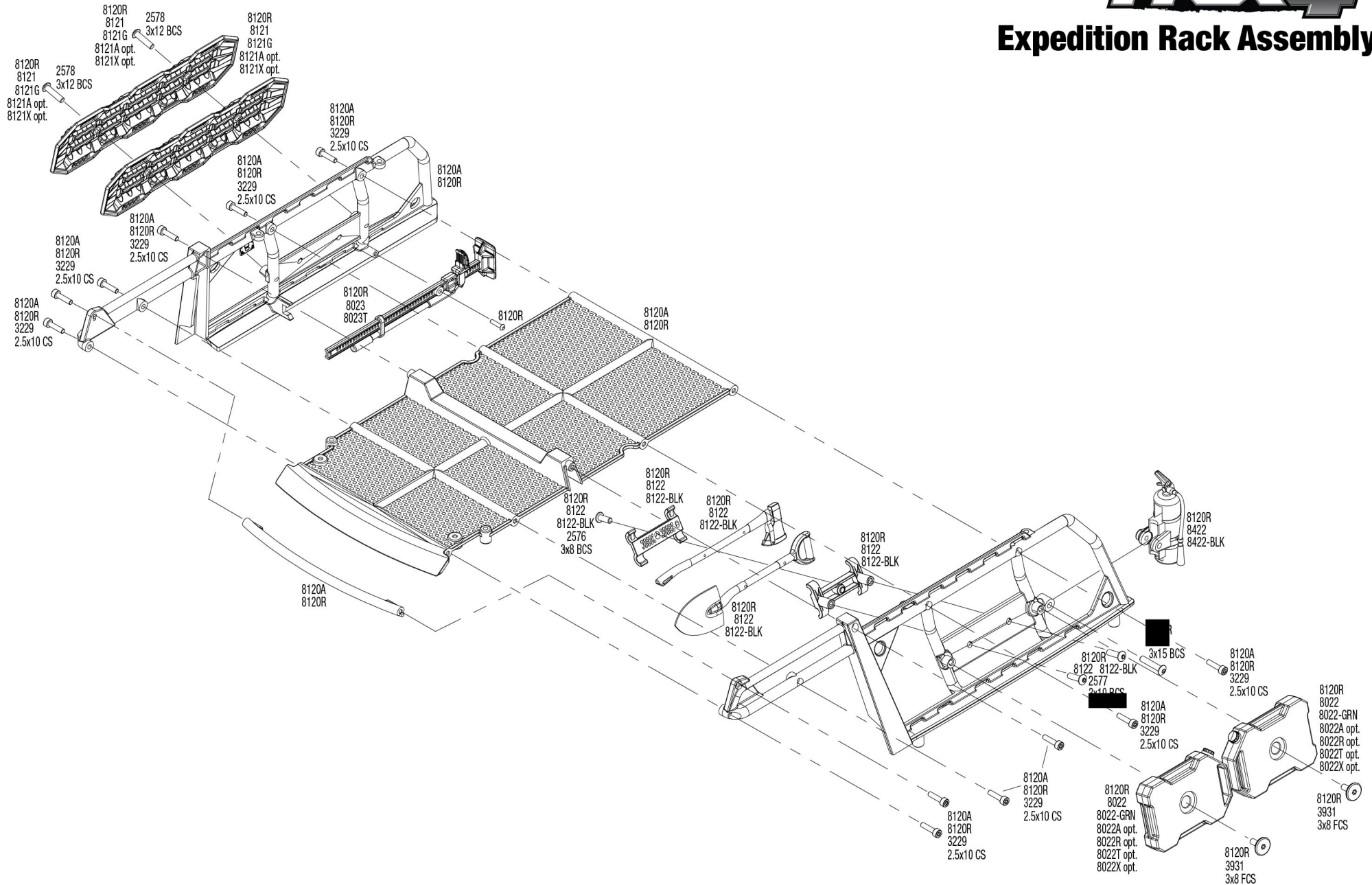
# Body Assembly



See Parts List for a complete listing of optional accessories.

Specifications on this page are subject to change without notice. Every attempt has been made to ensure the accuracy of this drawing; however, Traxxas cannot be held responsible for typographical or other errors.



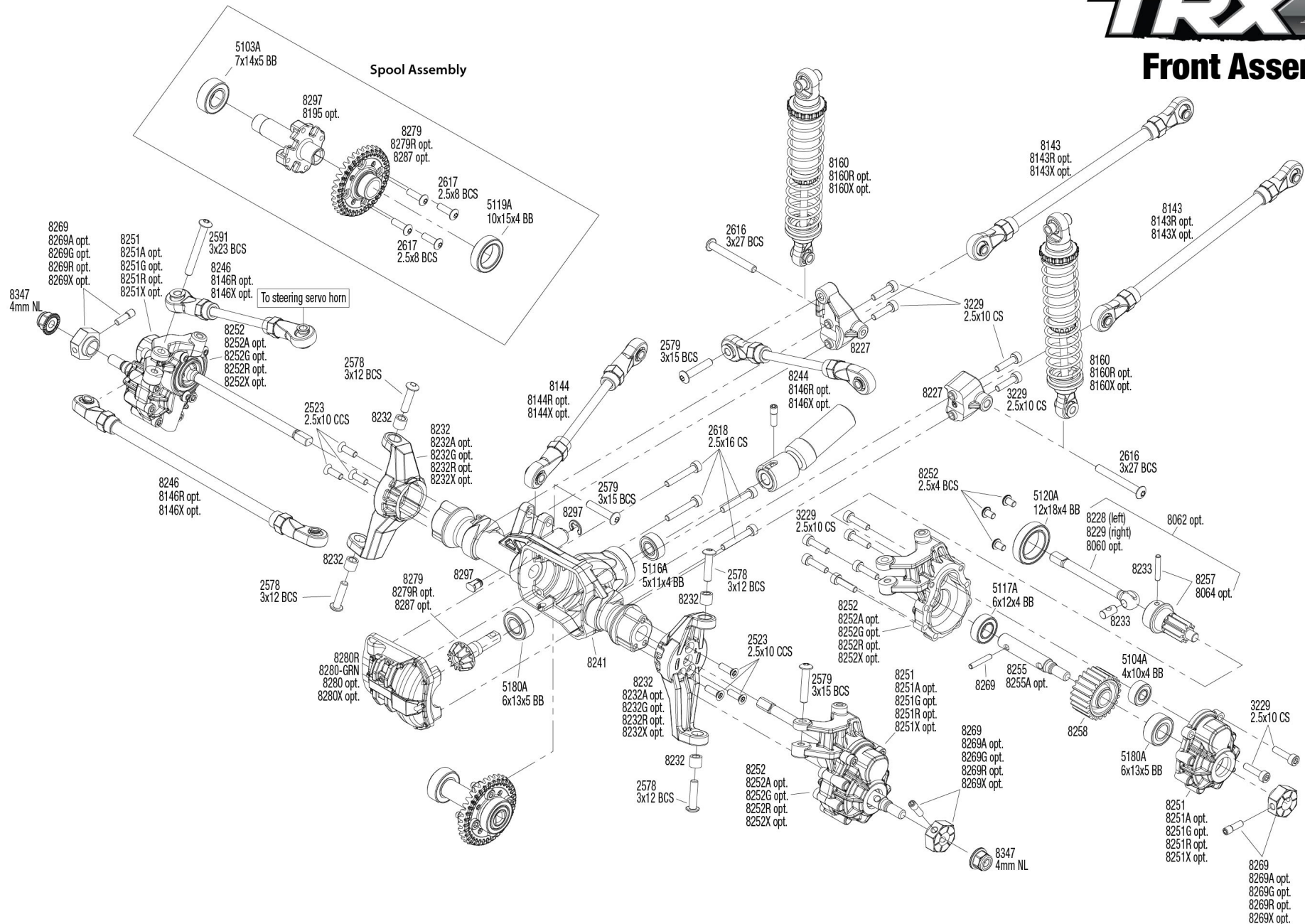


See Parts List for a complete listing of optional accessories.

Specifications on this page are subject to change without notice. Every attempt has been made to ensure the accuracy of this drawing; however, Traxxas cannot be held responsible for typographical or other errors.

# TRX4<sup>®</sup>

## Front Assembly



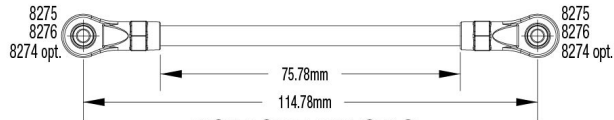
See Parts List for a complete listing of optional accessories.

Specifications on this page are subject to change without notice. Every attempt has been made to ensure the accuracy of this drawing; however, Traxxas cannot be held responsible for typographical or other errors.

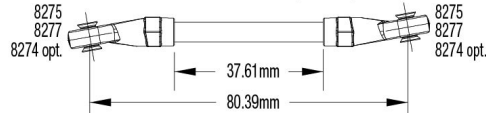
REV 240125-R05



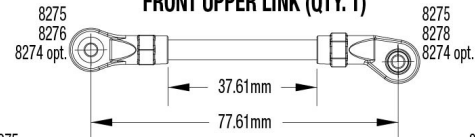
# Link Dimensions



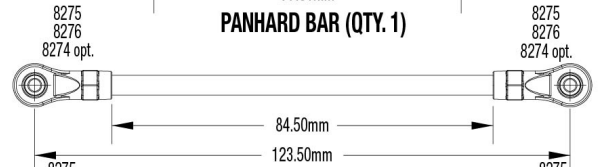
**FRONT LOWER LINK (QTY. 2)**



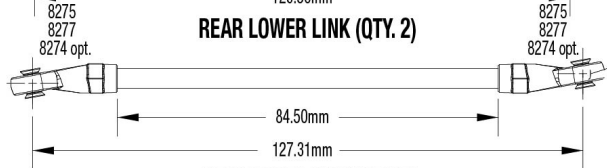
**FRONT UPPER LINK (QTY. 1)**



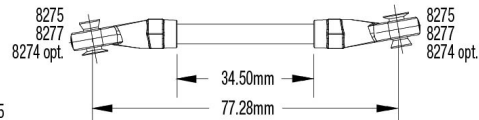
**PANHARD BAR (QTY. 1)**



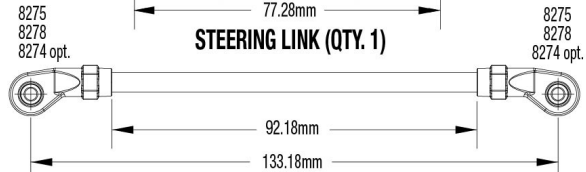
**REAR LOWER LINK (QTY. 2)**



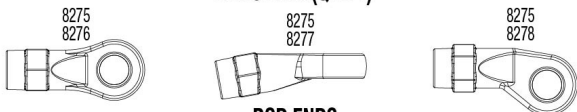
**REAR UPPER LINK (QTY. 2)**



**STEERING LINK (QTY. 1)**



**DRAG LINK (QTY. 1)**

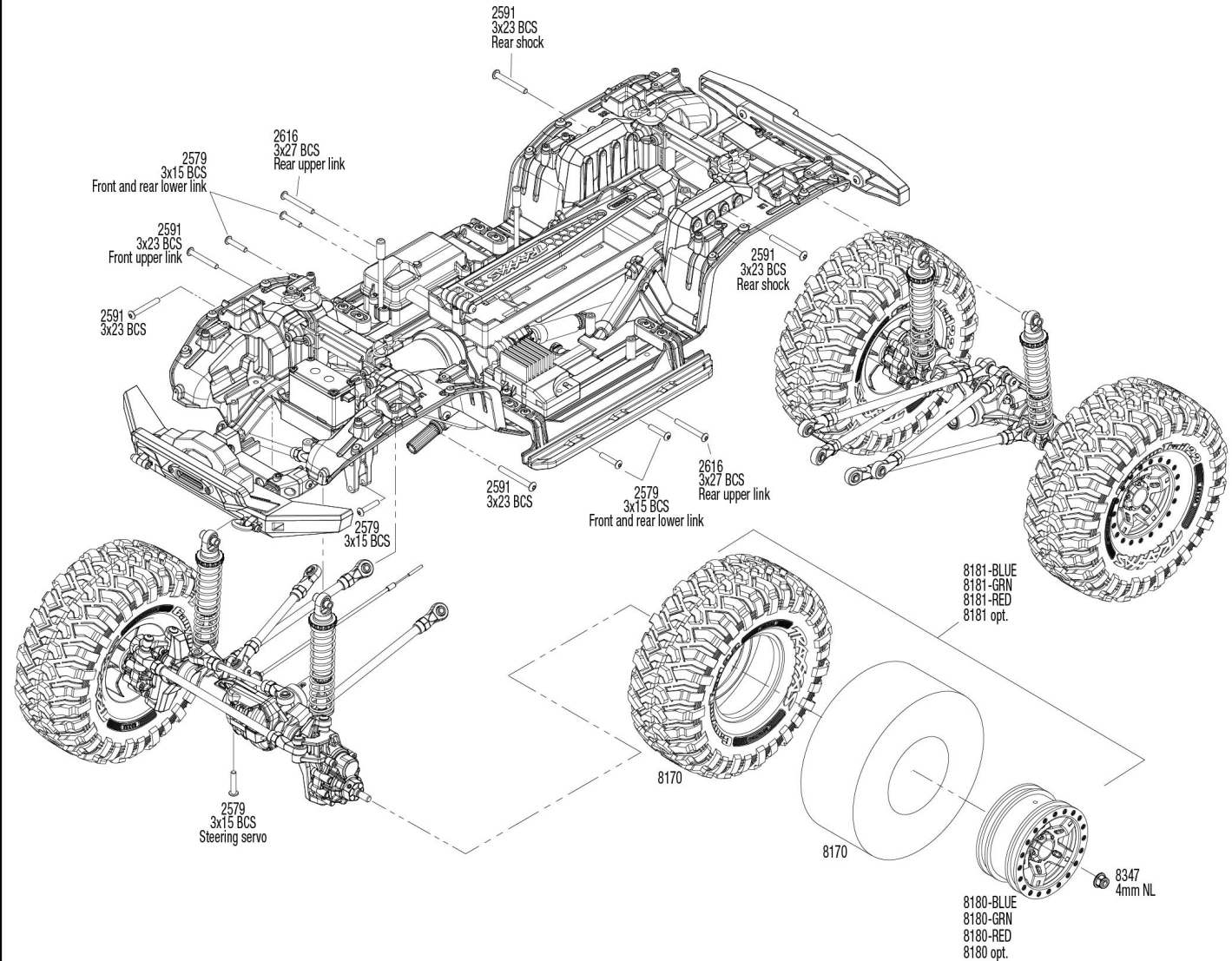


**ROD ENDS**

For standard hollow ball replacement, use part #5349.



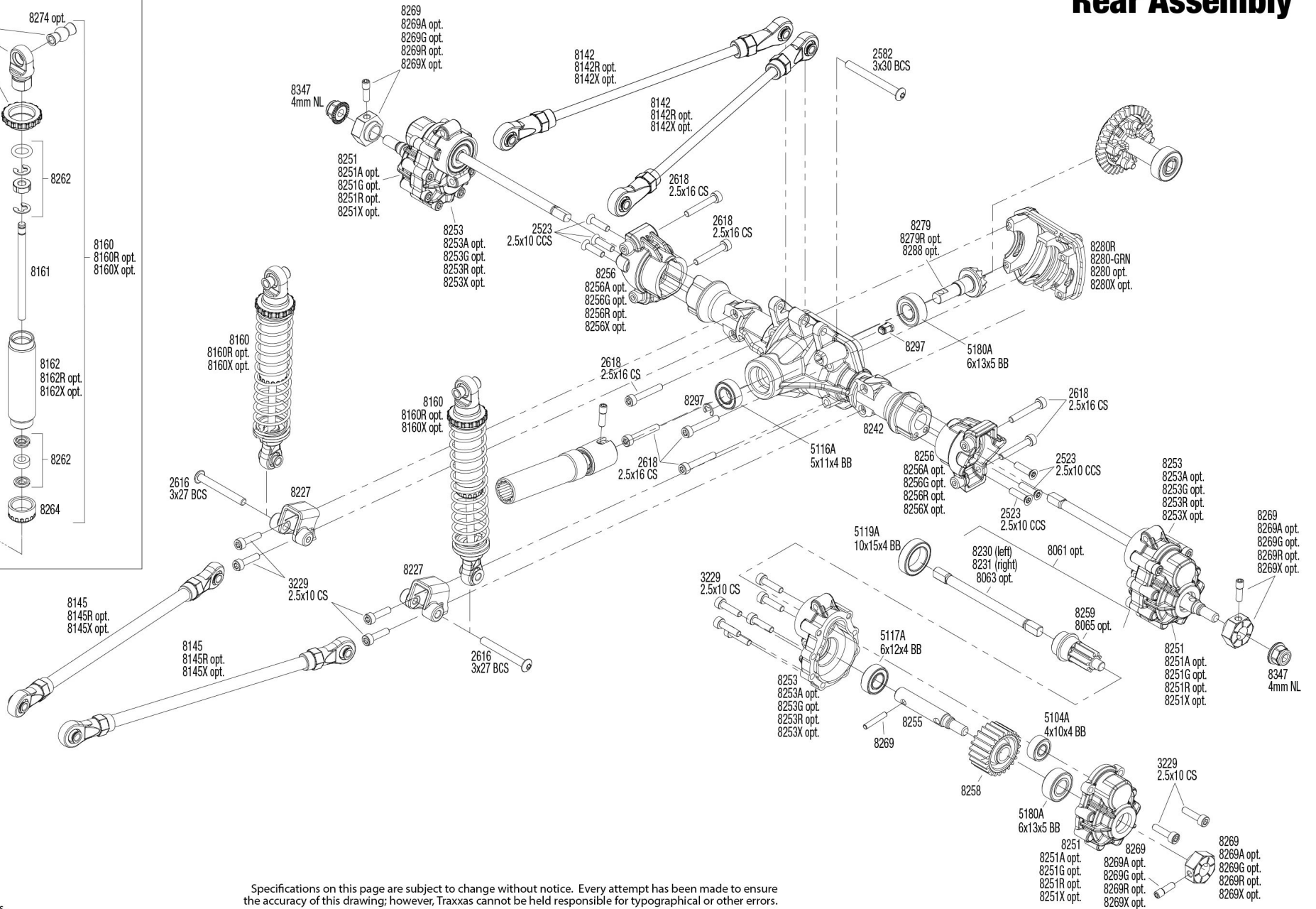
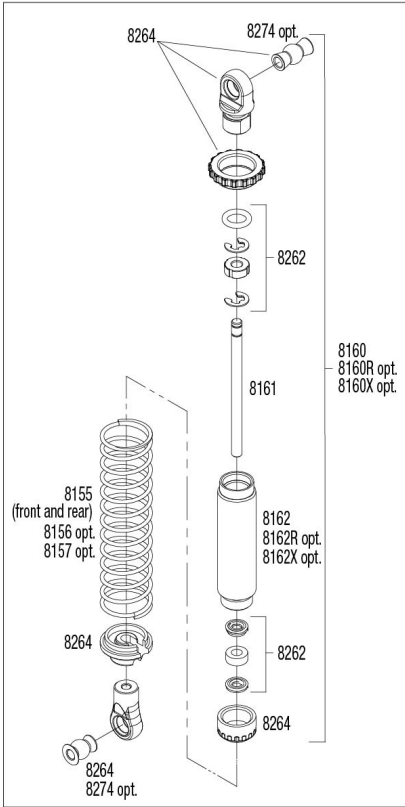
# Modular Assembly



See Parts List for a complete listing of optional accessories.

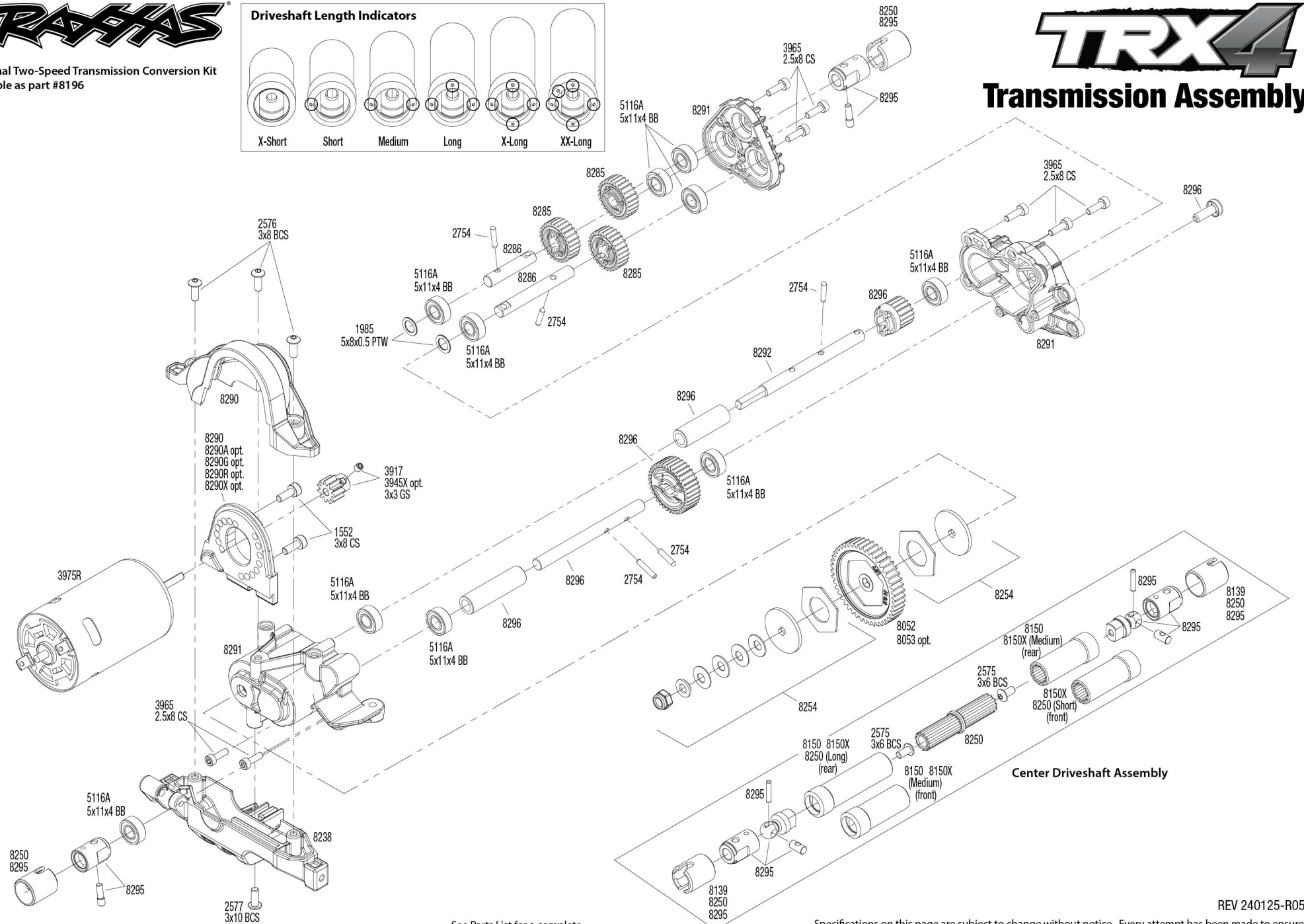
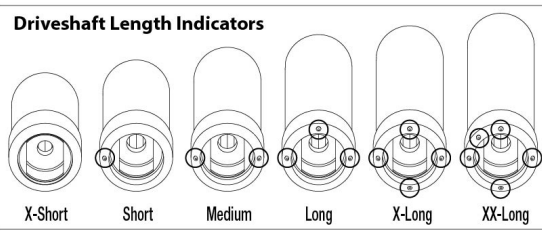
Specifications on this page are subject to change without notice. Every attempt has been made to ensure the accuracy of this drawing; however, Traxxas cannot be held responsible for typographical or other errors.

### Shock Assembly





Optional Two-Speed Transmission Conversion Kit  
available as part #8196



# TRX4

## Transmission Assembly

See Parts List for a complete  
listing of optional accessories.

Specifications on this page are subject to change without notice. Every attempt has been made to ensure the accuracy of this drawing; however, Traxxas cannot be held responsible for typographical or other errors.

REV 240125-R05