

QUICKSTART GUIDE

GUÍA DE INICIO RÁPIDO

GUIDE DE DÉMARRAGE RAPIDE

SCHNELLSTARTANLEITUNG

1/14 8x8 Tonnage Heavy Tow RTR Truck



VV-JD00063

VISIT RC4WD.COM FOR MORE DETAILED INSTRUCTIONS

VISITA RC4WD.COM PARA MÁS INSTRUCCIONES DETALLADAS

CONSULTEZ RC4WD.COM POUR DES INSTRUCTIONS PLUS DÉTAILLÉES

DIMENSIONS

DIMENSIONES // DIMENSIONS // MÄßE



1. Scale: 1/14.
2. Transmission ratio: First gear 1/4.2, Second gear 1/10.9, Third gear 1/27.9.
3. Body weight: 11kg.
4. Body size: 560mm x 200mm x 300mm.
5. Maximum towing weight: 18kg.

1. Escala: 1/14.
2. Relación de transmisión: Primera marcha 1/4,2, Segunda marcha 1/10,9, Tercera marcha 1/27,9.
3. Peso corporal: 11 kg.
4. Tamaño del cuerpo: 560mm x 200mm x 300mm.
5. Peso máximo de remolque: 18 kg.

1. Échelle : 1/14.
2. Rapport de transmission : Première vitesse 1/4,2, Deuxième vitesse 1/10,9, Troisième vitesse 1/27,9.
3. Poids corporel : 11 kg.
4. Taille du corps : 560mm x 200mm x 300mm.
5. Poids de remorquage maximal : 18 kg.

1. Maßstab: 1/14.
2. Übersetzungsverhältnis: Erster Gang 1/4,2, Zweiter Gang 1/10,9, Dritter Gang 1/27,9.
3. Körpergewicht: 11 kg.
4. Körpergröße: 560mm x 200mm x 300mm.

PARTS LIST

LISTA DE PARTES // LISTE DES PIÈCES // LISTE DER EINZELTEILE



1. Main Body.
2. A 10-channel remote control & Instructional Manual.
3. An array of decorative parts for the driver's cabin (Must be manually installed with glue).
4. Hex Sockets.

1. Cuerpo principal.
2. Un control remoto de 10 canales y un manual de instrucciones.
3. Una serie de piezas decorativas para la cabina del conductor (debe instalarse manualmente con pegamento).
4. Dados hexagonales.

1. Corps principal.
2. Une télécommande à 10 canaux et un manuel d'instructions.
3. Un ensemble de pièces décoratives pour la cabine du conducteur (doit être installé manuellement avec de la colle).
4. Douilles hexagonales.

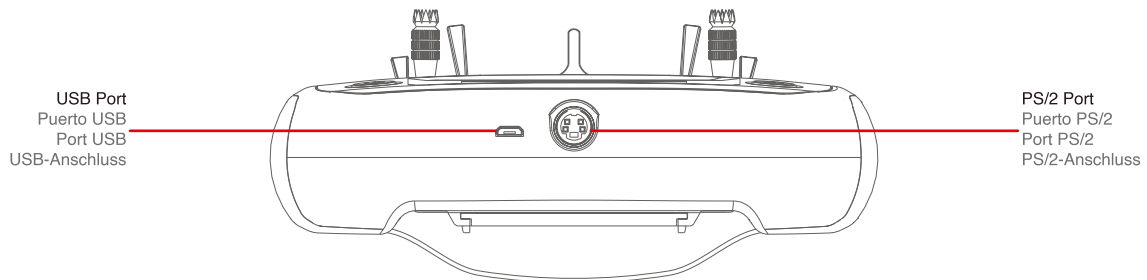
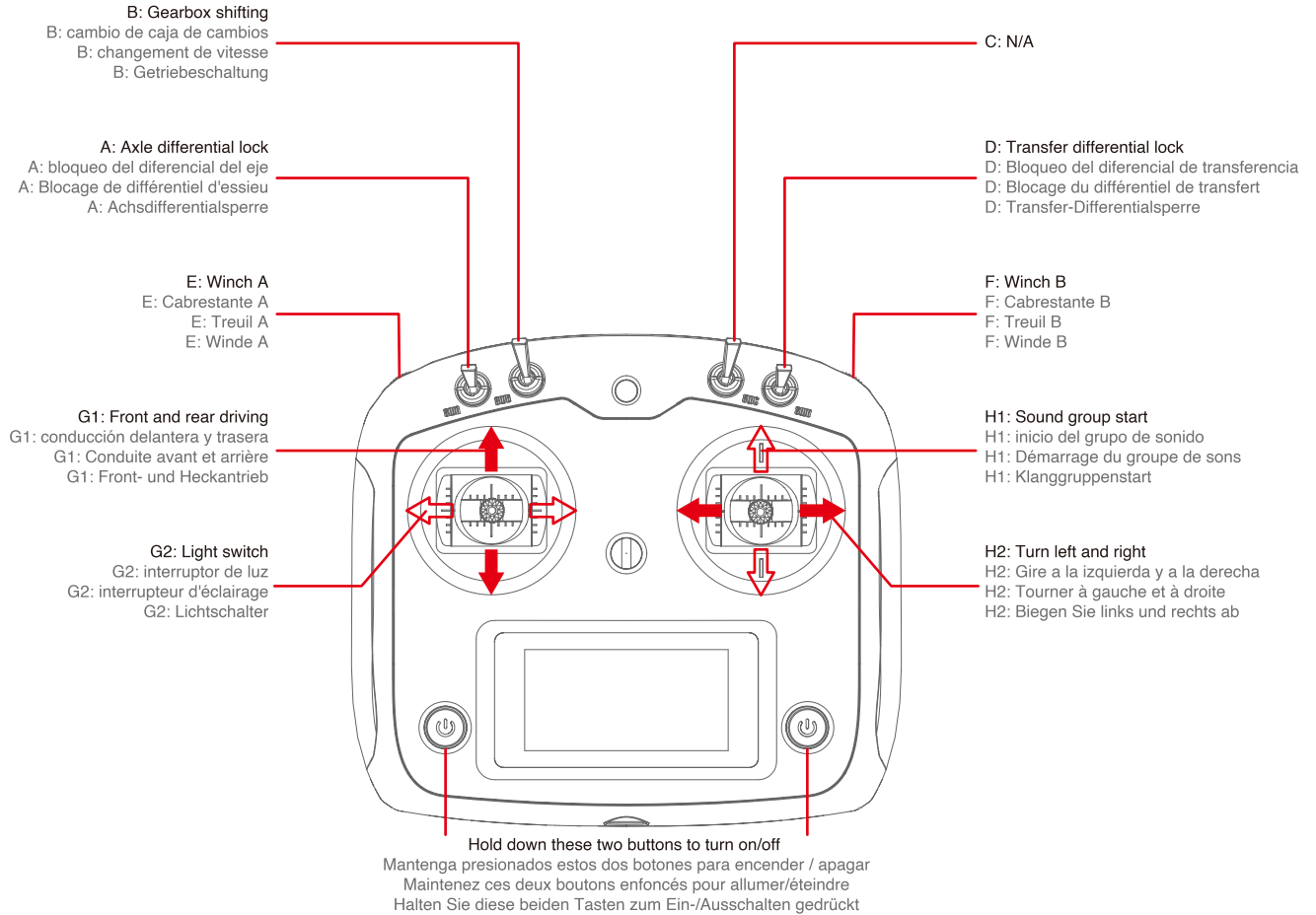
1. Hauptkörper.
2. Eine 10-Kanal-Fernbedienung und Bedienungsanleitung.
3. Eine Reihe von dekorativen Teilen für die Fahrerkabine (muss manuell mit Klebstoff installiert werden).
4. Innensechskant.

REMOTE CONTROL LAYOUT: FS-I6S+IA10B, EQUIPPED WITH 10-CHANNEL RECEIVER

DISEÑO DE CONTROL REMOTO: FS-I6S + IA10B, EQUIPADO CON RECEPTOR DE 10 CANALES //

DISPOSITION DE LA TÉLÉCOMMANDE: FS-I6S+IA10B, ÉQUIPÉE D'UN RÉCEPTEUR 10 CANAUX //

ANORDNUNG DER FERNBEDIENUNG: FS-I6S+IA10B, AUSGESTATTET MIT 10-KANAL-EMPFÄNGER



BATTERY DETAILS

DETALLES DE LA BATERÍA // DÉTAILS DE LA BATTERIE // BATTERIEDETAILS

1. The remote control uses 4 AA batteries.
 2. Using 2S, half speed at 6.5V and shut off at 6V / Using 3S, half speed at 9.75V and shut off at 9V.
 3. The battery size must be no bigger than 140mm in length, 45mm in width, and 25mm in height (Battery must be purchased separately).
1. El mando a distancia utiliza 4 pilas AA.
 2. Usando 2S, velocidad media a 6.5V y apagado a 6V / Usando 3S, velocidad media a 9.75V y apagado a 9V.
 3. El tamaño de la batería no debe ser mayor de 140 mm de largo, 45 mm de ancho y 25 mm de alto (la batería debe comprarse por separado).
1. La télécommande utilise 4 piles AA.
 2. Utilisation 2S, demi-vitesse à 6,5 V et arrêt à 6 V / Utilisation 3S, demi-vitesse à 9,75 V et arrêt à 9 V.
 3. La taille de la batterie ne doit pas dépasser 140 mm de longueur, 45 mm de largeur et 25 mm de hauteur (la batterie doit être achetée séparément).
1. Die Fernbedienung benötigt 4 AA-Batterien.
 2. Bei Verwendung von 2S, halbe Geschwindigkeit bei 6,5 V und Abschaltung bei 6 V / Bei Verwendung von 3S, halbe Geschwindigkeit bei 9,75 V und Abschaltung bei 9 V.
 3. Die Batteriegröße darf nicht größer als 140 mm in der Länge, 45 mm in der Breite und 25 mm in der Höhe sein (Batterie muss separat erworben werden).

BEFORE CONNECTING THE BATTERY

ANTES DE CONECTAR LA BATERÍA // AVANT DE BRANCHER LA BATTERIE // VOR DEM ANSCHLIEßEN DER BATTERIE

First measure the voltage, the voltage should not be lower than 11.1V as shown in the figure:

Primero mida el voltaje, el voltaje no debe ser inferior a 11,1 V como se muestra en la figura:

Mesurez d'abord la tension, la tension ne doit pas être inférieure à 11,1 V comme indiqué sur la figure :

Messen Sie zuerst die Spannung, die Spannung sollte nicht niedriger als 11,1 V sein, wie in der Abbildung gezeigt:



Pay attention to the connection direction!

¡Preste atención a la dirección de conexión! // Attention au sens de connexion ! // Achten Sie auf die Anschlussrichtung!

STEP 1. BOOT SETUP

PASO 1. CONFIGURACIÓN DE ARRANQUE // ÉTAPE 1. CONFIGURATION DE DÉMARRAGE // SCHRITT 1. BOOT-SETUP

1. Make sure that the remote control A/D switch position is up and the B/C switch is in the neutral position, the joystick returns to the neutral position, and you can turn it on after confirmation.
2. Turn on the remote control switch (press the two switches for 2 seconds at the same time), the interface display is turned on, if the switch is not in place, it will sound an alarm, adjust the position of the switch to stop the alarm.
3. Connect the battery to the main vehicle power supply, wait for the signal sound (within about 5 seconds), and then operate after confirming.

1. Asegúrese de que la posición del interruptor A/D del control remoto esté arriba y el interruptor B/C esté en la posición neutral, el joystick vuelve a la posición neutral y puede encenderlo después de la confirmación.
2. Encienda el interruptor de control remoto (presione los dos interruptores durante 2 segundos al mismo tiempo), la pantalla de la interfaz se enciende, si el interruptor no está en su lugar, sonará una alarma, ajuste la posición del interruptor para detener la alarma.
3. Conecte la batería a la fuente de alimentación principal del vehículo, espere el sonido de la señal (dentro de aproximadamente 5 segundos) y luego opere después de confirmar.

1. Assurez-vous que la position du commutateur A/D de la télécommande est vers le haut et que le commutateur B/C est en position neutre, que le joystick revient en position neutre et que vous pouvez l'allumer après confirmation.
2. Allumez l'interrupteur de la télécommande (appuyez sur les deux interrupteurs pendant 2 secondes en même temps), l'affichage de l'interface est allumé, si l'interrupteur n'est pas en place, il sonnera une alarme, ajustez la position de l'interrupteur pour arrêter l'alarme.
3. Connectez la batterie à l'alimentation principale du véhicule, attendez le signal sonore (dans environ 5 secondes), puis utilisez après confirmation.

1. Stellen Sie sicher, dass die Position des A/D-Schalters der Fernbedienung oben und der B/C-Schalter in der neutralen Position ist, der Joystick in die neutrale Position zurückkehrt und Sie ihn nach der Bestätigung einschalten können.
2. Schalten Sie den Fernbedienungsschalter ein (drücken Sie die beiden Schalter für 2 Sekunden gleichzeitig), die Schnittstellenanzeige wird eingeschaltet, wenn der Schalter nicht angebracht ist, ertönt ein Alarm, stellen Sie die Position des Schalters auf Stopp ein der Alarm.
3. Schließen Sie die Batterie an die Hauptstromversorgung des Fahrzeugs an, warten Sie auf den Signalton (innerhalb von etwa 5 Sekunden) und betreiben Sie sie dann nach der Bestätigung.

STEP 1. BOOT SETUP (CONT'D)

PASO 1. CONFIGURACIÓN DE ARRANQUE (CONTINUADO) //

ÉTAPE 1. CONFIGURATION DE DÉMARRAGE (A CONTINUÉ) //

SCHRITT 1. BOOT-SETUP (FORTSETZUNG)

Notice:

- A. If the power-on sequence is reversed, it may cause the ESC to enter the setting mode, causing the ESC to not work normally.
- B. Remote control battery installation: pay attention to the positive and negative poles of the battery during installation.
- C. Before installing the main vehicle battery: measure the voltage first. The voltage cannot be lower than 11V.

Aviso:

- A. Si se invierte la secuencia de encendido, es posible que el ESC entre en el modo de configuración y que el ESC no funcione normalmente.
- B. Instalación de la batería del control remoto: preste atención a los polos positivo y negativo de la batería durante la instalación.
- C. Antes de instalar la batería principal del vehículo: primero mida el voltaje. El voltaje no puede ser inferior a 11V.

Avis:

- A. Si la séquence de mise sous tension est inversée, l'ESC peut entrer en mode de réglage, ce qui empêchera l'ESC de fonctionner normalement.
- B. Installation de la batterie de la télécommande: faites attention aux pôles positifs et négatifs de la batterie lors de l'installation.
- C. Avant d'installer la batterie principale du véhicule : mesurez d'abord la tension. La tension ne peut pas être inférieure à 11V.

Notiz:

- A. Wenn die Einschaltreihenfolge umgekehrt ist, kann dies dazu führen, dass der ESC in den Einstellmodus wechselt und der ESC nicht normal funktioniert.
- B. Batterieeinbau der Fernbedienung: Achten Sie bei der Installation auf den Plus- und Minuspol der Batterie.
- C. Vor dem Einbau der Fahrzeughauptbatterie: zuerst die Spannung messen. Die Spannung darf nicht niedriger als 11V sein.

STEP 2. BATTERY INSTALLATION (THE BATTERY SHOWN IN THE FIGURE IS FOR REFERENCE ONLY)

PASO 2. INSTALACIÓN DE LA BATERÍA (LA BATERÍA QUE SE MUESTRA EN LA FIGURA ES SOLO PARA REFERENCIA) //

ÉTAPE 2. INSTALLATION DE LA BATTERIE (LA BATTERIE ILLUSTRÉE SUR LA FIGURE EST À TITRE INDICATIF UNIQUEMENT) //

SCHRITT 2. BATTERIEINSTALLATION (DIE IN DER ABBILDUNG GEZEIGTE BATTERIE DIENT NUR ALS REFERENZ)



1. Open the fuel tank cap.

1. Abra la tapa del tanque de combustible.

1. Ouvrez le bouchon du réservoir de carburant.

1. Öffnen Sie den Tankdeckel.



2. Plug in the battery.

2. Enchufe la batería.

2. Branchez la batterie.

2. Stecken Sie den Akku ein.



3. Close the fuel tank cap.

3. Cierre la tapa del tanque de combustible.

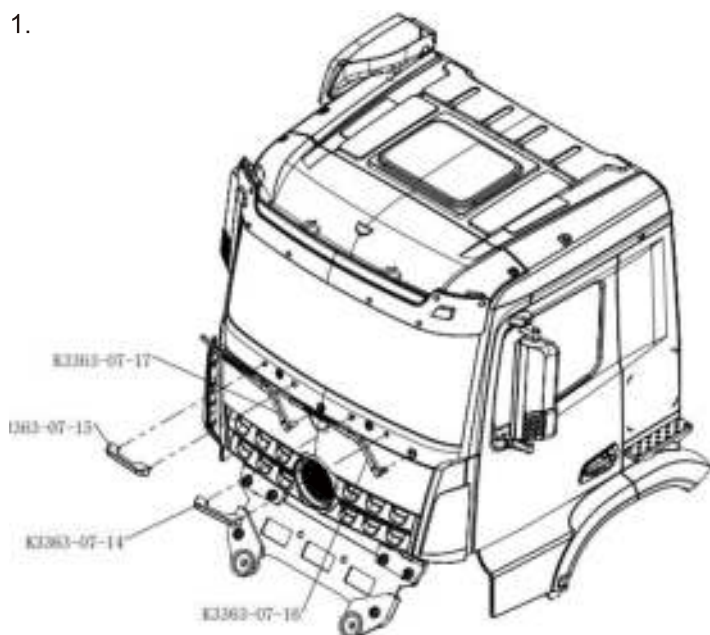
3. Fermez le bouchon du réservoir de carburant.

3. Schließen Sie den Tankdeckel.

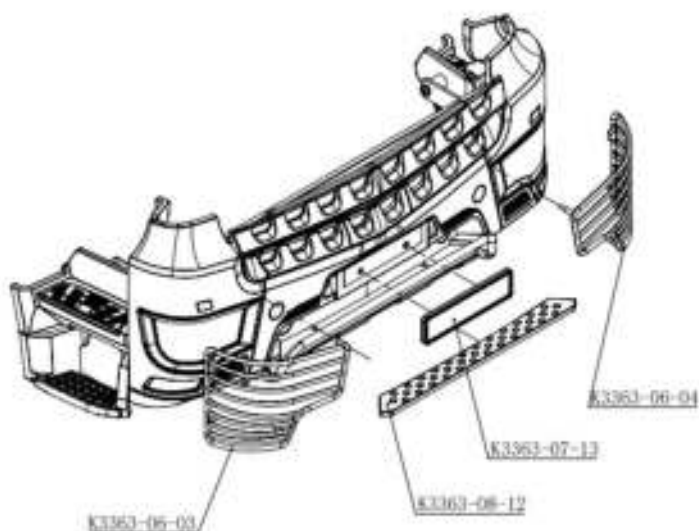
STEP 3. ACCESSORY ASSEMBLY

PASO 3. MONTAJE DE ACCESORIOS // ÉTAPE 3. ASSEMBLAGE DES ACCESSOIRES // SCHRITT 3. ZUBEHÖRMONTAGE

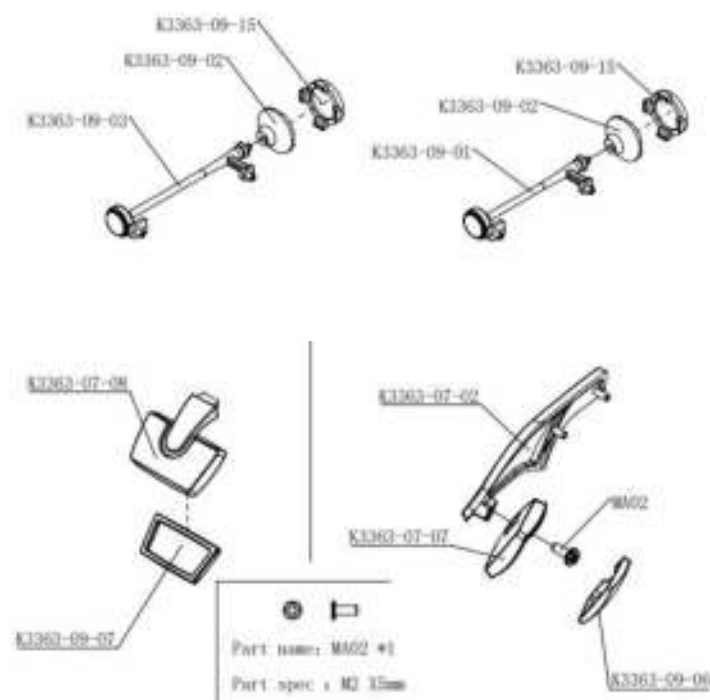
1.



2.



3.



4.



SAFETY INFORMATION

Failure to operate your model in a safe and responsible manner may result in property damage and serious injury. The precautions outlined in this manual should be strictly followed to help ensure safe operation. You alone must see that the instructions are followed and the precautions are adhered to.

Important Points to Remember

- Your model is not intended for use on public roads or congested areas where its operation can conflict with or disrupt pedestrian or vehicular traffic.
- Never, under any circumstances, operate the model in crowds of people. Your model could cause injury if allowed to collide with anyone.
- Because your model is controlled by radio, it is subject to radio interference from many sources that are beyond your control. Since radio interference can cause momentary loss of radio control, always allow a safety margin in all directions around the model in order to prevent collisions.
- The motor, battery, and speed control can become hot during use. Be careful to avoid getting burned.
- Don't operate your model at night, or anytime your line of sight to the model may be obstructed or impaired in any way.
- Most importantly, use good common sense at all times.

Speed Control

Your model's electronic speed control (ESC) is an extremely powerful electronic device capable of delivering high current. Please closely follow these precautions to prevent damage to the speed control or other components.

- **Disconnect the Battery:** Always disconnect the battery from the speed control when not in use.
- **Insulate the Wires:** Always insulate exposed wiring with heat shrink tubing to prevent short circuits.
- **6-7 NiMH cells or 2-3 LiPo cells (2s/3s):** The ESC can accept a maximum input voltage of 8.4 volts (NiMH) or 11.1 volts (3s LiPo). Always adhere to the minimum and maximum limitations of the ESC as stated in the specifications table.
- **Transmitter on First:** Switch on your transmitter first before switching on the speed control to prevent runaways and erratic performance.
- **Don't Get Burned:** The ESC and motor can become extremely hot during use, so be careful not to touch them until they cool. Supply adequate airflow for cooling.
- **Use the Factory-Installed Connectors:** Do not change the battery and motor connectors. Improper wiring can cause fire or damage to the ESC.
- **No Reverse Voltage:** The ESC is not protected against reverse polarity voltage.

Recycling RC4WD 6-Cell 3000mAh NiMH Battery Pack

RC4WD strongly encourages you to recycle RC4WD 6-Cell 3000mAh NiMH Battery Pack batteries when they reach the end of their useful life. Do not throw batteries in the trash. All RC4WD 6-Cell 3000mAh NiMH Battery Packs display the RBRC (Rechargeable Battery Recycling Corporation) icon, indicating they are recyclable. To find a

recycling center near you, ask your local hobby dealer or visit www.call2recycle.org

Your model is able to use LiPo batteries.

Charging and discharging batteries has the potential for fire, explosion, serious injury, and property damage if not performed per the instructions. Before use, read and follow all manufacturer's instructions, warnings, and precautions. In addition, Lithium Polymer (LiPo) batteries pose a SEVERE risk of fire if not properly handled per the instructions and require special care and handling procedures for long life and safe operation. LiPo batteries are intended only for advanced users that are educated on the risks associated with LiPo battery use. RC4WD does not recommend that anyone under the age of 14 use or handle LiPo battery packs without the supervision of a knowledgeable and responsible adult. Dispose of used batteries according to the instructions.

Important Warnings for users of Lithium Polymer (LiPo) batteries:

- LiPo batteries have a minimum safe discharge voltage threshold that should not be exceeded. The electronic speed control is equipped with built-in Low-Voltage Detection that stops the vehicle when LiPo batteries have reached their minimum voltage (discharge) threshold. It is the driver's responsibility to stop immediately to prevent the battery pack from being discharged below its safe minimum threshold.
- Low-Voltage Detection is just one part of a comprehensive plan for safe LiPo battery use. It is critical to follow all instructions for safe and proper charging, use, and storage of LiPo batteries. Make sure you understand how to use your LiPo batteries. If you have questions about LiPo battery usage, please consult with your local hobby dealer or contact the battery manufacturer. As a reminder, all batteries should be recycled at the end of their useful life.
- **ONLY** use a Lithium Polymer (LiPo) balance charger with a balance adapter port to charge LiPo batteries. Never use NiMH or NiCad type chargers or charge modes to charge LiPo batteries. **DO NOT** charge with a NiMH-only charger. The use of a NiMH or NiCad charger or charge mode will damage the batteries and may cause fire and personal injury.
- **NEVER** charge LiPo battery packs in series or parallel. Charging packs in series or parallel may result in improper charger cell recognition and an improper charging rate that may lead to overcharging, cell imbalance, cell damage, and fire.
- **ALWAYS** inspect your LiPo batteries carefully before charging. Look for any loose leads or connectors, damaged wire insulation, damaged cell packaging, impact damage, fluid leaks, swelling (a sign of internal damage), cell deformity, missing labels, or any other damage or irregularity. If any of these conditions are observed, do not charge or use the battery pack. Follow the disposal instructions included with your battery to properly and safely dispose of the battery.
- **DO NOT** store or charge LiPo batteries with or around other batteries or battery packs of any type, including other LiPos.
- Store and transport your battery pack(s) in a cool dry place. **DO NOT** store in direct sunlight. **DO NOT** allow the storage temperature to exceed 140°F or 60°C, such as in the trunk of a car, or the cells may be damaged and create a fire risk.
- **DO NOT** disassemble LiPo batteries or cells.
- **DO NOT** attempt to build your own LiPo battery pack from loose cells.

Charging and handling precautions for all battery types:

- BEFORE you charge, ALWAYS confirm that the charger settings exactly match the type (chemistry), specification, and configuration of the battery to be charged.

- DO NOT attempt to charge non-rechargeable batteries (explosion hazard), batteries that have an internal charge circuit or a protection circuit, batteries that have been altered from original manufacturer configuration, or batteries that have missing or unreadable labels, preventing you from properly identifying the battery type and Specifications.

- DO NOT exceed the maximum manufacturer recommended charge Rate.

- DO NOT let any exposed battery contacts or wires touch each other. This will cause the battery to short circuit and create the risk of fire.

- While charging or discharging, ALWAYS place the battery (all types of batteries) in a fire retardant/fire proof container and on a non-flammable surface such as concrete.

- DO NOT charge batteries inside of an automobile. DO NOT charge batteries while driving in an automobile.

- NEVER charge batteries on wood, cloth, carpet, or on any other flammable material.

- ALWAYS charge batteries in a well-ventilated area.

- REMOVE flammable items and combustible materials from the charging area.

- DO NOT leave the charger and battery unattended while charging, discharging, or anytime the charger is ON with a battery connected. If there are any signs of a malfunction or in the event of an emergency, unplug the charger from the power source and disconnect the battery from the charger.

- DO NOT operate the charger in a cluttered space, or place objects on top of the charger or battery.

- If any battery or battery cell is damaged in any way, DO NOT charge, discharge, or use the battery.

- Keep a Class D fire extinguisher nearby in case of fire.

- DO NOT disassemble, crush, short circuit, or expose the batteries to flame or other source of ignition. Toxic materials could be released. If eye or skin contact occurs, flush with water.

- If a battery gets hot to the touch during the charging process (temperature greater than 110°F / 43°C), immediately disconnect the battery from the charger and discontinue charging.

- Allow the battery pack to cool off between runs (before charging).

- ALWAYS unplug the charger and disconnect the battery when not in use.

- ALWAYS unplug the battery from the electronic speed control when the model is not in use and when it is being stored or transported.

- DO NOT disassemble the charger.

- REMOVE the battery from your model or device before charging.

- DO NOT expose the charger to water or moisture.

- ALWAYS store battery packs safely out of the reach of children or pets. Children should always have adult supervision when charging and handling batteries.

- Nickel-Metal Hydride (NiMH) batteries must be recycled or disposed of properly.

- Always proceed with caution and use good common sense at all times.

INFORMACIÓN DE SEGURIDAD

Si no se utiliza el modelo de forma segura y responsable, se pueden producir daños materiales y lesiones graves. Las precauciones descritas en este manual deben ser seguidas estrictamente para ayudar a asegurar una operación segura. Sólo usted debe ver que se sigan las instrucciones y se respeten las precauciones.

Puntos importantes de recordar

- Su modelo no está destinado a ser utilizado en carreteras públicas o en zonas congestionadas donde su funcionamiento pueda entrar en conflicto o interrumpir el tráfico peatonal o vehicular.
- Nunca, bajo ninguna circunstancia, opere el modelo en multitudes de personas. Su modelo podría causar lesiones si se le permite colisionar con alguien.
- Debido a que su modelo está controlado por radio, está sujeto a interferencias de radio de muchas fuentes que están fuera de su control. Dado que las interferencias de radio pueden causar una pérdida momentánea del control de la radio, siempre hay que dejar un margen de seguridad en todas las direcciones alrededor del modelo para evitar colisiones.
- El motor, la batería y el control de velocidad pueden calentarse durante el uso. Tenga cuidado de no quemarse.
- No opere su modelo por la noche, o en cualquier momento en que su línea de visión con el modelo pueda estar obstruida o impedida de alguna manera.
- Lo más importante es usar el sentido común en todo momento.

Control de velocidad

El control electrónico de velocidad (ESC) de su modelo es un dispositivo electrónico extremadamente poderoso capaz de entregar alta corriente. Por favor, siga de cerca estas precauciones para evitar daños en el control de velocidad u otros componentes.

- Desconecta la batería: Desconecte siempre la batería del control de velocidad cuando no esté en uso.
- Aislar los cables: Aísle siempre los cables expuestos con tubos termorretráctiles para evitar cortocircuitos.
- 6-7 células de NiMH o 2-3 células de LiPo (2s/3s): La ESC puede aceptar un voltaje de entrada máximo de 8,4 voltios (NiMH) o 11,1 voltios (3s LiPo). Siempre respete las limitaciones mínimas y máximas de la ESC como se indica en la tabla de especificaciones.
- Transmisor encendido primero: Encienda su transmisor primero antes de encender el control de velocidad para evitar fugas y un rendimiento errático.
- No se quemé: El ESC y el motor pueden calentarse mucho durante su uso, así que ten cuidado de no tocarlos hasta que se enfríen. Suministrar un flujo de aire adecuado para el enfriamiento.
- Use los conectores instalados de fábrica: No cambie la batería y los conectores del motor. El cableado inadecuado puede causar fuego o daños a la ESC.
- No hay voltaje inverso: El ESC no está protegido contra el voltaje de polaridad inversa.

Reciclaje de la batería RC4WD 6-Cell 3000mAh NiMH

RC4WD te anima a reciclar la batería NiMH de 6 celdas de 3000mAh de RC4WD cuando llegan al final de su vida útil. No tire las pilas a la basura. Todos los paquetes de baterías NiMH RC4WD de 6 celdas de 3000mAh muestran el RBRC (Rechargeable Battery Recycling

de reciclaje cerca de usted, pregunte a su distribuidor local de pasatiempos o visite www.call2recycle.org.

Su modelo es capaz de usar baterías LiPo.

La carga y descarga de las baterías tiene el potencial de incendio, explosión, lesiones graves y daños a la propiedad si no se realiza según las instrucciones. Antes de usarla, lea y siga todas las instrucciones, advertencias y precauciones del fabricante. Además, las baterías de Polímero de Litio (LiPo) suponen un riesgo DIVERSO de fuego si no se manejan adecuadamente según las instrucciones y requiere procedimientos especiales de cuidado y manejo para una larga vida y una operación segura. Las baterías de LiPo están destinadas sólo a usuarios avanzados que son educados sobre los riesgos asociados con el uso de la batería LiPo. RC4WD no recomienda que nadie menor de 14 años use o maneje los paquetes de baterías LiPo sin la supervisión de un adulto responsable. Disponga de las baterías de acuerdo a las instrucciones.

Advertencias importantes para los usuarios de baterías de polímero de litio (LiPo):

- Las baterías LiPo tienen un umbral mínimo de tensión de descarga segura que no debe ser superado. El control electrónico de velocidad está equipado con una detección de bajo voltaje incorporada que detiene el vehículo cuando las baterías LiPo han alcanzado su umbral mínimo de voltaje (descarga). Es responsabilidad del conductor detenerse inmediatamente para evitar que el paquete de baterías se descargue por debajo de su umbral mínimo de seguridad.
- La detección de bajo voltaje es sólo una parte de un plan integral para el uso seguro de la batería LiPo. Es fundamental seguir todas las instrucciones para una carga, uso y almacenamiento seguros y adecuados de las baterías de LiPo. Asegúrate de que entiendes cómo usar tus baterías LiPo. Si tiene preguntas sobre el uso de la batería LiPo, consulte con su distribuidor local de aficiones o póngase en contacto con el fabricante de la batería. Como recordatorio, todas las baterías deben ser recicladas al final de su vida útil.
- SOLO use un cargador de balanza de polímero de litio (LiPo) con un puerto adaptador de balanza para cargar las baterías LiPo. Nunca uses cargadores del tipo NiMH o NiCad o modos de carga para cargar baterías LiPo. NO CARGUE con un cargador de sólo NiMH. El uso de un cargador o modo de carga de NiMH o NiCad dañará las baterías y puede causar fuego y lesiones personales.
- NUNCA cargues los paquetes de baterías de LiPo en serie o en paralelo. La carga de paquetes en serie o en paralelo puede dar lugar a un reconocimiento inadecuado de la célula de carga y a una tasa de carga inadecuada que puede provocar una sobrecarga, un desequilibrio de la célula, daños en la misma y un incendio.
- SIEMPRE inspeccione las baterías de LiPo con cuidado antes de cargarlas. Busca cualquier cable o conector suelto, aislamiento de cable dañado, embalaje de células dañado, impacto daños, fugas de líquido, hinchazón (un signo de daño interno), deformidad celular, falta de etiquetas o cualquier otro daño o irregularidad. Si se observa alguna de estas condiciones, no cargue ni utilice la batería. Siga las instrucciones de eliminación incluidas con la batería para desecharla de forma adecuada y segura.
- NO almacene ni cargue las baterías de LiPo con o cerca de otras baterías o paquetes de baterías de cualquier tipo, incluyendo otros LiPos.

• Guarde y transporte su(s) batería(s) en un lugar fresco y seco. NO lo guarde bajo la luz directa del sol. NO permita que la temperatura de almacenamiento exceda los 140°F o 60°C, como en el maletero de un coche, o las celdas pueden dañarse y crear un riesgo de incendio.

- NO DESMONTA las baterías o celdas de LiPo.
 - No intentes construir tu propia batería de LiPo a partir de células sueltas.
- Precauciones de carga y manejo para todos los tipos de pilas:**
- ANTES de cargar, confirme SIEMPRE que los ajustes del cargador coinciden exactamente con el tipo (químico), la especificación y la configuración de la batería que se va a cargar.
 - NO intente cargar baterías no recargables (peligro de explosión), baterías que tengan un circuito de carga interno o un circuito de protección, baterías que hayan sido alteradas con respecto a la configuración original del fabricante o baterías que tengan etiquetas que falten o que no se puedan leer, lo que impide identificar correctamente el tipo de batería y las especificaciones.
 - NO exceda la tasa máxima de carga recomendada por el fabricante.
 - NO deje que los contactos o cables de la batería expuestos se toquen entre sí. Esto causará que la batería se cortocircuite y creará el riesgo de incendio.
 - Mientras se carga o descarga, coloque SIEMPRE la batería (todos los tipos de baterías) en un contenedor retardante de fuego / a prueba de fuego y en una superficie no inflamable como el hormigón.
 - NO CARGUE las baterías dentro de un automóvil. NO cargue las baterías mientras conduce un automóvil.
 - NUNCA cargue las baterías en madera, tela, alfombra o en cualquier otro material inflamable.
 - Cargue siempre las baterías en un área bien ventilada.
 - Retire los artículos inflamables y materiales combustibles del área de carga.
 - NO deje el cargador y la batería desatendidos mientras se carga, se descarga o cuando el cargador esté ENCENDIDO con una batería conectada. Si hay algún signo de mal funcionamiento o en caso de emergencia, desenchufe el cargador de la fuente de alimentación y desconecte la batería del cargador.
 - NO haga funcionar el cargador en un espacio desordenado ni coloque objetos encima del cargador o de la batería.
 - Si alguna batería o célula de batería está dañada de alguna manera, NO la cargue, descargue, o usar la batería.
 - Mantenga un extintor de incendios de clase D cerca en caso de incendio.
 - NO desmonte, aplaste, haga un cortocircuito o exponga las baterías a la llama o a otra fuente de ignición. Podrían liberarse materiales tóxicos. Si hay contacto con los ojos o la piel, enjuague con agua.
 - Si una batería se calienta al tacto durante el proceso de carga (temperatura superior a 110°F / 43°C), desconéctela inmediatamente del cargador e interrumpa la carga.
 - Deje que el paquete de baterías se enfríe entre cada uso (antes de cargarlo).
 - Desenchufe siempre el cargador y desconecte la batería cuando no esté en uso.
 - Desconecte SIEMPRE la batería del control electrónico de velocidad cuando el modelo no esté en uso y cuando esté siendo almacenado o transportado.
 - NO DESMONTA el cargador.
 - NO exponga el cargador al agua o a la humedad.
 - Guarda siempre los paquetes de baterías de forma segura fuera del alcance de los niños o las mascotas. Los niños siempre deben tener la supervisión de un adulto cuando cargan y manejan las baterías.
 - Las baterías de níquel e hidruro metálico (NiMH) deben ser recicladas o desechadas adecuadamente.
 - Proceda siempre con precaución y utilice el sentido común en todo momento.

INFORMATION SUR LA SÉCURITÉ

Le non-respect des règles de sécurité et de responsabilité peut entraîner des dommages matériels et des blessures graves. Les précautions décrites dans ce manuel doivent être strictement respectées pour garantir un fonctionnement sûr. Vous seul devez veiller à ce que les instructions soient suivies et à ce que les précautions soient respectées.

Points importants à ne pas oublier

- Votre modèle n'est pas destiné à être utilisé sur les voies publiques ou les zones encombrées où son fonctionnement peut entraver ou perturber la circulation des piétons ou des véhicules.
- Ne faites jamais, en aucun cas, fonctionner le modèle dans une foule. Votre modèle pourrait causer des blessures s'il heurtait quelqu'un.
- Comme votre modèle est contrôlé par radio, il est exposé à des interférences radio provenant de nombreuses sources indépendantes de votre volonté. Étant donné que les interférences radio peuvent entraîner une perte momentanée du contrôle radio, prévoyez toujours une marge de sécurité dans toutes les directions autour du modèle afin d'éviter les collisions.
- Le moteur, la batterie et la commande de vitesse peuvent chauffer pendant l'utilisation. Faites attention à ne pas vous brûler.
- N'utilisez pas votre modèle la nuit ou lorsque la vision du modèle peut être obstruée ou altérée de quelque manière que ce soit.
- Surtout, faites preuve de bon sens à tout moment.

Contrôle de la vitesse

Le régulateur électronique de vitesse (ESC) de votre modèle est un dispositif électronique extrêmement puissant, capable de fournir un courant élevé. Veuillez suivre attentivement ces précautions pour éviter d'endommager le régulateur de vitesse ou d'autres composants.

- Débranchez la batterie : Débranchez toujours la batterie du régulateur de vitesse lorsque vous ne l'utilisez pas.
- solez les fils : Toujours isoler les fils exposés avec des gaines thermorétractables pour éviter les courts-circuits.
- 6-7 cellules NiMH ou 2-3 cellules LiPo (2s/3s) : L'ESC peut accepter une tension d'entrée maximale de 8,4 volts (NiMH) ou 11,1 volts (3s LiPo). Respectez toujours les limites minimales et maximales de l'ESC, comme indiqué dans le tableau des spécifications.
- Émetteur allumé en premier : allumez d'abord votre émetteur avant de mettre en marche le régulateur de vitesse pour éviter les emballements et les performances erratiques.
- Ne vous brûlez pas : L'ESC et le moteur peuvent devenir extrêmement chauds pendant l'utilisation, faites donc attention de ne pas les toucher avant qu'ils ne refroidissent. Prévoyez une ventilation suffisante pour le refroidissement.
- Utilisez les connecteurs montés en usine : Ne changez pas les connecteurs de la batterie et du moteur. Un mauvais câblage peut provoquer un incendie ou endommager l'ESC.
- Pas de tension inverse : L'ESC n'est pas protégé contre les inversions de polarité.

Recyclage de la batterie NIMH RC4WD 6-Cellules 3000mAh

RC4WD vous encourage vivement à recycler la batterie NIMH RC4WD 6-cellules 3000mAh lorsqu'elles atteignent la fin de leur vie

NIMH RC4WD 6 cellules 3000mAh recyclées affichent l'icône RBRC (Rechargeable Battery Recycling Corporation), indiquant qu'elles sont recyclables. Pour trouver un centre de recyclage près de chez vous, demandez à votre revendeur de loisirs ou visitez www.call2recycle.org

Votre modèle est capable d'utiliser des batteries LiPo.

Charger et décharger des batteries peut entraîner un incendie, une explosion, des blessures graves et des dommages matériels si les instructions ne sont pas respectées. Avant de l'utiliser, lisez et suivez toutes les instructions, les avertissements et les précautions du fabricant. En outre, les batteries au lithium polymère (LiPo) présentent un risque d'incendie SÉVÈRE si elles ne sont pas manipulées correctement selon les instructions et nécessitent des soins et des procédures de manipulation particuliers pour une longue durée de vie et un fonctionnement sûr. Les batteries LiPo sont destinées uniquement aux utilisateurs avancés qui sont informés des risques associés à l'utilisation des batteries LiPo. RC4WD recommande à toute personne de moins de 14 ans de ne pas utiliser ou manipuler les batteries LiPo sans la supervision d'un adulte responsable et bien informé. Éliminez les batteries usagées conformément aux instructions.

Précautions importantes pour les utilisateurs de batteries au lithium-polymère (LiPo) :

- Les batteries LiPo ont un seuil minimum de tension de décharge sécuritaire qui ne doit pas être dépassé. La commande électronique est équipée d'une détection de basse tension intégrée qui arrête le véhicule lorsque les batteries LiPo ont atteint leur seuil de tension (décharge) minimum. Il incombe au conducteur de s'arrêter immédiatement pour prévenir la décharge complète de la batterie en dessous de son seuil minimum de sécurité.
- La détection de basse tension n'est qu'une partie d'un plan global pour une utilisation sûre des batteries LiPo. Il est essentiel de suivre toutes les instructions pour une charge, utilisation et stockage appropriés et sûrs des batteries LiPo. Assurez-vous de maîtriser l'utilisation de vos batteries LiPo. Si vous avez des questions relatives à l'utilisation des batteries LiPo, contactez votre revendeur local ou le fabricant de la batterie. Rappelons que toutes les batteries doivent être recyclées à la fin de leur vie utile.
- Utilisez UNIQUEMENT un chargeur de balance Lithium Power (LiPo) avec un port adaptateur de balance pour recharger les batteries LiPo. N'utilisez jamais ni de chargeurs de type NiMH ou NiCad ni de modes de charge pour charger des batteries LiPo. NE PAS charger avec un chargeur uniquement de type NiMH.
- NE JAMAIS utiliser de batteries LiPo en série ou en parallèle peut entraîner une mauvaise reconnaissance des cellules du chargeur et un taux de charge incorrect qui peut entraîner une surcharge, un déséquilibre ou endommagement des cellules et un incendie. L'utilisation d'un chargeur ou d'un mode de charge de type NiMH ou NiCad endommagera les batteries et pourrait provoquer un incendie et des blessures.
- Inspectez TOUJOURS soigneusement vos batteries LiPo avant de les charger. Recherchez tout câble ou connecteur desserré, isolant de câble endommagé, emballage de cellules endommagé, dommage d'impact, fuite de liquide, enflure (signe de dommage interne), déformation de cellules, étiquettes manquantes, ou tout autre dommage ou irrégularité. Si l'une de ces conditions est observée, ne chargez pas ou n'utilisez pas le bloc de batteries. Suivez les instructions de disposition fournies avec la batterie pour en disposer correctement et en toute sécurité.

- NE PAS stocker ou charger les batteries LiPo avec ou autour d'autres batteries ou blocs de batteries de tout type, y compris

- Stockez et transportez votre (vos) batterie(s) dans un endroit frais et sec. NE PAS stocker en plein soleil. NE PAS laisser la température de stockage dépasser 60°C ou 140°F, comme dans le coffre d'une voiture, sinon les cellules pourraient être endommagées et créer un risque d'incendie.
 - NE PAS démonter les batteries ou les cellules LiPo.
 - N'essayez pas de construire votre propre batterie LiPo à partir de cellules détachées.
- Précautions de charge et de manipulation pour tous types de batteries :**
- AVANT de charger, vérifiez TOUJOURS que les paramètres du chargeur correspondent exactement au type (chimie), à la spécification et à la configuration de la batterie à charger.
 - N'essayez pas de charger des batteries non rechargeables (risque d'explosion), des batteries qui ont un circuit de charge interne ou un circuit de protection, des batteries qui ont été modifiées par rapport à la configuration originale du fabricant, ou des batteries dont les étiquettes sont manquantes ou illisibles, ce qui vous empêche d'identifier correctement le type de batterie et ses spécifications.
 - Ne pas dépasser le taux de charge maximum recommandé par le fabricant.
 - Ne laissez pas les contacts ou les câbles de la batterie exposés se toucher. Cela provoquerait un court-circuit et créerait un risque d'incendie.
 - Pendant la charge ou la décharge, placez TOUJOURS la batterie (tous les types de batteries) dans un récipient ignifuge/à l'épreuve du feu et sur une surface ininflammable comme le béton.
 - NE PAS charger les batteries à l'intérieur d'une automobile. NE PAS recharger les batteries pendant la conduite d'une automobile.
 - NE JAMAIS recharger les batteries sur du bois, du tissu, de la moquette ou tout autre matériau inflammable.
 - Chargez TOUJOURS les batteries dans un endroit bien ventilé.
 - RETIREZ les objets inflammables et les matériaux combustibles hors de la zone de chargement.
 - NE PAS laisser le chargeur et la batterie sans surveillance pendant la charge ou la décharge, ni lorsque le chargeur est allumé avec une batterie connectée. S'il y a des signes de dysfonctionnement ou en cas d'urgence, débranchez le chargeur de la source d'alimentation et déconnectez la batterie du chargeur.
 - N'utilisez pas le chargeur dans un espace encombré, et ne placez pas d'objets sur le chargeur ou la batterie.
 - Si une batterie ou cellules de batterie est endommagée de quelque manière que ce soit, NE PAS charger, décharger ou utiliser la batterie.
 - Gardez un extincteur de classe D à proximité en cas d'incendie.
 - NE PAS démonter, écraser, court-circuiter ou exposer les batteries à des flammes ou à une autre source d'inflammation. Des matières toxiques pourraient être libérées. En cas de contact avec les yeux ou la peau, rincer à l'eau.
 - Si une batterie devient chaude au toucher pendant le processus de charge (température supérieure à 110°F / 43°C), débranchez immédiatement la batterie du chargeur et interrompez la charge.
 - Laissez la batterie refroidir entre les passages (avant de la charger)
 - Débranchez TOUJOURS le chargeur et déconnectez la batterie
- Débranchez TOUJOURS la batterie du régulateur électronique de vitesse lorsque le modèle n'est pas utilisé et lorsqu'il est stocké ou transporté.
 - NE PAS démonter le chargeur.
 - RETIREZ la batterie de votre modèle ou de votre appareil avant de le recharger.
 - N'exposez pas le chargeur à l'eau ou à l'humidité.
 - Rangez TOUJOURS les batteries en toute sécurité, hors de la portée des enfants ou des animaux de compagnie. Tout enfant doit toujours être sous la surveillance d'un adulte lorsqu'il charge et manipule des batteries.
 - Les batteries au nickel-hydrure métallique (NiMH) doivent être recyclées ou éliminées de manière appropriée.
 - Procédez toujours avec prudence et faites preuve de bon sens en tout temps.

SICHERHEITSINFORMATION

Wenn Sie Ihr Modell nicht sicher und verantwortungsbewusst betreiben, kann dies zu Problemen, Schäden und schweren Verletzungen führen. Die in diesem Handbuch beschriebenen Vorsichtsmaßnahmen sollten strikt befolgt werden, um einen sicheren Betrieb zu gewährleisten. Sie sind verantwortlich, dass diese Anweisungen und Vorsichtsmaßnahmen befolgt werden.

Warnhinweise!

- Ihr Modell ist nicht für den Einsatz auf öffentlichen Straßen vorgesehen und kann zu Konfliktpotential mit Fußgängern und anderen Straßenteilnehmern führen.
- Betreiben Sie das Modell unter keinen Umständen in Menschenmengen, welches bei einem Zusammenstoß zu Verletzungen führen kann.
- Da Ihr Modell über Funk betrieben wird, sind Störungen, auf die Sie keinen Einfluss haben, möglich. Ein kurzzeitiger Funkausfall kann die Kontrolle ihres Modell behindern und zu Problemen führen. Halten Sie immer einen Sicherheitsabstand von allen Störquellen in allen Richtungen ein.
- Der Motor, der Akku und der Fahrtenregler können während des Betriebs heiß werden. Vermeiden Sie Verbrennungen.
- Betreiben Sie Ihr Modell nicht Nachts oder zu einem Zeitpunkt in der die Sichtweite beeinträchtigt wird.
- Verwenden Sie vor allem immer gesunden Menschenverstand.

Fahrtenregler (ESC)

Der Fahrtenregler Ihres Modelles ist ein leistungsstarkes elektronisches Gerät, welches Hochstrom liefert. Bitte befolgen Sie diese Vorsichtsmaßnahmen genau, um Schäden am Fahrtenregler oder anderen Komponenten zu vermeiden.

- Batterie abstecken: Trennen Sie bei Nichtgebrauch immer die Batterie vom Fahrtenregler
- Isolieren Sie die Kabel: Isolieren Sie die freiliegenden Kabeln mit Schrumpfschlauch zur Vermeidung von Kurzschlüssen.
- 6-7 NiMH-Zellen oder 2-3 LiPo-Zellen (2s/3s): Der Fahrtenregler ist für eine maximale Eingangsspannung von 8,4 Volt (NiMH) oder 11,1 Volt (3s LiPo) ausgelegt. Befolgen Sie immer die minimalen und maximalen Werte wie in der Spezifikationstabelle angegeben.
- Sender zuerst einschalten: Schalten Sie zuerst Ihren Sender und anschließend den Fahrtenregler ein, um unkontrollierte Störungen zu vermeiden.
- Verbrennen Sie sich nicht: Der Regler und der Motor können sehr heiß werden. Achten Sie darauf die Teile während des Gebrauchs nicht zu berühren, bis sie abgekühlt sind. Liefern Sie ausreichend Luftstrom zur Kühlung.
- Verwenden Sie die werkseitig installierten Anschlüsse: Tauschen Sie nicht die Akku- und Motoranschlüsse. Eine unsachgemäße Verkabelung kann einen Brand oder eine Beschädigung verursachen.
- Kein Verpolungsschutz: Stecken Sie NIEMALS den Akku verkehrt an!

Recycling RC4WD 6-Zellen 3000mAh NiMH Akku

Jeder Verbraucher ist gesetzlich zur Rückgabe aller gebrauchten und

verbrauchten Batterien bzw. Akkus verpflichtet. Eine Entsorgung über den Hausmüll ist verboten. Alte Batterien und Akkus können unentgeltlich bei den öffentlichen Sammelstellen, in Verkaufsstellen und überall dort abgegeben werden, wo Batterien und Akkus der betreffenden Art verkauft werden.

Ihr Modell kann LiPo-Akkus verwenden.

Laden und Entladen von LiPos kann zu Brand- und Explosionsgefahr, schweren Körperverletzungen und Sachbeschädigungen führen. Befolgen Sie alle Anweisungen, Warnungen und Vorsichtsmaßnahmen des Herstellers. Darüber hinaus stellen Lithium-Polymer-Batterien (LiPo) ein großes Risiko von Feuer dar, wenn nicht ordnungsgemäß den Anweisungen gehandhabt wird. Achten Sie auf die Pflege- und Handhabungsanleitungen für lange Lebensdauer und sicheren Betrieb. LiPo Batterien sind nur für fortgeschrittene Benutzer bestimmt, die über die verbundenen Risiken mit LiPos informiert sind. LiPos sind nicht für Personen unter 14 Jahren geeignet. Die Verwendung von LiPos ist nur unter der Aufsicht eines sachkundigen und verantwortlichen Erwachsenen zu empfehlen. Entsorgen Sie alte LiPos gemäß Ihrer Anleitung.

Wichtige Warnhinweise für LiPos

- LiPo-Akkus haben eine Mindestentladespannung die nicht unterschritten werden darf. Der Fahrtenregler besitzt eine automatische Abschaltung, wenn diese Mindestentladespannung erreicht wird. Wenn dies eintritt, schalten Sie das Fahrzeug ab und laden Sie den LiPo neu auf.
- Achten Sie auf die Lagerung, Temperatur und sicheren ordnungsmäßigen Aufladung. Erkundigen Sie sich in ihrer Anleitung oder wenden Sie sich an Ihren Händler.
- Verwenden Sie AUSSCHLIESSLICH ein Lithium-Polymer-Ladegerät (LiPo) mit einem Balancer-Adapteranschluss zum Laden von LiPo-Akkus. Verwenden Sie niemals NiMH oder NiCd Ladegeräte oder den Lademodus zum Laden von LiPo-Batterien. Dies kann die Batterie beschädigen und Personen-schaden und Brände verursachen.
- Laden Sie niemals LiPo-Akkus in Reihe oder parallel. Aufladen von Packs in Reihe oder parallel können zu einer falschen Erkennung und Lademodus führen. Überladung, Unbalancing der Zellen, Zellschaden und Feuer sind die Folge.
- Überprüfen Sie Ihre LiPo-Akkus IMMER sorgfältig vor der Ladung. Suchen Sie nach losen Kabeln oder Steckern, beschädigte Drahtisolierungen, beschädigte Zellverpackungen, Stossschäden, Flüssigkeitsaustritt, Schwellung (ein Zeichen für innere Schäden), Zellendehmungen oder sonstige Beschädigungen oder Unregelmäßigkeiten. Wenn eine dieser Bedingungen aufgetreten ist, entsorgen Sie die Batterie ordnungsgemäß nach Vorschrift.
- Lagern oder laden Sie LiPo-Akkus NIEMALS mit oder in der Nähe von anderen Batterien oder Akkus jeglicher Art.
- Lagern und transportieren Sie die Akkus an einem kühlen, trockenen Ort. NIEMALS im direkten Sonnenlicht lagern. Vermeiden Sie Temperaturen über 60°C, wie im Kofferraum eines Autos, oder die Zellen könnten beschädigt werden und ein Brandrisiko darstellen.
- Zerlegen Sie LiPo-Batterien oder -Zellen NIEMALS!
- Versuchen Sie NIEMALS, einen eigenen LiPo-Akku aus losen Zellen zu basteln.

Vorsichtsmaßnahmen beim Laden und Umgang mit allen Batterietypen:

- Vergewissern Sie sich **IMMER**, dass das Ladegerät und die Spezifikation des Akkus übereinstimmen.
 - Versuchen Sie **NICHT**, nicht wiederaufladbare Batterien aufzuladen (Explosionsgefahr). Dies gilt auch für Batterien mit fehlenden oder nicht lesbaren Etiketten oder deren Batterietyp nicht identifizierbar ist.
 - Überschreiten Sie **NICHT** die vom Hersteller empfohlene Ladekapazität.
 - Achten Sie darauf, dass sich keine Batteriekontakte oder Kabel berühren. Dadurch wird die Batterie kurzgeschlossen und es besteht Brandgefahr.
 - Legen Sie beim Laden oder Entladen den Akku immer auf eine nicht brennbare, hitzebeständigen und nicht leitenden Unterlage!
 - Laden Sie die Batterien **NICHT** im Auto oder während der Fahrt auf.
 - Laden Sie Batterien **NIEMALS** auf Holz, Stoff, Teppich oder anderen brennbaren Materialien auf.
 - Laden Sie Batterien **IMMER** in einem gut belüfteten Bereich.
 - Auch sind brennbare oder leicht entzündliche Gegenstände von der Ladeanordnung fernzuhalten.
 - Akkus dürfen nur unter Aufsicht geladen werden. Wenn es Anzeichen für eine Fehlfunktion gibt ziehen Sie im Notfall das Ladegerät aus der Steckdose und trennen Sie den Akku vom Ladegerät.
 - Stellen Sie keine Gegenstände auf dem Ladegerät oder Akku ab.
 - Wenn eine Batterie oder Zelle in irgendeiner Weise beschädigt ist, laden oder entladen Sie diesen **NICHT** auf. Verwenden Sie diesen Akku nicht!
 - Im Brandfall einen Feuerlöscher der Klasse D in der Nähe aufbewahren.
 - Zerlegen, quetschen, kurzschließen oder setzen Sie die Batterien **NICHT** Flammen oder andere Zündquellen aus. Es können giftige Stoffe freigesetzt werden. Bei Augenkontakt oder Hautkontakt mit Wasser abspülen.
 - Wenn sich ein Akku während des Ladevorgangs heiß anfühlt (Temperatur über 43°C), sofort trennen. Nehmen Sie den Akku aus dem Ladegerät und beenden Sie den Ladevorgang.
 - Lassen Sie den Akku zwischen den Läufern abkühlen (vor dem Aufladen).
 - Bei Nichtbenutzung ziehen Sie **IMMER** den Stecker aus der Steckdose und stecken Sie den Akku ab.
 - Trennen Sie den Akku **IMMER** vom Fahrtenregler, wenn das Modell nicht verwendet wird, sowie beim Transport oder Lagerung.
 - Zerlegen Sie das Ladegerät **NICHT**!
 - **ENTFERNEN** Sie den Akku aus Ihrem Modell oder Gerät, bevor Sie den Akku aufladen.
 - Setzen Sie das Ladegerät **NICHT** Wasser oder Feuchtigkeit aus.
- Lagern Sie Akkus **IMMER** außerhalb der Reichweite von Kindern oder Haustieren. Kinder sollten immer von Erwachsenen beaufsichtigt werden, während des Ladens und Handhabens von Batterien.
 - Alle Batterien und LiPos müssen recycelt werden oder ordnungsgemäß entsorgt.
 - Gehen Sie immer vorsichtig vor und verwenden Sie Ihren gesunden Menschenverstand.

WARRANTY

This product is made for heavy duty usage. Since there is no plastic parts, its designed to last. But hydraulic pump, hoses and electronics system can break over time. Do not let the system overheat during usage. We will have all spare parts available for sell. Pump, hoses are electronics system is not covered under warranty, but we do guarantee fully functional at arrival. Each unit is full tested twice before we ship.

FCC and Regulatory Compliance

FCC Compliance: This device contains a module that complies with the limits for a Class B digital device as described in part 15 of the FCC rules. Operation is subject to the following two conditions: (1) This device may not cause harmful interference, and (2) this device must accept any interference received, including interference that may cause undesired operation.

The limits for a Class B digital device are designed to provide reasonable protection against harmful interference in residential settings. This product generates, uses and can radiate radio frequency energy, and, if not operated in accordance with the instructions, may cause harmful interference to radio communications. The user is cautioned that changes or modifications not expressly approved by the party responsible for compliance could void the user's authority to operate the equipment.

Canada, Industry Canada (IC): This Class B digital apparatus complies with Canadian ICES-003 and RSS-210. This device complies with Industry Canada license exempt RSS standard(s). Operation is subject to the following two conditions: This device may not cause interference, and This device must accept any interference, including interference that may cause undesired operation of the device.

Radio Frequency (RF) Exposure Statement: This equipment complies with radio frequency exposure limits set forth by FCC and Industry Canada for an uncontrolled environment. This equipment should be installed and operated with a minimum distance of 20 centimeters between the radiator and your body or bystanders and must not be co-located or operating in conjunction with any other antenna or transmitter.

This model is not intended for use by children under 14 years of age without the supervision of a responsible and knowledgeable adult.

- 1.Operational Frequency of the device: 2.41-2.48 Mhz.
- 2.Maximum Radio Frequency Power: <20Ddbm.

GARANTÍA

Este producto está hecho para uso pesado. Como no hay piezas de plástico, está diseñado para durar. Pero bomba hidráulica, mangueras y el sistema electrónico puede romperse con el tiempo. No permita que el sistema se sobrecaliente durante el uso. Tendremos todos los repuestos disponibles en venta. La bomba, las mangueras son sistemas electrónicos que no están cubiertos por la garantía, pero sí garantizamos un funcionamiento completo a la llegada. Cada unidad se prueba por completo dos veces antes de enviar.

La FCC y el cumplimiento de la normativa

Cumplimiento de la FCC: Este dispositivo contiene un módulo que cumple con los límites de un dispositivo digital de Clase B, tal como se describe en la parte 15 de las normas de la FCC. La operación está sujeta a las dos condiciones siguientes: (1) Este dispositivo no puede causar interferencias perjudiciales, y (2) este dispositivo debe aceptar cualquier interferencia recibida, incluida la interferencia que pueda causar un funcionamiento no deseado.

Los límites de un dispositivo digital de clase B están diseñados para proporcionar una protección razonable contra las interferencias perjudiciales en entornos residenciales. Este producto genera, utiliza y puede irradiar energía de radiofrecuencia y, si no se utiliza de acuerdo con las instrucciones, puede causar interferencias perjudiciales para las comunicaciones de radio. Se advierte al usuario que los cambios o modificaciones que no hayan sido expresamente aprobados por la parte responsable del cumplimiento podrían anular la autoridad del usuario para operar el equipo.

Canadá, Industry Canada (IC): Este aparato digital de clase B cumple con las normas canadienses ICES-003 y RSS-210. Este dispositivo cumple con los estándares RSS exentos de licencia de Industry Canada. La operación está sujeta a las dos condiciones siguientes: Este dispositivo no puede causar interferencias, y Este dispositivo debe aceptar cualquier interferencia, incluyendo las interferencias que puedan causar un funcionamiento no deseado del dispositivo.

Declaración de exposición a la radiofrecuencia (RF): Este equipo cumple con los límites de exposición a la radiofrecuencia establecidos por la FCC e Industry Canada para un entorno no controlado. Este equipo debe ser instalado y operado con una distancia mínima de 20 centímetros entre el radiador y su cuerpo o los transeúntes y no debe ser colocado o operado en conjunto con ninguna otra antena o transmisor.

Este modelo no está destinado a ser utilizado por niños menores de 14 años de edad sin la supervisión de un adulto responsable y conocedor.

1. Frecuencia de funcionamiento del dispositivo: 2.41-2.48 Mhz.
2. Potencia máxima de radiofrecuencia: <20Ddbm.

GARANTIE

Ce produit est conçu pour un usage intensif. Puisqu'il n'y a pas de pièces en plastique, c'est conçu pour durer. Mais pompe hydraulique, tuyaux et le système électronique peut se briser avec le temps. Ne laissez pas le système surchauffer pendant l'utilisation. Nous aurons toutes les pièces de rechange disponibles à vendre. La pompe, les flexibles sont un système électronique n'est pas couvert par la garantie, mais nous garantissons pleinement fonctionnel à l'arrivée. Chaque unité est entièrement testée deux fois avant l'expédition.

FCC et la conformité réglementaire

Conformité FCC : Cet appareil contient un module conforme aux limites applicables aux appareils numériques de classe B, telles que décrites dans la partie 15 des règles FCC. Son utilisation est soumise aux deux conditions suivantes : (1) Ce dispositif ne doit pas causer d'interférences nuisibles, et (2) ce dispositif doit accepter toute interférence reçue, y compris les interférences qui peuvent causer un fonctionnement non désiré.

Les limites pour un appareil numérique de classe B sont conçues pour fournir une protection raisonnable contre les interférences nuisibles en milieu résidentiel. Ce produit génère, utilise et peut émettre de l'énergie de fréquence radio et, s'il n'est pas utilisé conformément aux instructions, il peut causer des interférences nuisibles aux communications radio. Nous avertissons l'utilisateur que les changements ou modifications non expressément approuvés par la partie responsable de la conformité pourraient annuler l'autorisation de l'utilisateur à utiliser l'équipement.

Canada, Industry Canada (IC) : Cet appareil numérique de classe B est conforme aux normes canadiennes ICES-003 et RSS-210. Cet appareil est conforme à la (aux) norme(s) RSS exempté(s) de licence Industry Canada. Le fonctionnement est soumis aux deux conditions suivantes : Cet appareil ne doit pas causer d'interférences, et il doit accepter toutes les interférences, y compris celles qui peuvent provoquer un fonctionnement indésirable de l'appareil.

Déclaration sur l'exposition aux radiofréquences (RF) : Cet équipement est conforme aux limites d'exposition aux radiofréquences établies par la FCC et Industry Canada pour un environnement non contrôlé. Cet appareil doit être installé et utilisé avec une distance minimale de 20 centimètres entre le radiateur et votre corps ou les personnes présentes et ne doit pas être placé ou utilisé conjointement avec une autre antenne ou un autre émetteur.

Ce modèle n'est pas destiné à être utilisé par des enfants de moins de 14 ans sans la supervision d'un adulte responsable et compétent.

1. Fréquence de fonctionnement de l'appareil : 2,41-2,48 Mhz.
2. Puissance maximale des radiofréquences : <20Ddbm.

GARANTIE

Dieses Produkt ist für den harten Einsatz konzipiert. Da es keine Kunststoffteile gibt, ist es auf Langlebigkeit ausgelegt. Aber Hydraulikpumpe, Schläuche und das elektronische System kann im Laufe der Zeit kaputt gehen. Lassen Sie das System während des Gebrauchs nicht überhitzen. Wir haben alle Ersatzteile zur Verfügung zu verkaufen. Pumpe, Schläuche sind Elektroniksystem ist nicht von der Garantie abgedeckt, aber wir garantieren voll funktionsfähig bei der Ankunft. Jede Einheit wird vor dem Versand zweimal vollständig getestet.

Quickstart

1. Legen Sie den Fahrakku vollgeladen in das Fahrzeug ein und stecken Sie diesen an.
2. Legen Sie 4 AA Alkaline Batterien in den dafür vorgesehenen Schacht der Fernsteuerung ein und schalten Sie diese ein.
3. Stellen Sie den Schiebetaster des Reglers auf ON.
4. Setzen Sie die Karosserie auf und befestigen Sie diese mit den vorgesehenen Schrauben und Splinten.

Wartungshinweise

Dieses Gerät benötigt regelmäßige Wartungsvorgänge. Überprüfen Sie vor jeder Inbetriebnahme den Sitz aller Schrauben und das gesamte Gerät auf Beschädigungen. Ebenso ist der Akku zu überprüfen - verwenden Sie niemals einen beschädigten Akku! (Bspw Aufblähungen, perforierte Außenhülle, Quetschungen, etc.) Kontrollieren Sie vor Fahrtantritt, ob der Antrieb leicht zu drehen ist. Wenn das Gerät Feuchtigkeit ausgesetzt wurde, lassen Sie es vor der Verwendung vollständig austrocknen und schmieren Sie alle beweglichen Antriebsteile mit einem geeigneten Getriebefett regelmäßig nach.

Hochfrequenz Hinweise (HF)

Dieses Gerät entspricht den von FCC und Industry Canada festgelegten Grenzwerten für Hochfrequenz für ein unkontrolliertes Umfeld. Dieses Gerät sollte maximal mit einem Mindestabstand von 20 Zentimeter zwischen Sender und dem Benutzer oder umstehenden Personen betrieben werden. Das Gerät nicht mit anderen Antennen oder Empfänger betreiben.

Dieses Modell ist nicht für Kinder unter 14 Jahren ohne Aufsicht eines verantwortlichen Erwachsenen.

1. Die Betriebsfrequenz des Geräts beträgt: 2405-2478 GHz.
2. Die maximale Radiofrequenzleistung beträgt: 3,9 dBm.

European Union Declarations of Conformity

(This page contains a list of PDF documents. To view these files, download the following free software. Get Adobe® Reader®)

RC4WD hereby declares, that the product VV-JD00063 "1/14 8x8 Tonnage Heavy Tow RTR Truck" complies with the Directive 2014/53/EU when used for its intended purpose. The full-length version of the DoC can be found here: <https://rc4wd.com/go/docs>

Spanish:

RC4WD declara, que el producto VV-JD00063 "1/14 8x8 Tonnage Heavy Tow RTR Truck" cumple con el Directivo 2014/53/EU cuando es usado en su propósito correcto. Una versión de el DoC se encuentra aqui: <https://rc4wd.com/go/docs/>

French:

RC4WD déclare par la présente que le produit VV-JD00063 "1/14 8x8 Tonnage Heavy Tow RTR Truck" est conforme à la directive européenne 2014/53/EU sous condition que son usage initial soit respecté. Vous trouverez davantage de détails ici: <https://rc4wd.com/go/docs/>

German:

Hiermit erklärt RC4WD, dass der Artikel VV-JD00063 "1/14 8x8 Tonnage Heavy Tow RTR Truck" bei bestimmungsgemäßer Anwendung der Richtlinie 2014/53/EU entspricht. Der vollständige Text der EU-Konformitätserklärung ist unter der folgenden Internetadresse verfügbar: <https://rc4wd.com/go/docs/>

