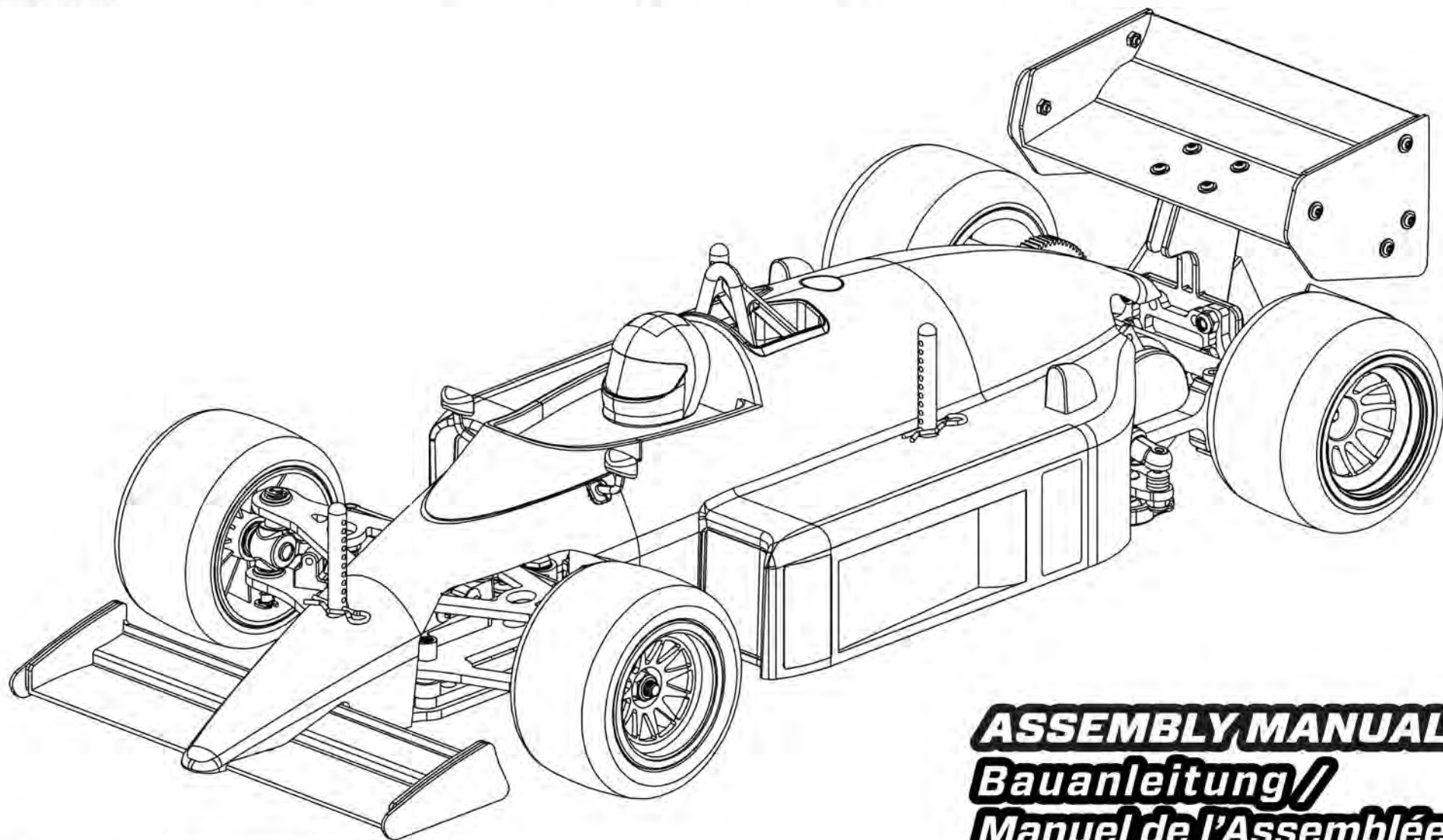




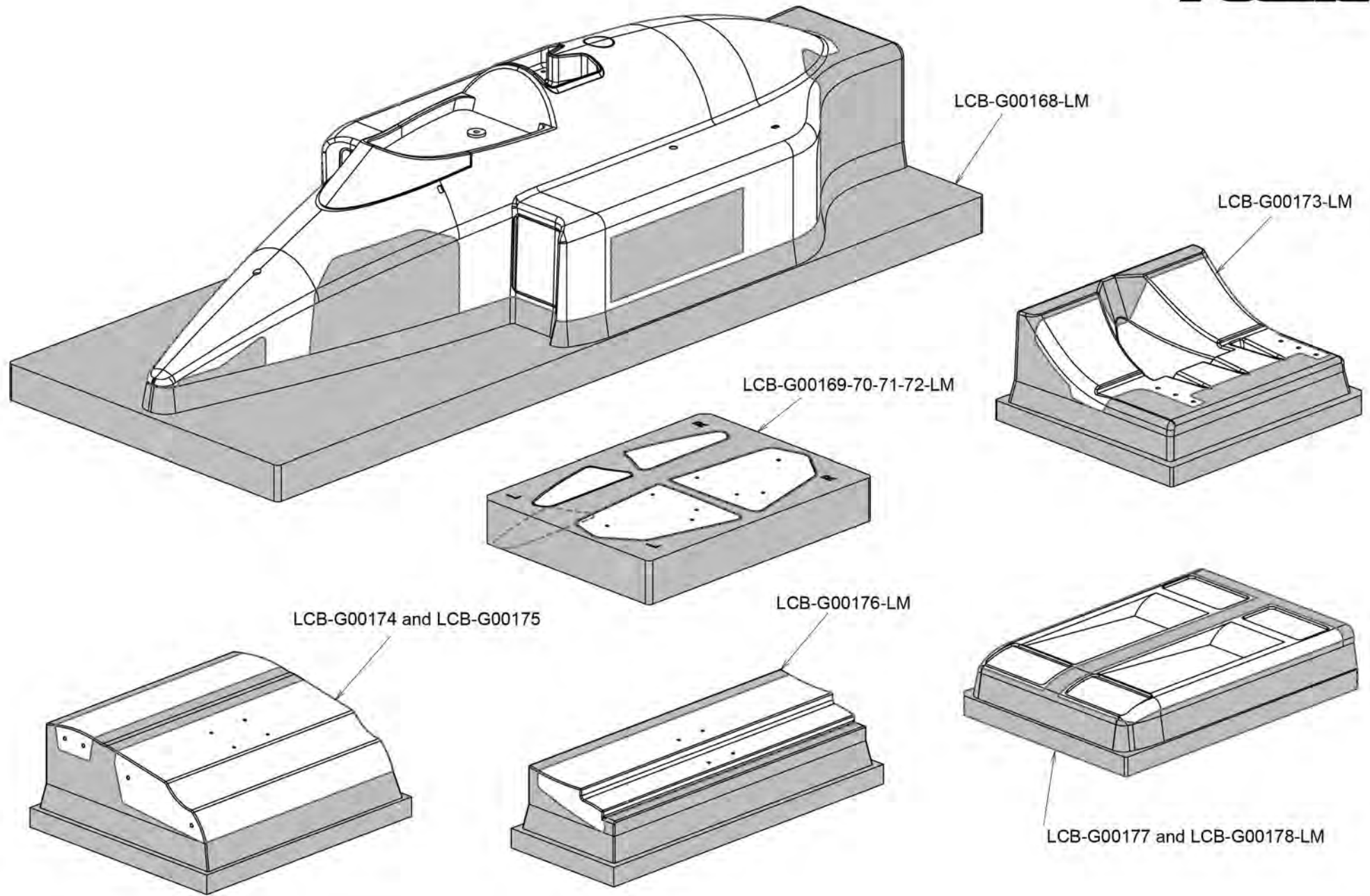
Team Lotus type 98T

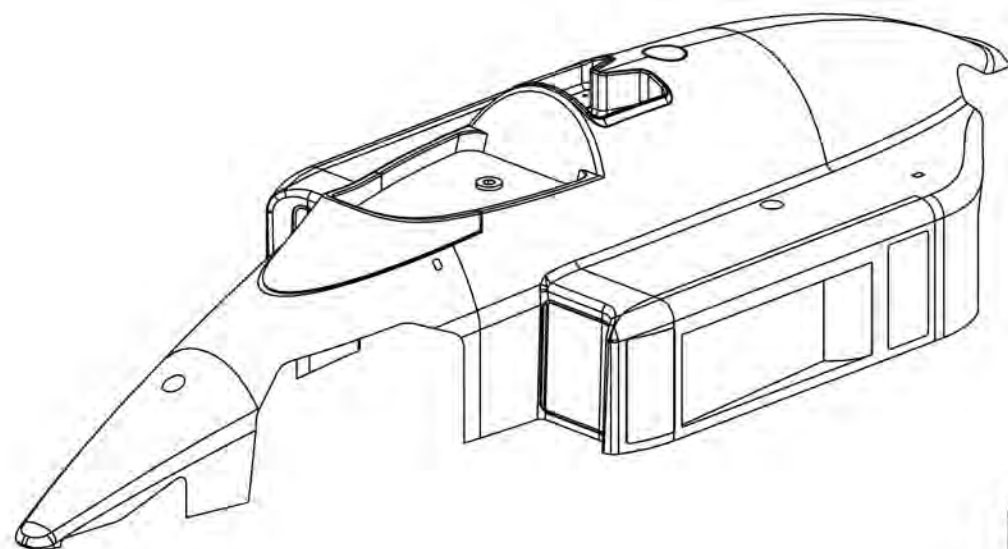


Classic Team Lotus Body Assembly Instructions



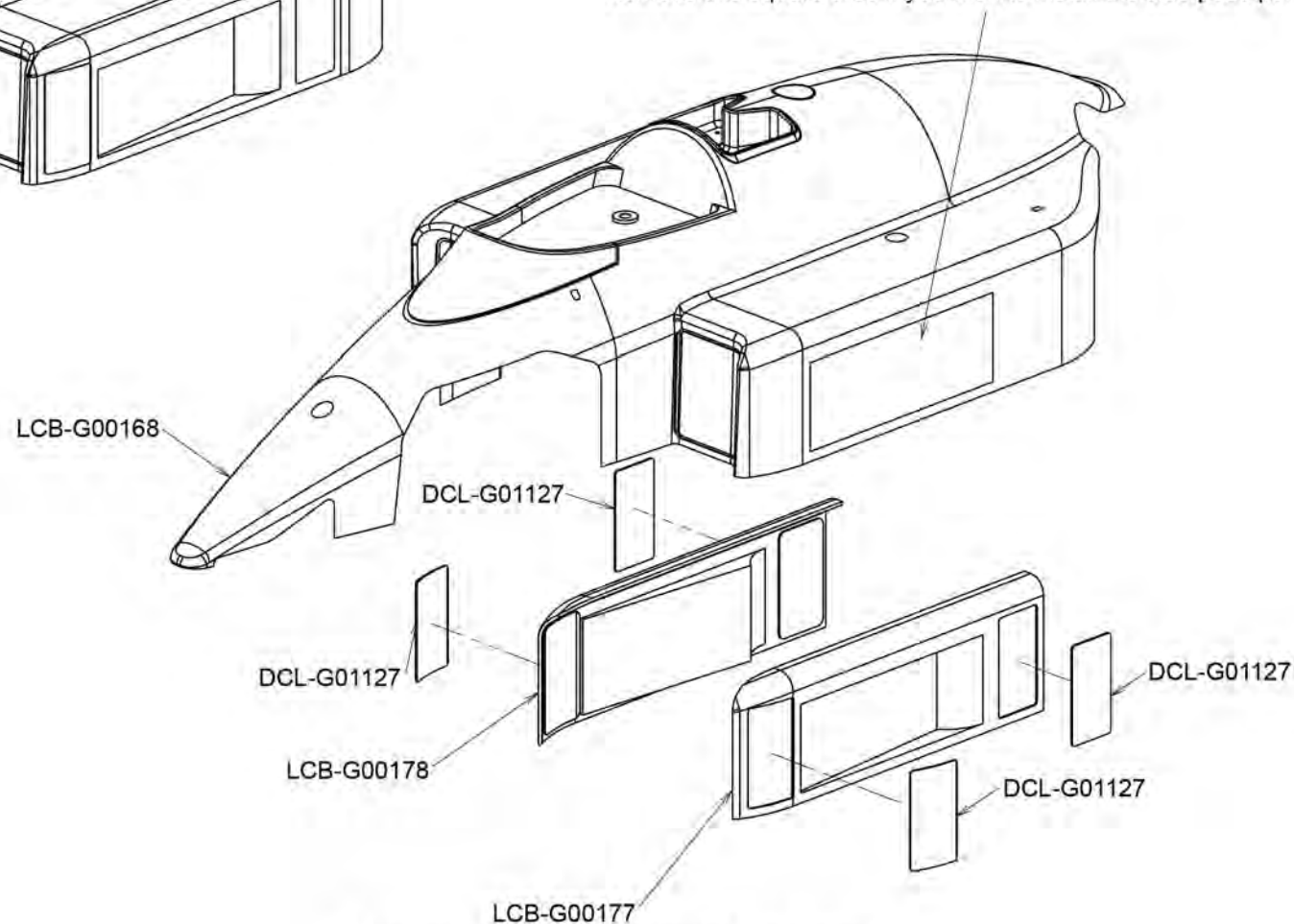
**ASSEMBLY MANUAL /
Bauanleitung /
Manuel de l'Assemblée /
取り扱い説明書 / 説明書**





Paint the Body shell using Black Polycarbonate paint (Paint to the inside)

Remove this square area if you wish to install the side pods panels



Side pods are installed via double sided tapes



BUTTON HEAD SCREW
M3 X8MM
TWSSW00005 x 1pcs

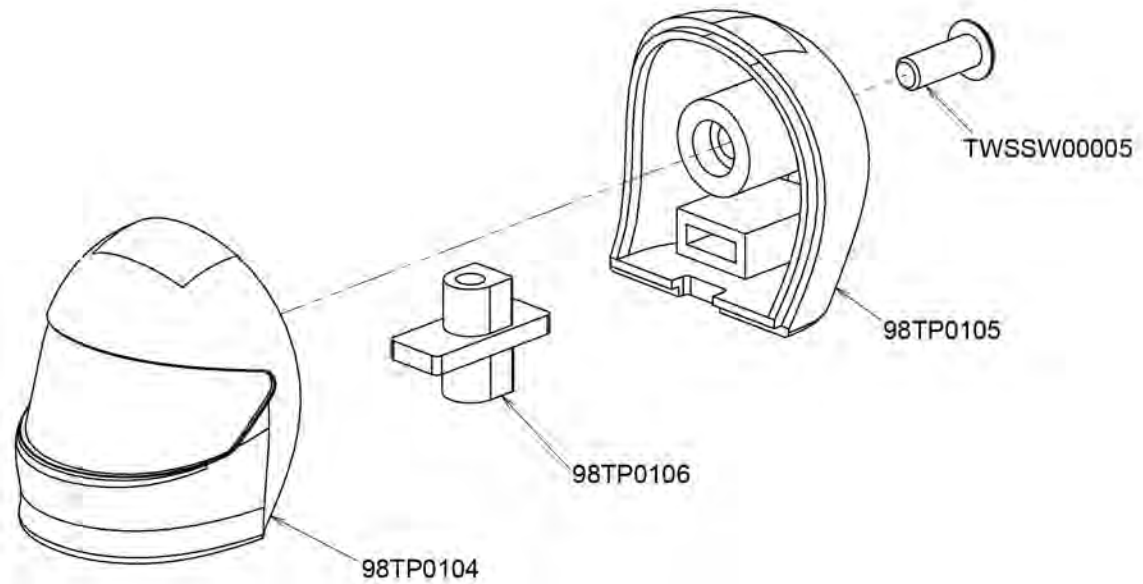
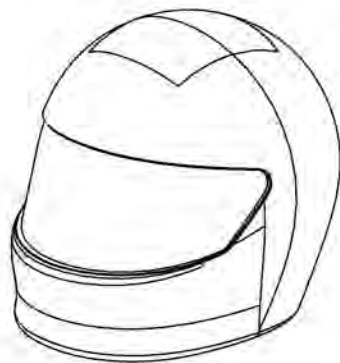
98TP0106 x 1pcs



98TP0104 x 1pcs

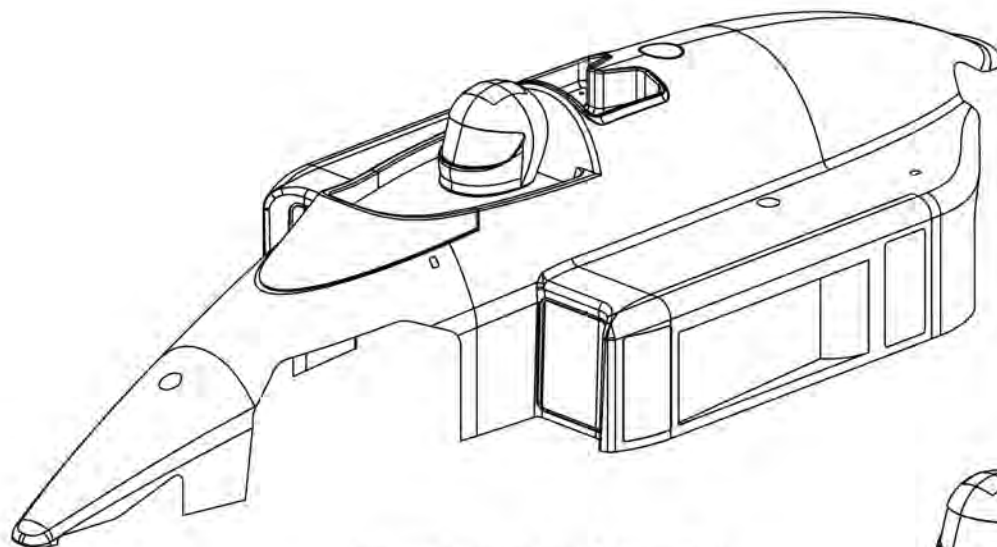


98TP0105 x 1pcs



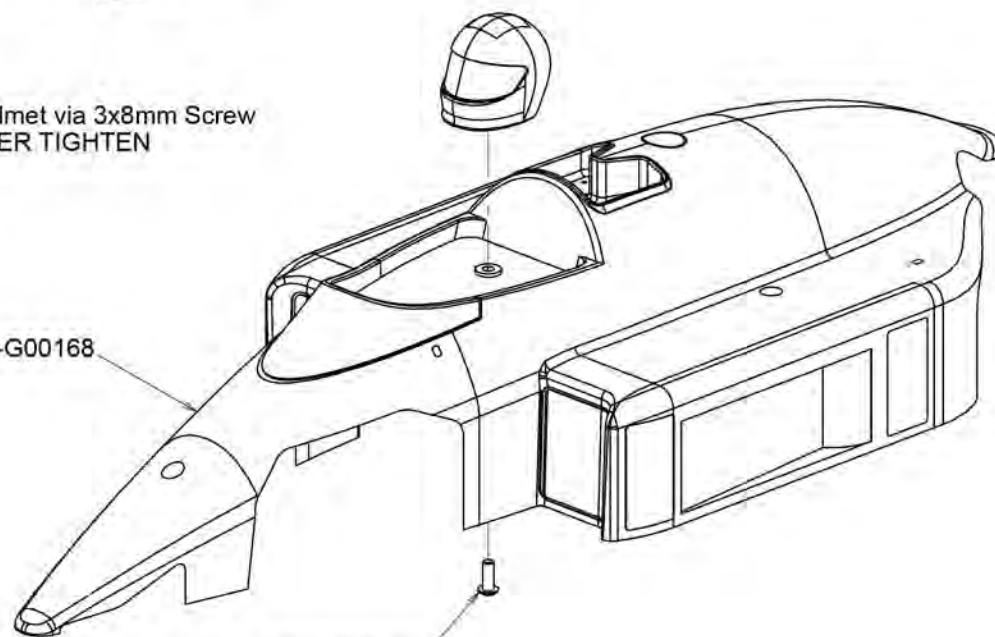


TWSSW00005 x 1pcs



Install the helmet via 3x8mm Screw
DO NOT OVER TIGHTEN

LCB-G00168



TWSSW00005

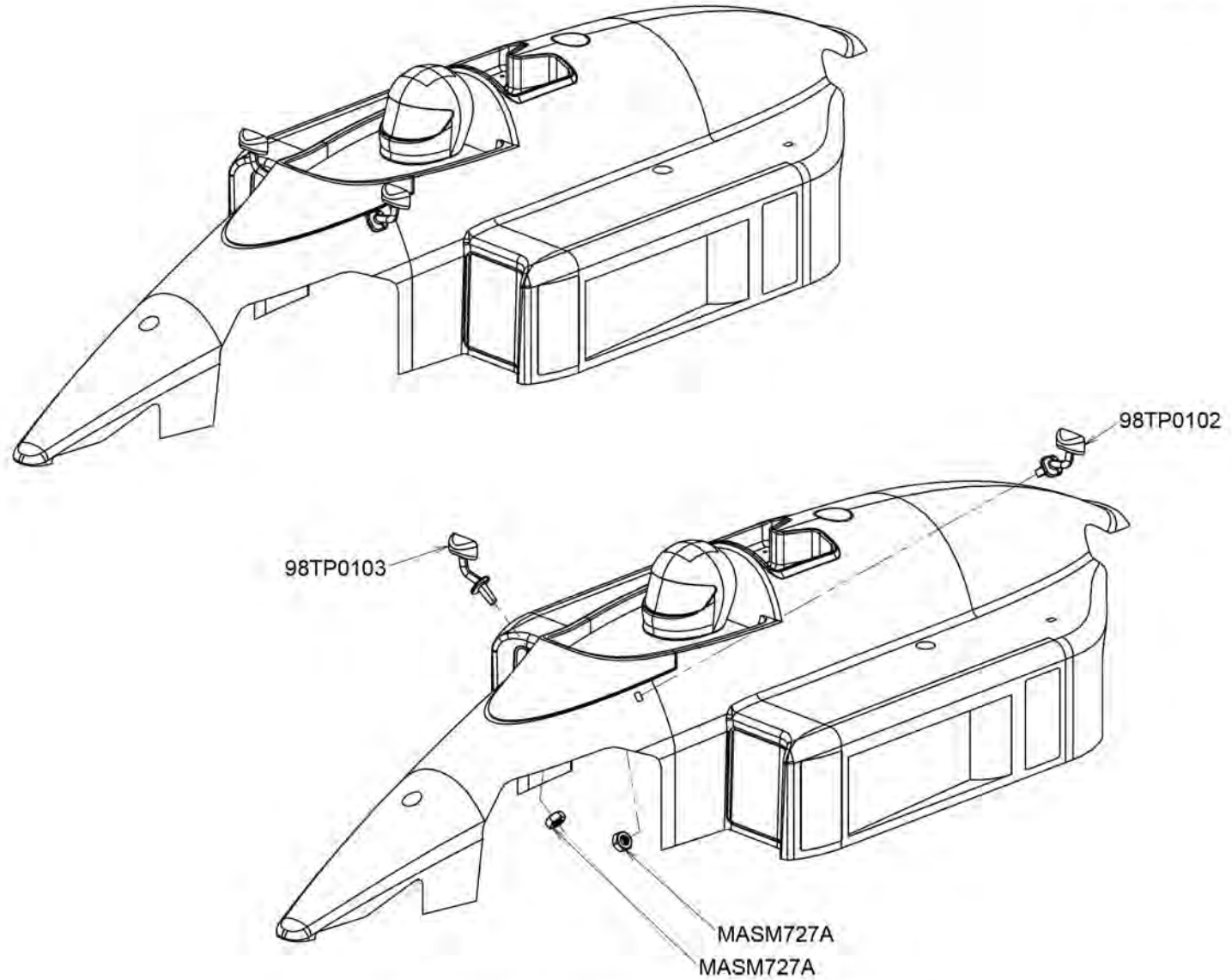
⊙ ⊔
M3 Locknut
MASM727A x 2pcs



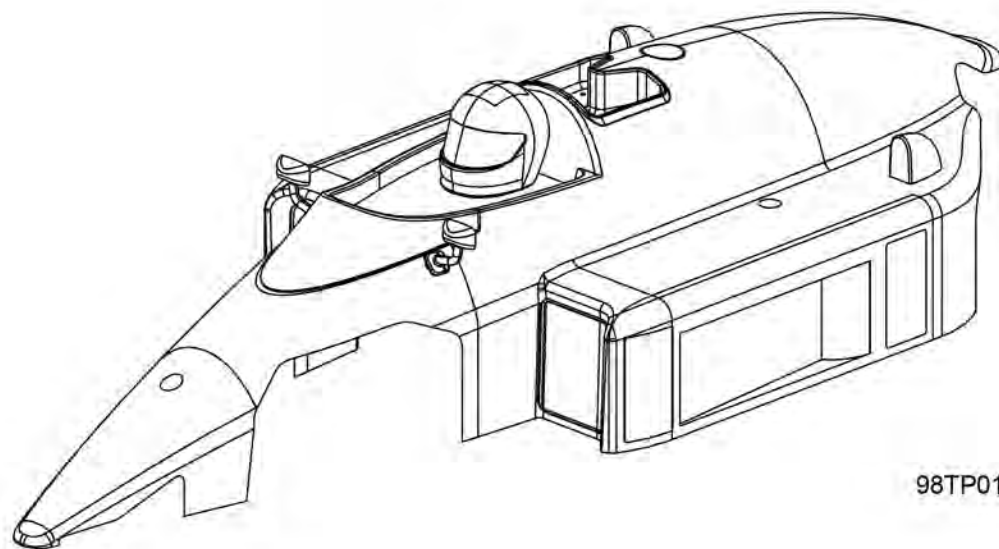
98TP0102 x 1pcs




98TP0103 x 1pcs




Install the side mirrors and secure with the nut (add thread lock)



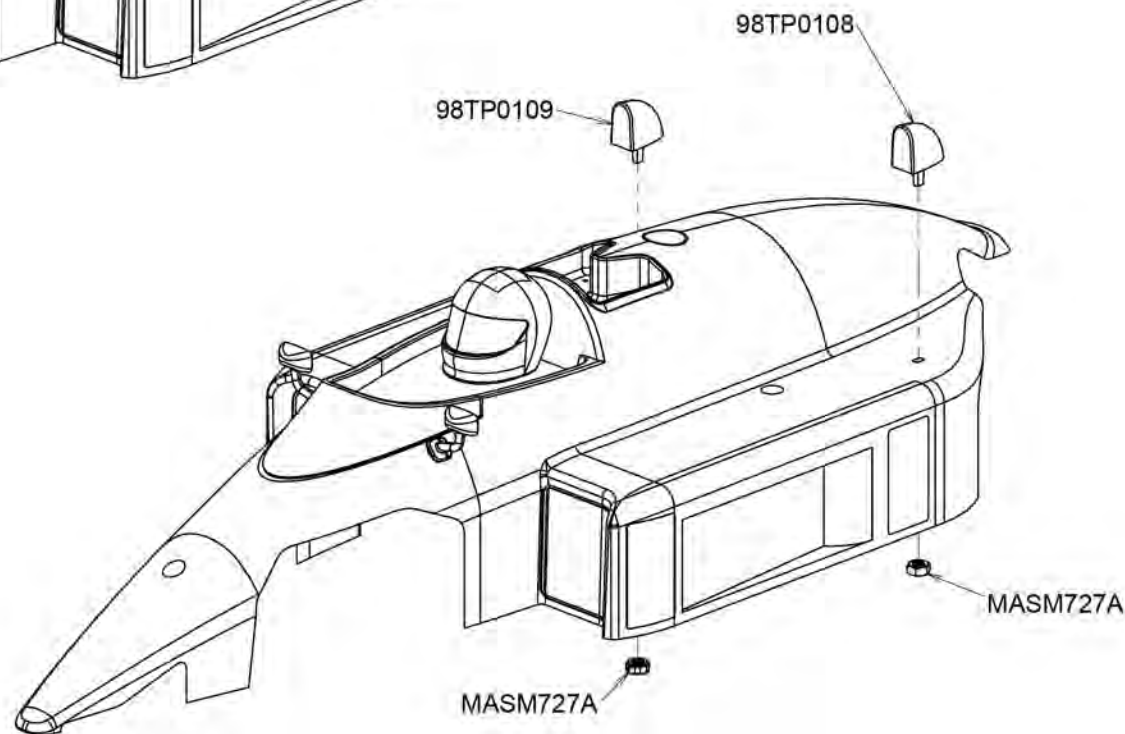
⊙ ⊞
M3 Locknut
MASM727A x 2pcs




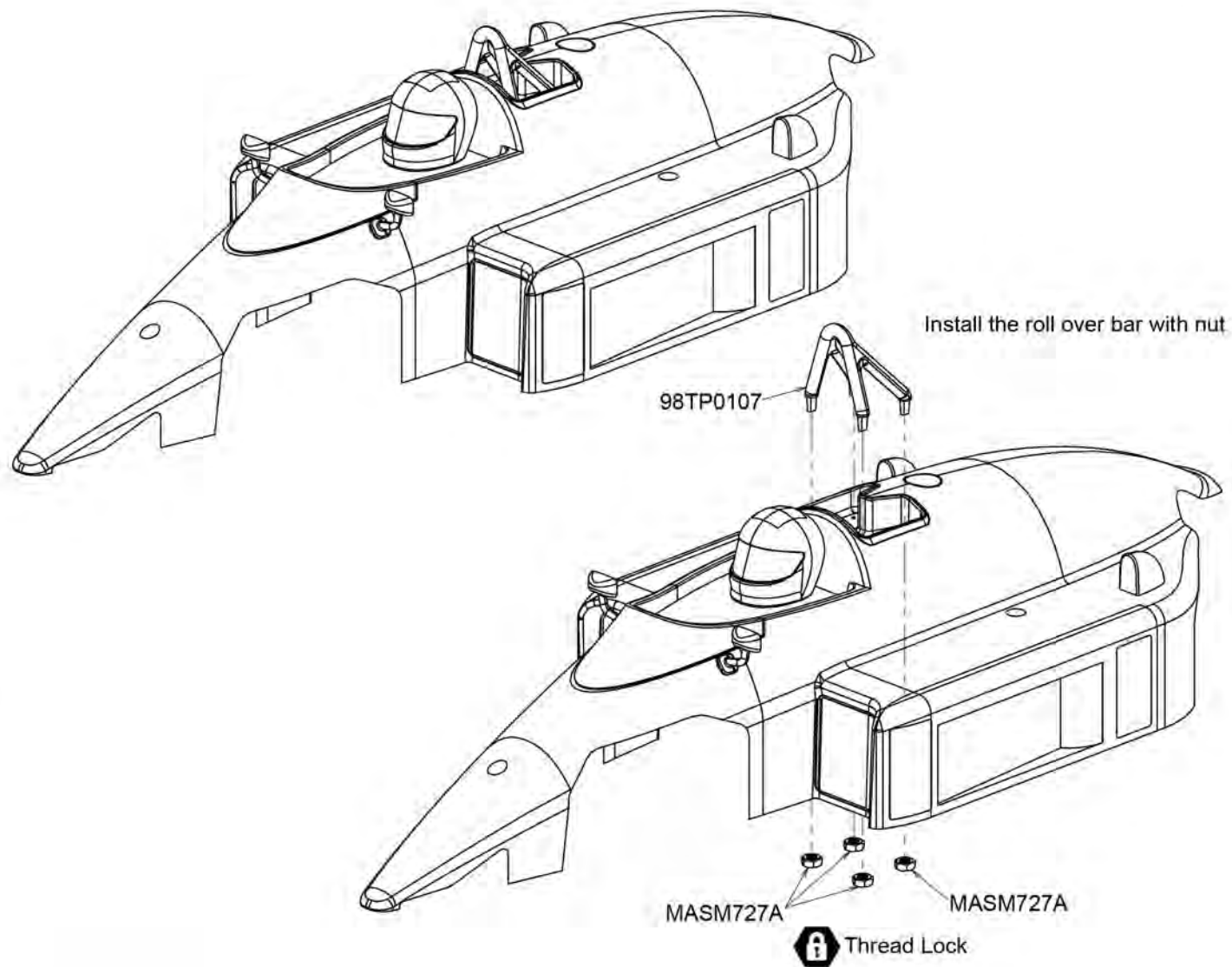
98TP0108 x 1pcs



98TP0109 x 1pcs



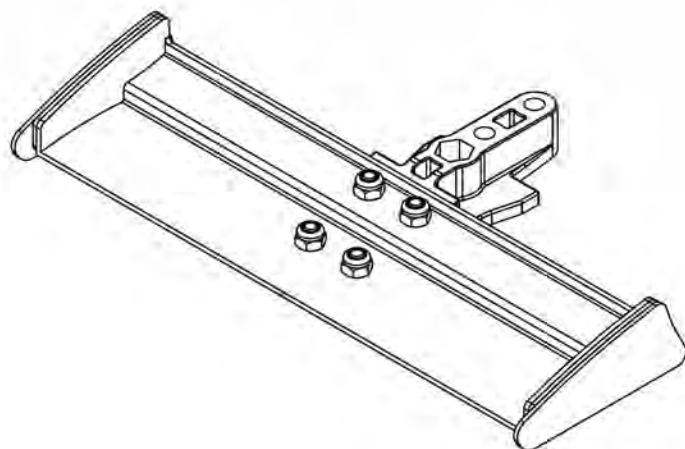
Install the side rear ducts with the supplied nut
add thread lock



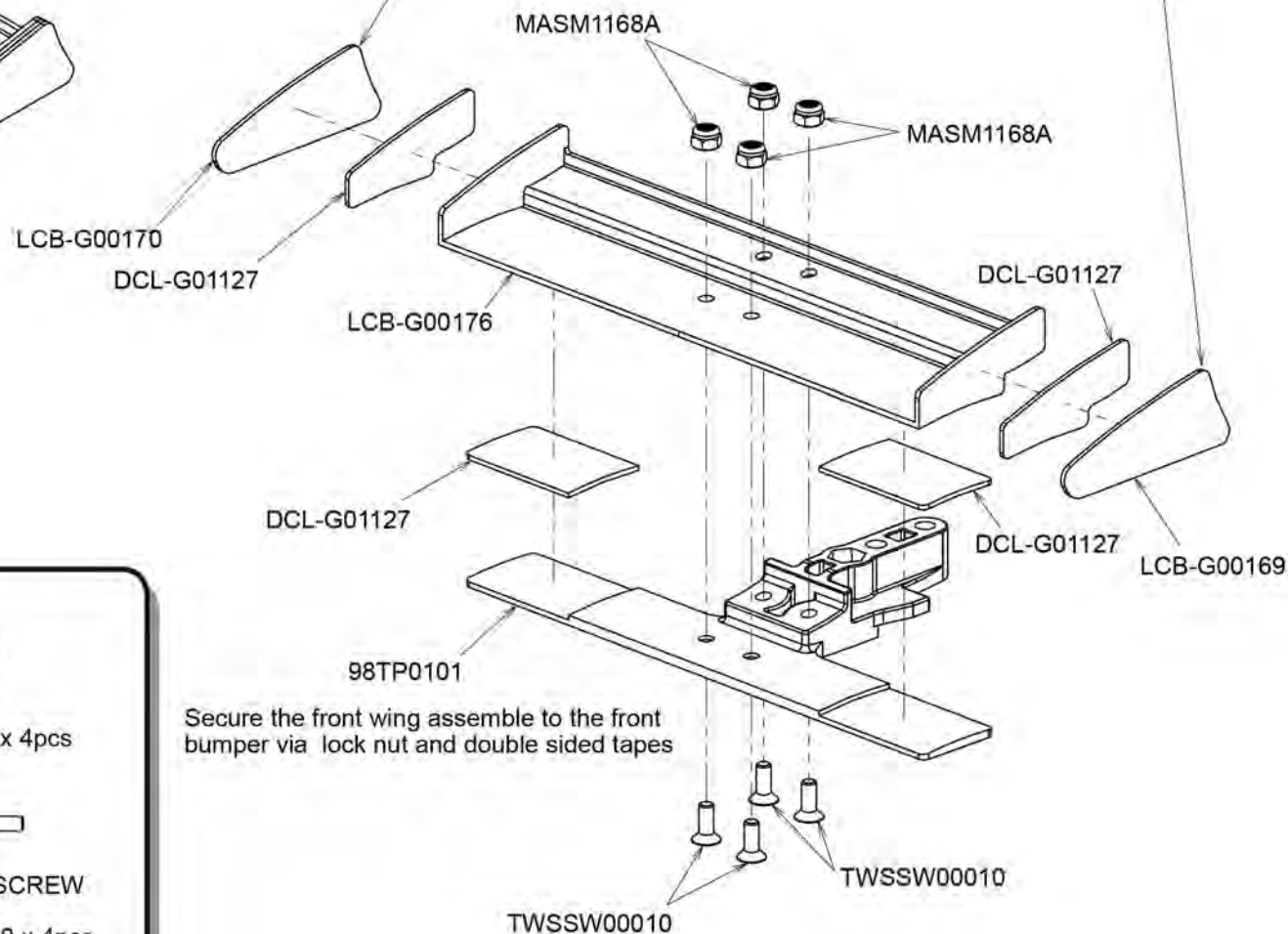
98TP0107 x 1pcs

☉ ☐

M3 Locknut
MASM727A x 4pcs



NOTE THE FRONT SIDE WING PLATES ORIENTATION BEFORE PAINTING

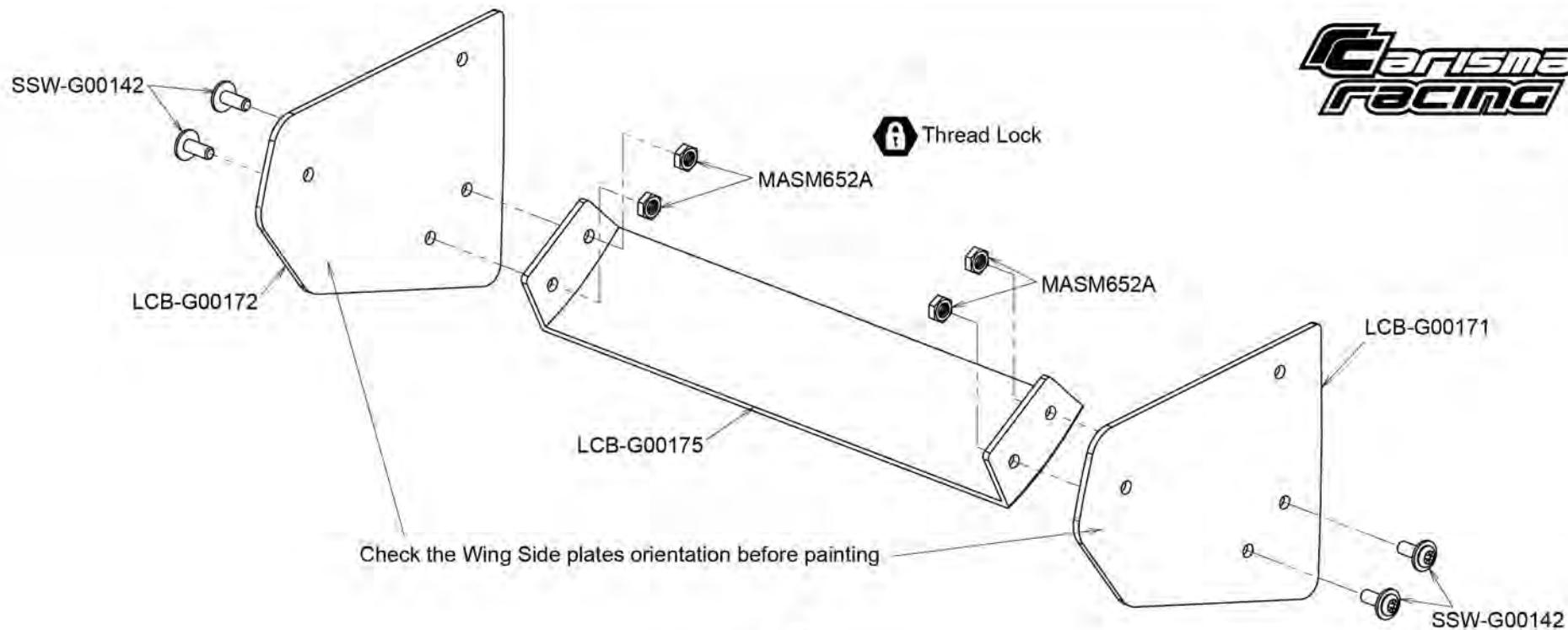


Secure the front wing assemble to the front bumper via lock nut and double sided tapes

Front Wing
98TP0101 x 1pcs

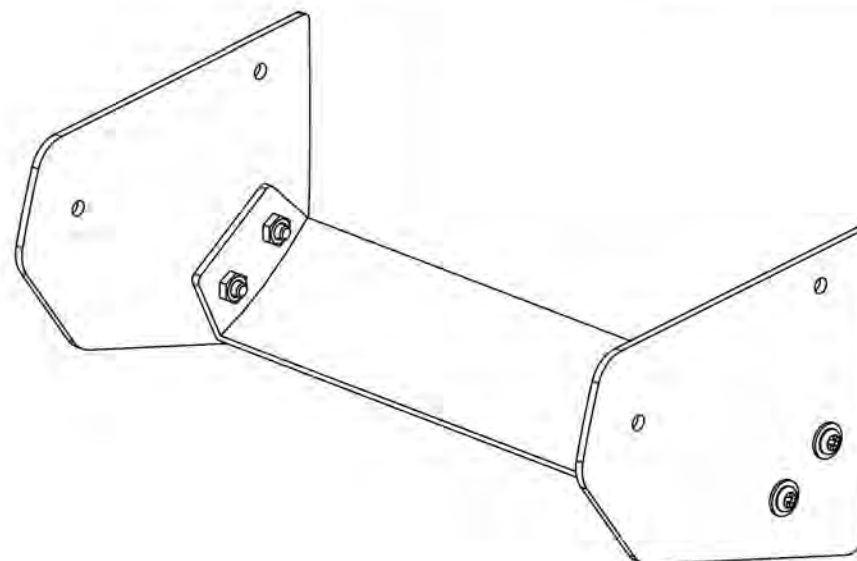
M3 Lock Nut
MASM1168A x 4pcs

FLAT HEAD SCREW
M3X8MM
TWSSW00010 x 4pcs



SCREW 2 x 5 PWM
SSW-G00142 x 4pcs

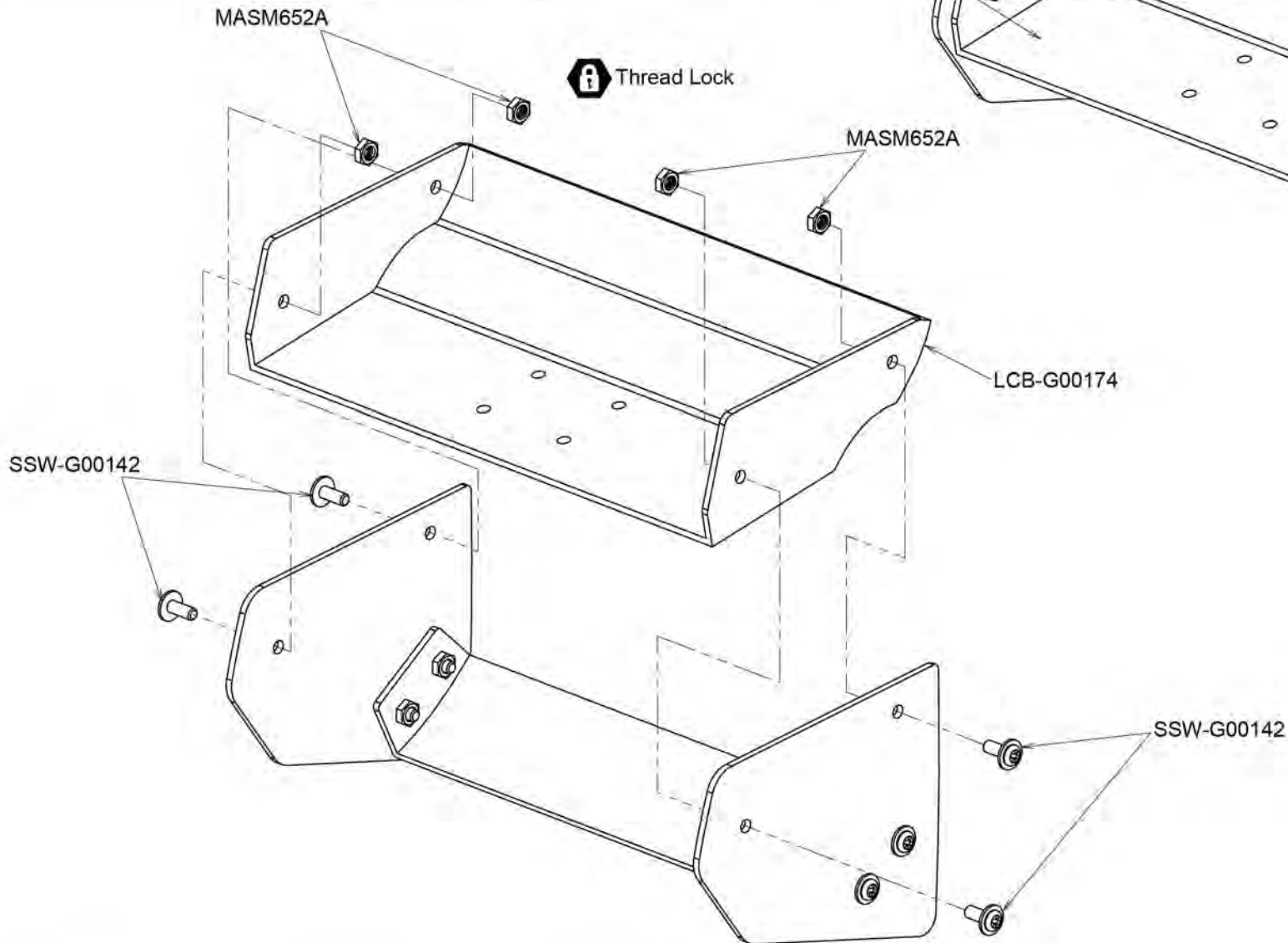
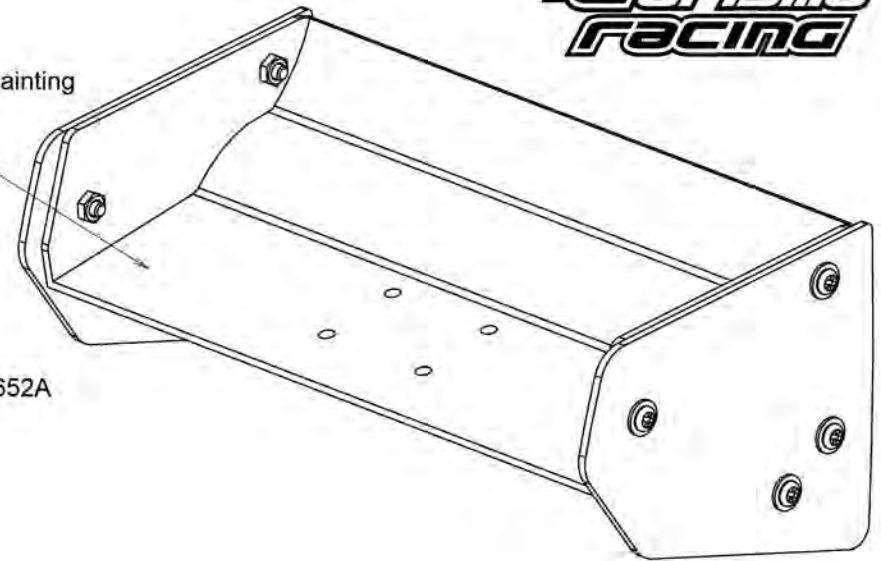
M2 Locknut
MASM652A x 4pcs



M2 Locknut
MASM652A x 4pcs

SCREW 2 x 5 PWM
SSW-G00142 x 4pcs

CHECK the wing orientation before painting





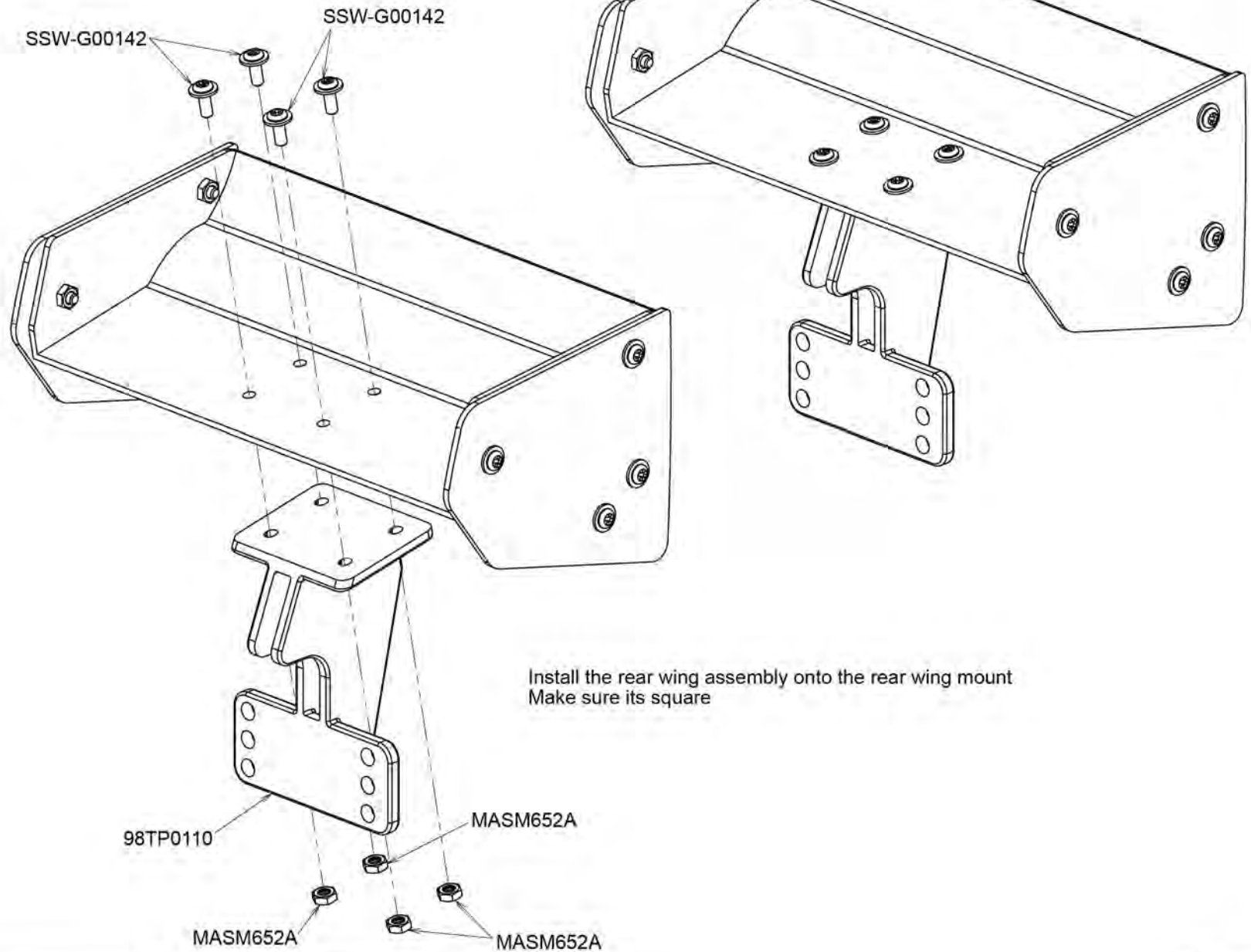
SCREW 2 x 5 PWM
SSW-G00142 x 4pcs

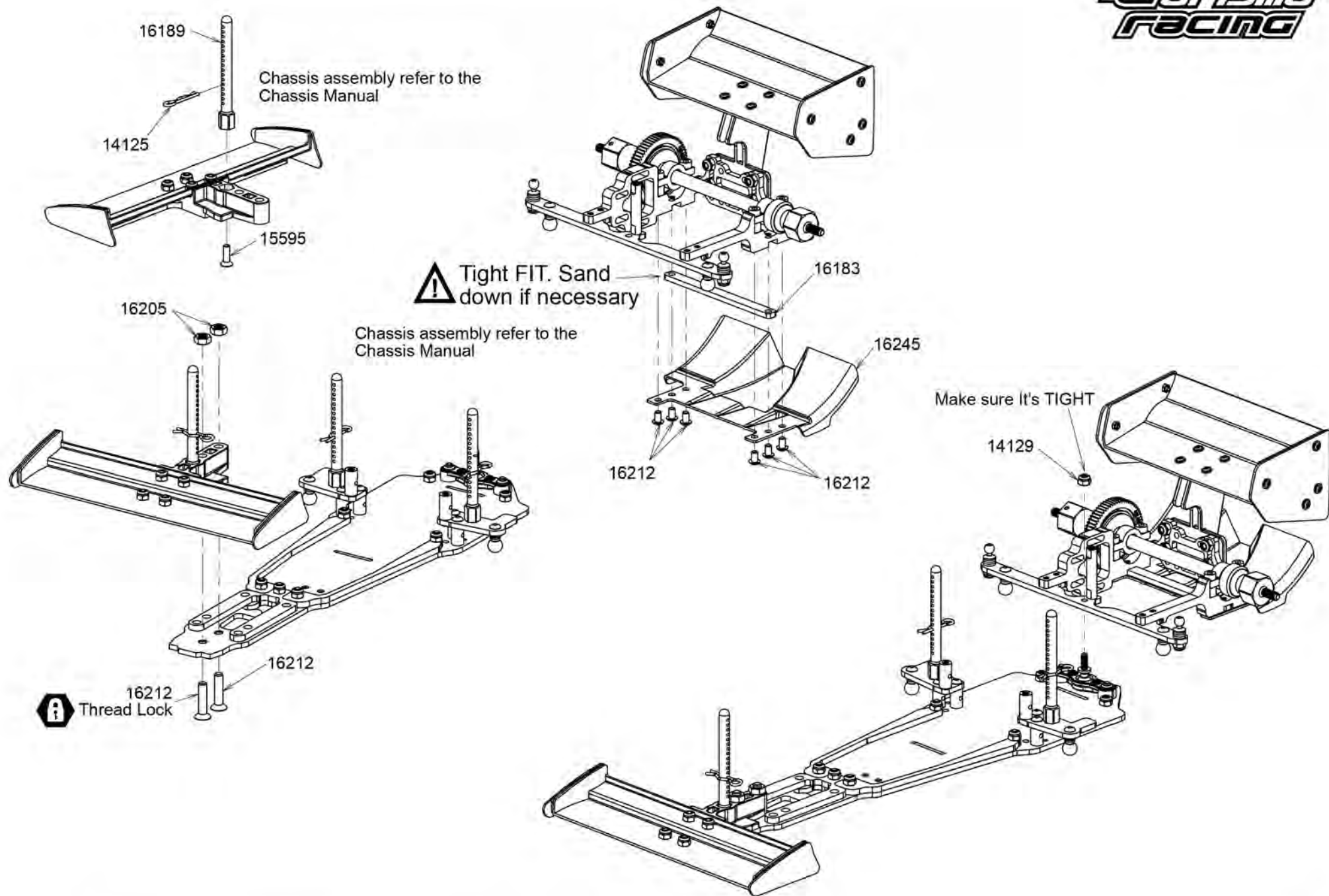


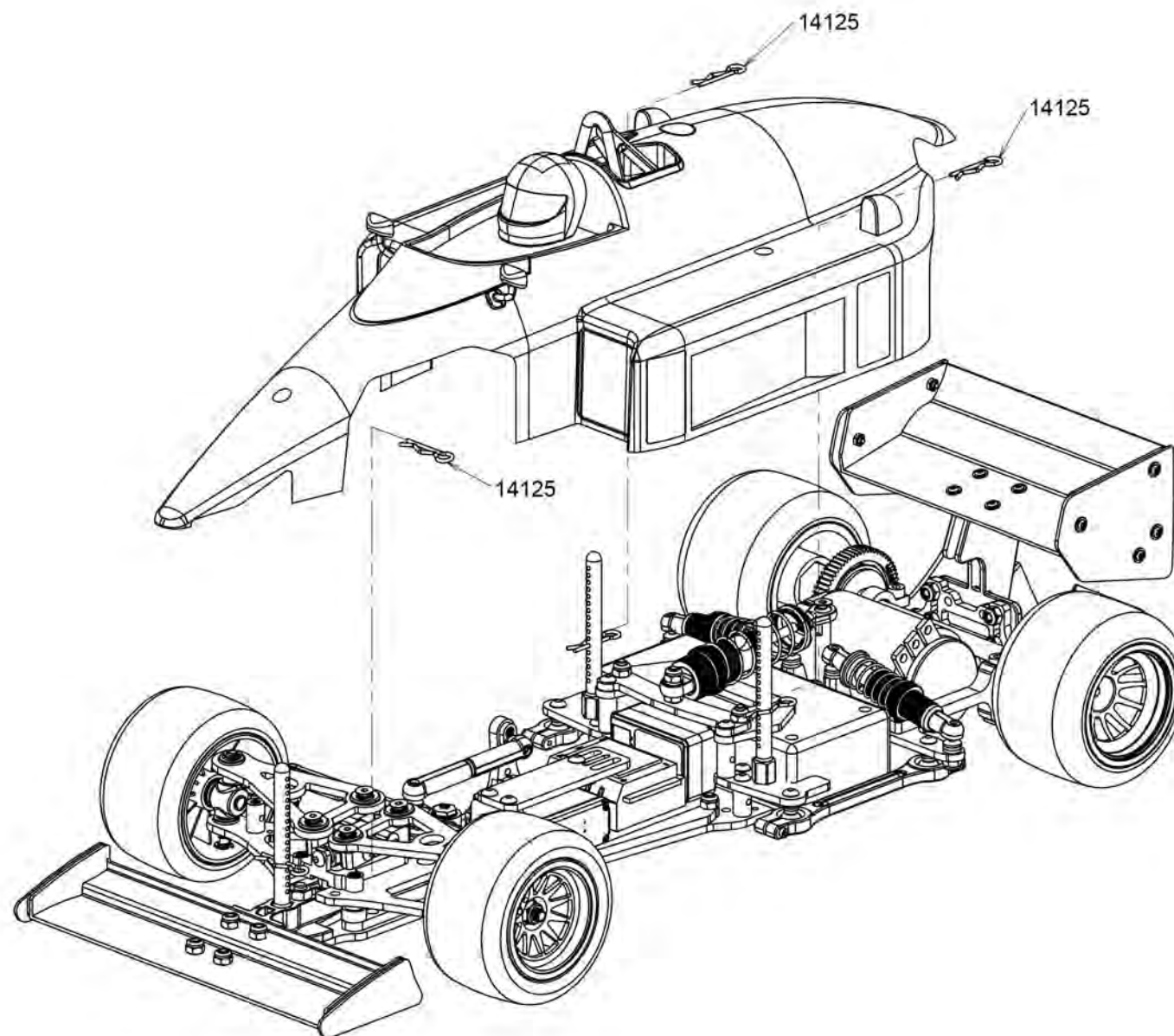
M2 Locknut
MASM652A x 4pcs



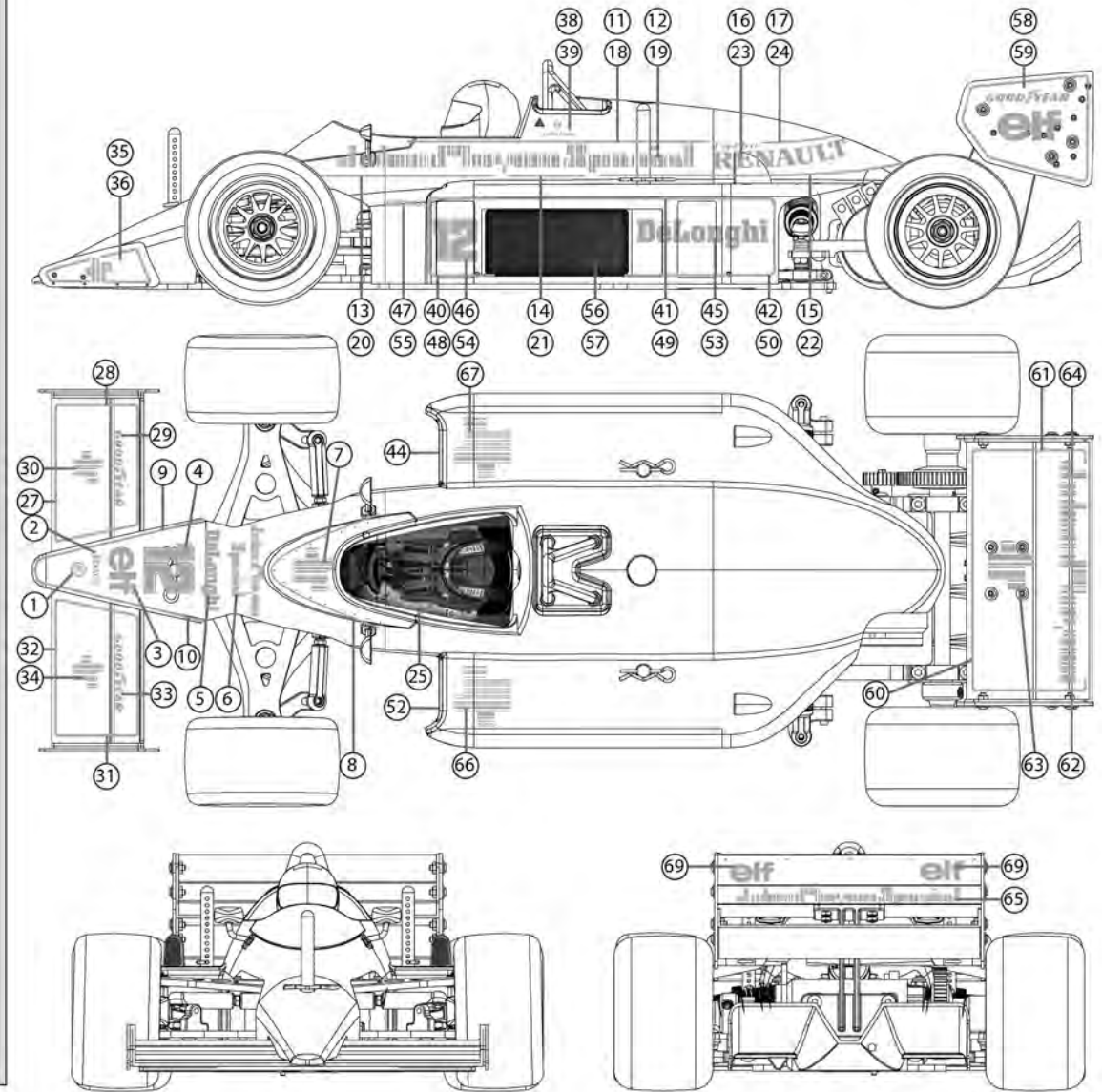
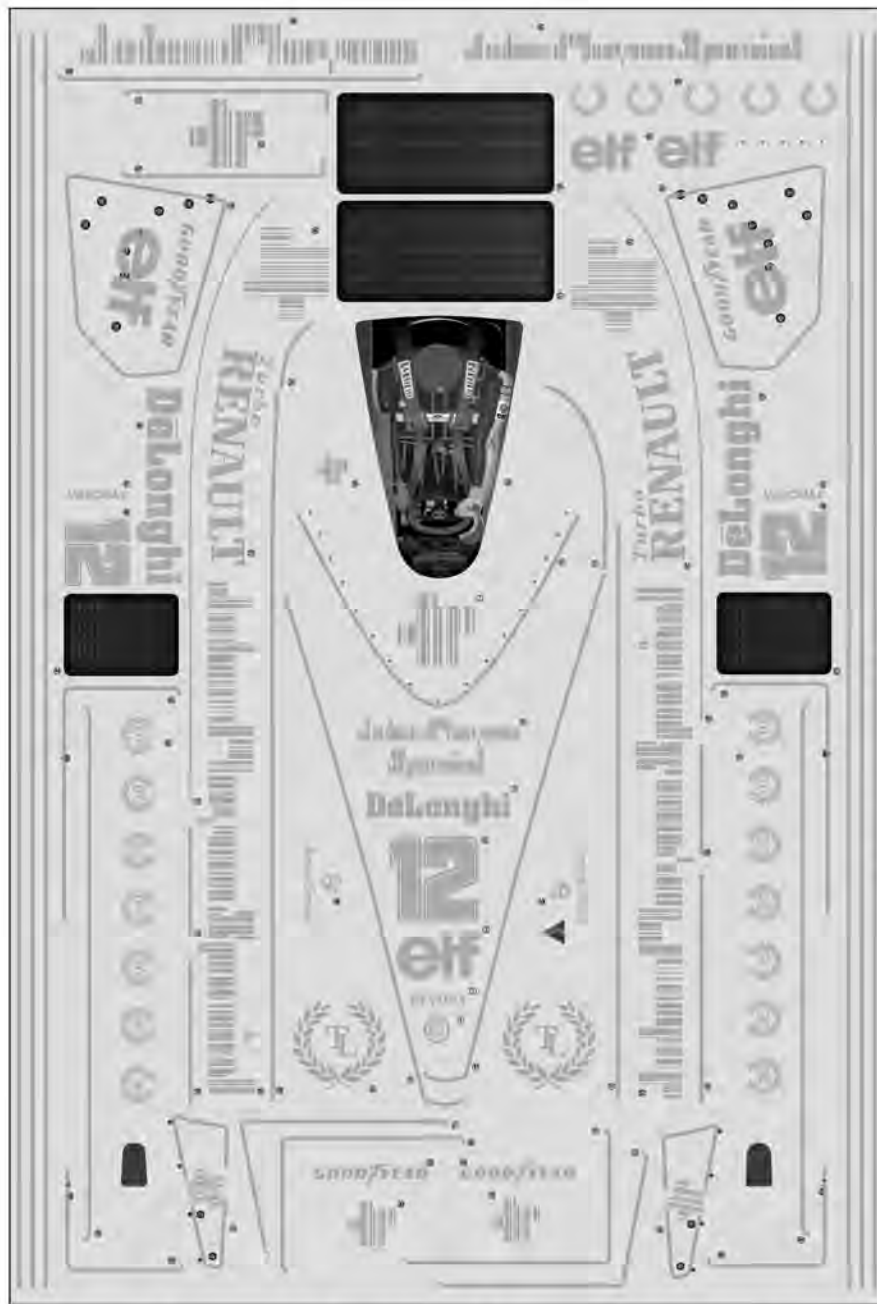
Rear Wing Mount
98TP0110 x 1pcs







Note:



Visit us on www.carisma.com.hk
Also available at www.carisma-shop.com



©2020 Carisma. All Rights Reserved. Product specifications are subject to change. Some models shown are prototypes which may vary slightly from what is inside.