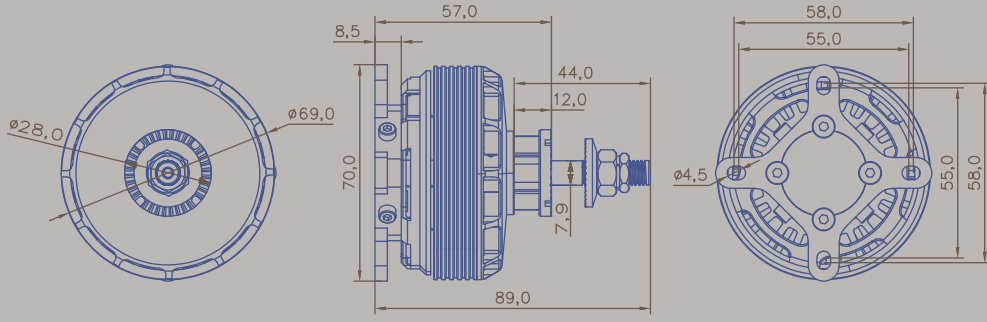


GA1500



Specification

2nd Generation GA Series	GA1500.5
Item NO. (商品编码)	51548
RPM/V (KV值)	500 RPM/V
Weight w/o accessories (不含配件重量)	280g
Outer Diameter (直径)	69mm
Length w/ mounts (长度(带桨座))	57mm
Length(overall)(长度)	89mm
Diameter of Shaft (轴径)	8mm(internal), 8mm(output)
Mounting holes pitch (安装孔距)	55mm to 58mm
Slots,Poles (槽数, 极数)	24, 28
Idle Current(Io) @10V (空载电流)	2A
Resistance(Ri) (电阻)	16.2mOhm
Nominal Voltage(V) (额定电压)	18.5V-22.2V, 5S-6S Lipo
Peak power[15s] (峰值功率)	1500W
Bursts current[15s] (最大电流)	70A
Cruising power[8 mins] (巡航功率)	800W
Recommended ESC (调速器)	XC8018BA V2
Propeller (螺旋桨配置)	15x8 for best efficiency 16x8 for pilots performance 17x8 for extreme thrust
Weight of sports airplane (运动飞机的重量)	Up to 4.5 kg
Weight of 3D airplane (3D飞机的重量)	Up to 3.0 kg
Applications (应用)	Designed for 70E class 3D airplane(60-63" wingspan)

GA1500.5 (500KV)

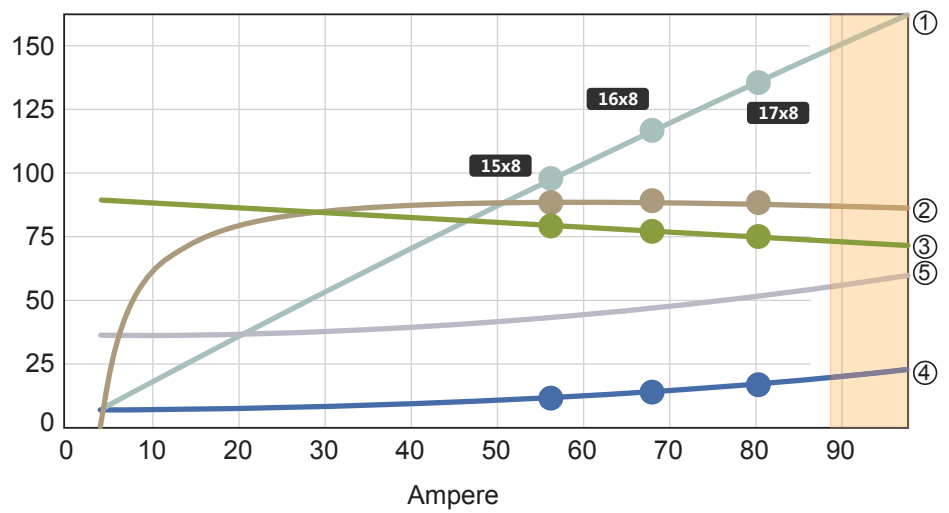
Motor @ Optimum Efficiency

最佳效率

Current(电流):	57.09A
Voltage(电压):	17.38V
Revolutions(转速):	7914rpm
Electric Power(输入功率):	992.2W
Mech. Power(输出功率):	877.4W
Efficiency(效率):	88.4%

- ① el. Power [in 10W]
- ② Efficiency [%]
- ③ max. Revolutions [in 100rpm]
- ④ waste Power [W]
- ⑤ Motor Case Temp. [°C]

Motor Characteristic at Full Throttle



Voltage (V)	Propeller	Propeller (RPM)	Throttle (%)	Current (DC) (A)	Volage (DC) (V)	el. Power (W)	Efficiency (%)	Thrust (g)	Spec. Thrust (g/W)
22.2V (5S LIPO)	15x8	1800	21	0.9	18.5	15.8	64.9	235	14.9
		2400	27	1.7	18.5	32.2	75.2	418	13
		3000	35	3.2	18.4	58.5	80.9	654	11.2
		3600	42	5.3	18.4	97.1	84.3	942	9.7
		4200	49	8.2	18.4	150.6	86.3	1282	8.5
		4800	57	12.2	18.3	221.7	87.5	1674	7.5
		5400	64	17.3	18.2	313.1	88.2	2118	6.8
		6000	72	23.7	18.1	427.4	88.6	2615	6.1
		6600	80	31.8	17.9	567.5	88.8	3165	5.6
		7200	89	41.7	17.7	736.2	88.9	3766	5.1
		7800	98	53.7	17.5	936.3	88.9	4420	4.7
	7921	100	56.7	17.5	985.5	88.4	4559	4.6	
	16x8	2000	23	1.3	18.5	24.7	73.7	353	14.3
		2500	29	2.4	18.5	44.4	79.9	551	12.4
		3000	35	4	18.4	73.3	83.6	794	10.8
		3500	41	6.2	18.4	113.3	85.9	1080	9.5
		4000	47	9.1	18.3	166.5	87.2	1411	8.5
		4500	53	12.9	18.3	234.8	88.1	1785	7.6
		5000	60	17.7	18.2	320.3	88.6	2204	6.9
		5500	67	23.6	18.1	425	88.8	2667	6.3
		6000	74	30.9	17.9	551.1	89	3174	5.8
		6500	81	39.6	17.8	700.7	88.9	3725	5.3
		7000	89	50.1	17.6	876.1	88.9	4320	4.9
	7500	97	62.5	17.4	1079.3	88.7	4960	4.6	
	7700	100	68.6	17.3	1176.7	88.2	5228	4.4	
	17x8	2000	23	1.6	18.5	29.9	77.3	423	14.1
		2500	29	3	18.4	54.7	82.6	661	12.1
		3000	35	5	18.4	91.4	85.5	952	10.4
		3500	41	7.8	18.4	142.3	87.1	1296	9.1
		4000	48	11.5	18.3	210.2	88.1	1692	8.1
		4500	54	16.4	18.2	297.6	88.6	2142	7.2
		5000	61	22.6	18.1	407.3	88.8	2644	6.5
		5500	68	30.4	18	541.9	88.8	3199	5.9
6000		76	39.9	17.8	704.3	88.7	3807	5.4	
6500		83	51.4	17.6	897.4	88.5	4468	5	
7000		92	65.4	17.3	1124	88.3	5182	4.6	
7462	100	81.4	17	1376.6	87.6	5889	4.3		