

Item No.:FJ1201

**A-10**

**THUNDERBOLT III**

**DUAL 64MM EDF JET**

**USER MANUAL**



**WINGSPAN : 1130mm (44.49 in.)**

Version No.:FJ1201-V01

CE    
MADE IN CHINA

Thanks for your purchasing our Freewing A-10 model plane. Now A-10 is the main ground attack aircraft in the United States Air Force, nicknamed the "Warthog". Our A-10A use dual 64mm EDF. We refer to lots of data, try the best to restore the details of true aircraft. We use lots of plastic parts and carbon tube, it let the disassembly work easier. In addition, we also installed the electric retracts and flaps in this jet which its wingspan is only 1100mm, players will enjoy more flight fun.

This is a very beautiful scale model, it has excellent flight performance and graceful flight attitude, A-10A is the most attractable plane when you fly.

**⚠ NOTE:** This is not a toy. Not for children under 14 years. Young people under the age of 14 should only be permitted to operate this model under the instruction and supervision of an adult. Please keep these instructions for further reference after completing model assembly.

## Note:

1. This is not a toy! Operator should have a certain experience, beginners should operate under the guidance of professional players.
2. Before install, please read through the instructions carefully and operate strictly under instructions.
3. Cause of wrong operation, Freewing and its vendors will not be held responsible for any losses.
4. Model planes' players must be on the age of 14 years old.
5. This plane used the EPO material with surface spray paint, don't use chemical to clean, otherwise it will damage.
6. You should be careful to avoid flying in areas such as public places, high-voltage-intensive areas, near the highway, near the airport or any other place where laws and regulation clearly prohibit.
7. You cannot fly in bad weather conditions such as thunderstorms, snows....
8. Model plane's battery, don't allowed to put in everywhere. Storage must ensure that there is no inflammable and explosive materials in the round of 2M range.
9. Damaged or scrap battery should be properly recycled, it can't discard to avoid spontaneous combustion and fire.
10. In flying field, the waste after flying should be properly handled, it can't be abandoned or burned.
11. In any case, you must ensure that the throttle is in the low position and transmitter switch on, then it can connect the lipo-battery in aircraft.
12. Do not try to take planes by hand when flying or slow landing process. You must wait for landing stop, then carry it.

## Assembling Data Index

Assembling Data Index .....	2
Product Basic Information .....	2
Installing the tail wing .....	3
Installing the Elevator .....	4
Installing flaps .....	5
Installing the main wing .....	7
Installing the engine compartment .....	8
Battery position and use specification .....	9
Installing landing gear .....	10
Installing servo .....	13
Assemble EDF and Motor parameters .....	14
Center of Gravity .....	15
Radio control Direction .....	16
Control surface rate .....	17
Control surface rate direction and set up .....	18
Troubleshooting Guide .....	19
Accessories list support .....	20

**1100 mm**  
(43.3 in)

- **Motor**  
2627-4300KV (Use for 11.1V 3S battery)  
2836-3500KV (Use for 14.8V 4S battery)
- **ESC**  
30A Brushless ESC (Use for 2627-4300KV Brushless motor)  
40A Brushless ESC (Use for 2836-3500KV Brushless motor)
- **Servo**  
9g Servos (6pcs) or (8pcs with Flap)
- **Battery**  
3S 11.1V 3300mAh 25C  
4S 14.8V 3300mAh 25C
- **Ducted fans**  
64mm EDF
- **Take-off weight**  
1450g~1680g  
(51.14~59.25 oz.)
- **Thrust**  
1250g (42.6 oz.) (For 3S Battery)  
1700g (60.0 oz.) (For 4S Battery)

**Note:** The parameters in here are derived from test result using our accessories. If use other accessories, the test result will be different. Any problem since of using other accessories, we are not able to provide technical support.

Landing Gear	Aileron	Flaps	Elevator	Rudder	Throttle
Yes	Yes	Yes	Yes	Yes	Yes

## Package list

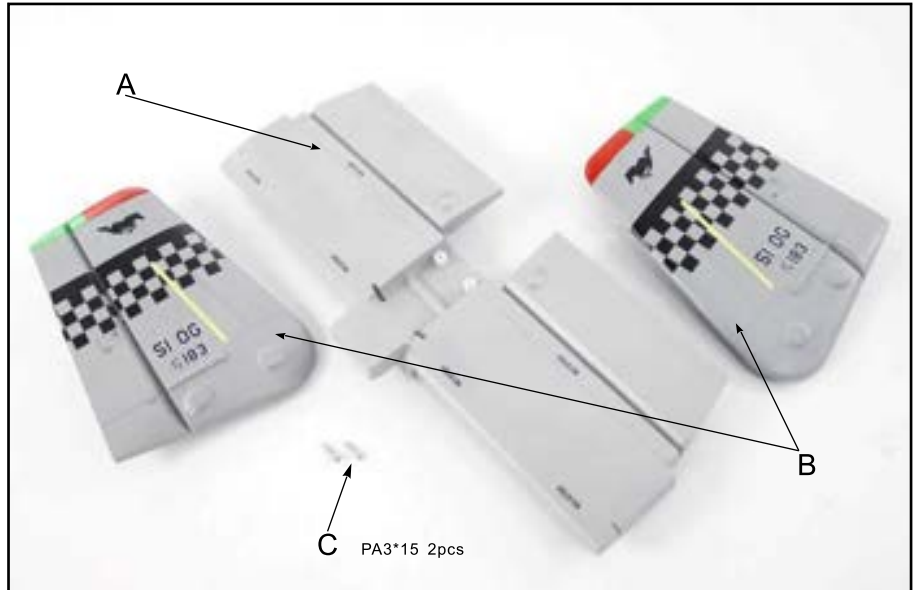


Open package and check the package list. (Different version include different contents)

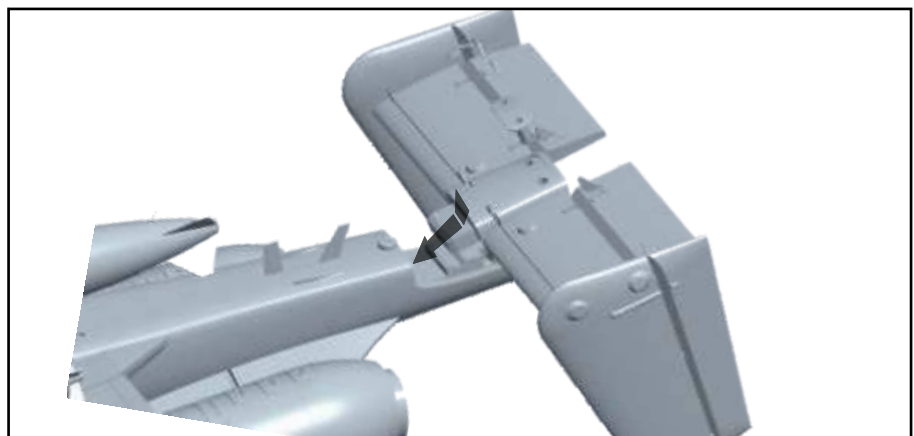
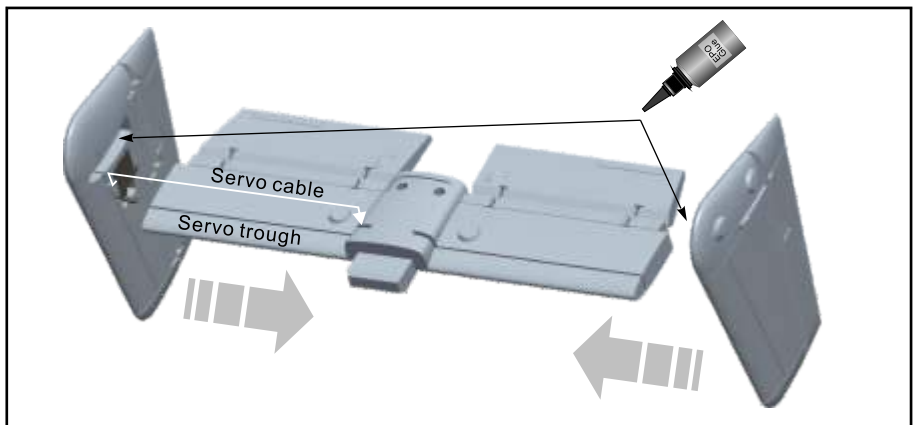
No.	Accessories Name	ARF	PNP	KIT	No.	Accessories Name	ARF	PNP	KIT
1	Fuselage set	Yes	Yes	Yes	7	EDF	Yes	Yes	Yes
2	Main wing set	Yes	Yes	Yes	8	Battery	Yes	No	No
3	Tail wing set	Yes	Yes	Yes	9	Y-wire	Yes	Yes	Yes
4	Engine compartment	Yes	Yes	Yes	10	Landing gear set	Yes	Yes	Yes
5	Guided missiles & connecting part	Yes	Yes	Yes	11	Plastic accessories	Yes	Yes	Yes
6	ESC/motor/servo	Yes	Yes	No	12	Screwdriver & screw accessories	Yes	Yes	Yes

Firstly, we remove fuselage, tail wing, glue and screws from package, and prepare to install.

- A-Elevator
- B-Left / right rudder
- C-Screws (PA3\*15 2pcs)



- 1.If installed the rudder' servo, we should loosen the rudder's servo wire.
- 2.Glue on the indicated position and adhesive the rudder on the elevator.
- 3.Press the rudder servo cable in the trough.
- 4.Connect the rudder servo cabin and Y-wire in fuselage.
- 5.Fix the installed tail wing with two screws(C).

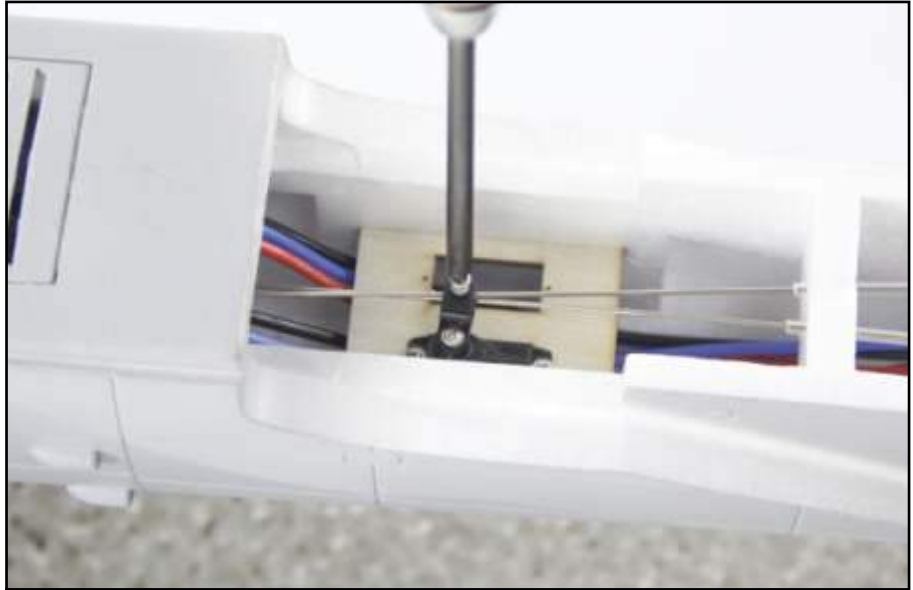


Connect the rudder servo cabin and Y-wire in fuselage.



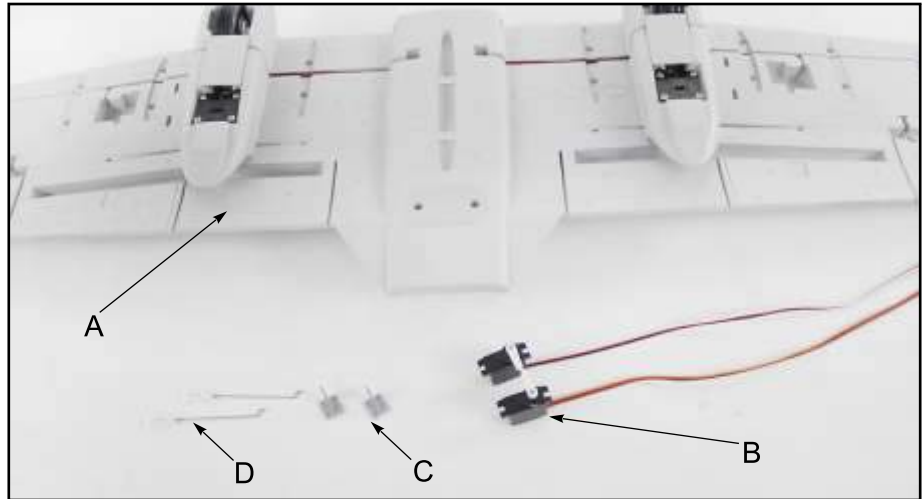
After installed the tail wing set, we need to adjust the elevator, then continue to arrange the following work. Since after installed the main wing set, we need to adjust the elevator servo and pushrod, it can't operate.

1. Use servo tester or other machine to center the elevator servo.
2. Loosen the metal wire of "U" shape servo arm, fixed the screw.
3. Pull the elevator pushrod out a proper distance.
4. Adjust the pushrod or clevis, when the elevator is centered, buckle the plastic clevis into the servo arm.
5. Use the same way to center another side of elevator.
6. At last, fixed the fixing screw of "U" shape servo arm.



Before install main wing, if you need to install the flaps, please refer to the following steps:

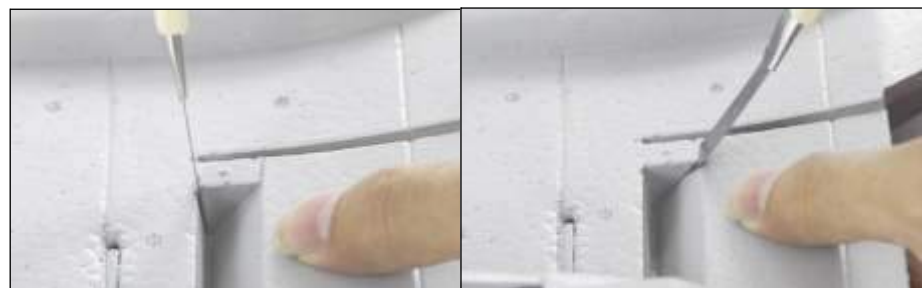
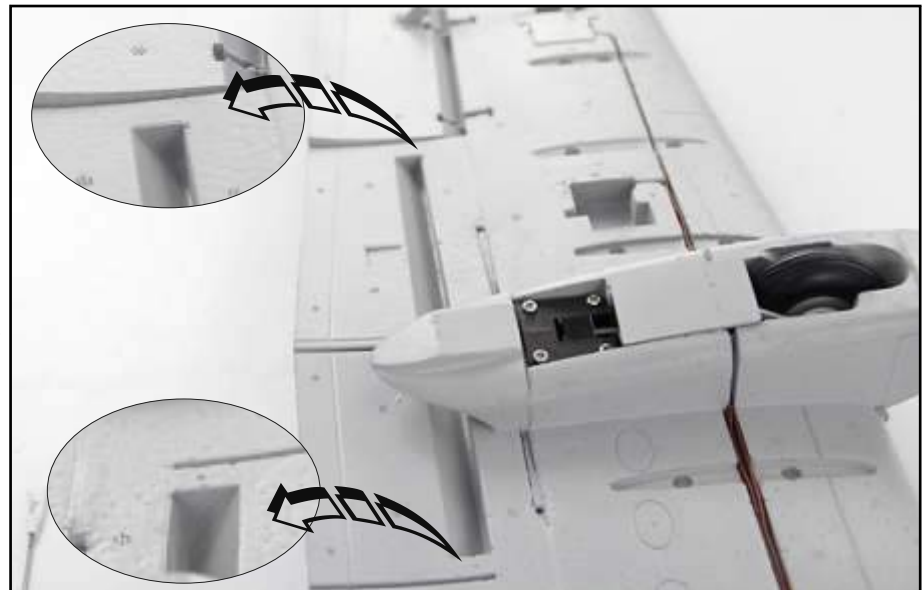
- A-Main wing
- B-Servos
- C-Control horns
- D-Pushrod of flaps



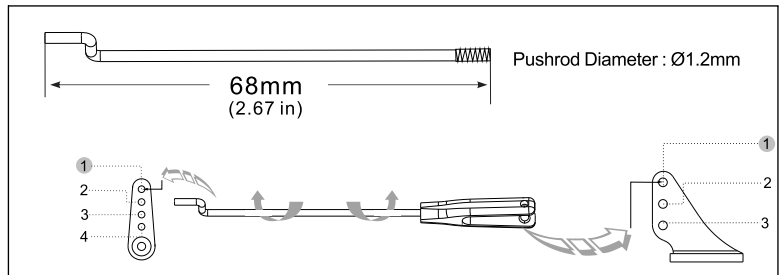
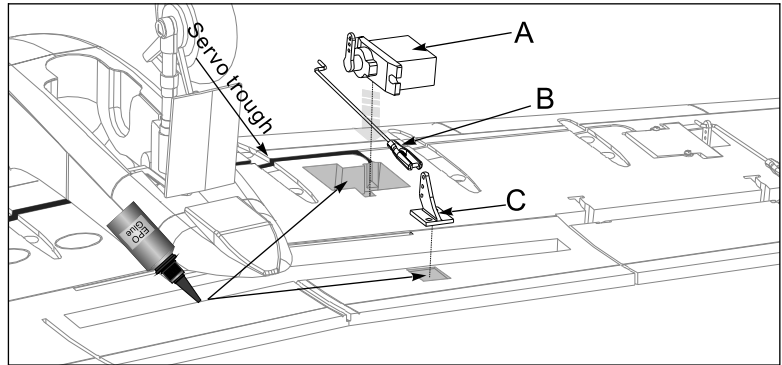
1. Cut the flap foam with a blade. (as the right photo shown.)

**⚠ Note:** Please use new sharp blade, and safety first! when cut the foam, it can't cut into the upper surface of the wing.

2. When after cut the foam of supporting flaps, hold the flap foam by hand, and rotate it, it can let the flaps rotation resistance is smaller.



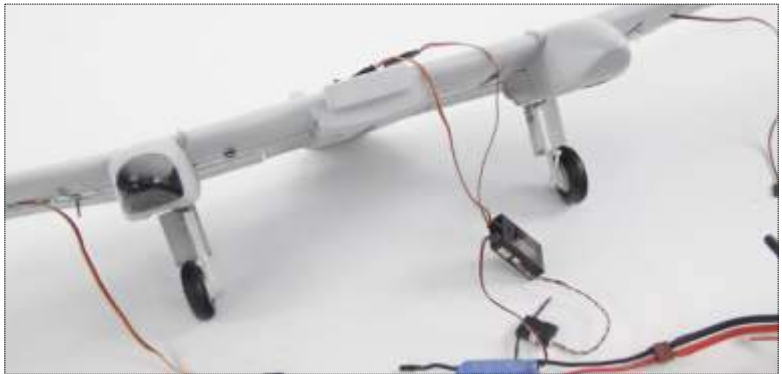
3. Next, we use glue to adhesive the servo and control horns on the main wing. Until glue fixed, then penetrates into the pushrod of flaps.



4. Use servo tester or other machine, connect the retracts channel of main wing separately, and open down the retracts.

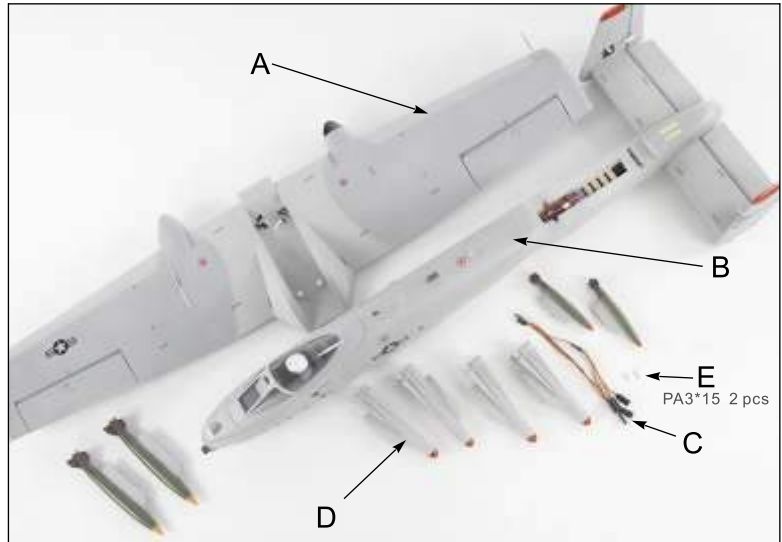
5. Press the servo cabin in the slot, and affixed the sticker.

**Note:** when press the servo cable in the slot, it can add a little glue in the slot, the servo cabin will press very tightly.

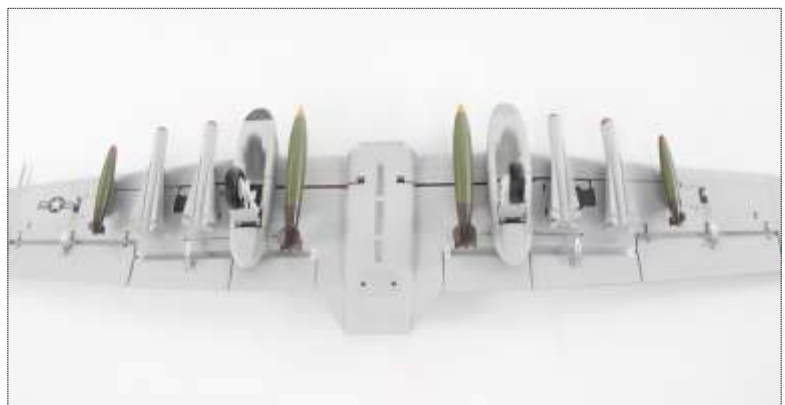
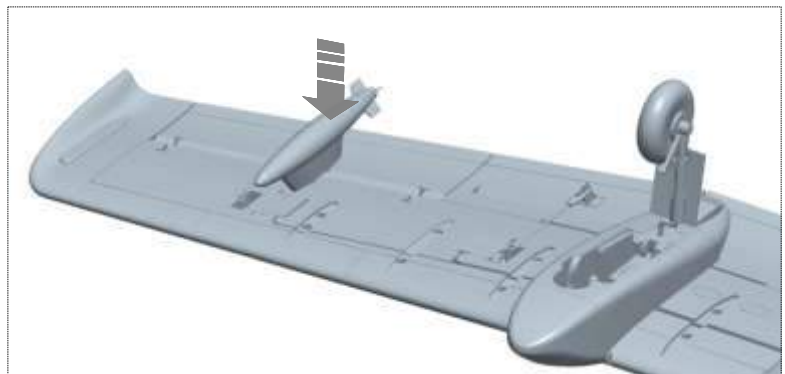
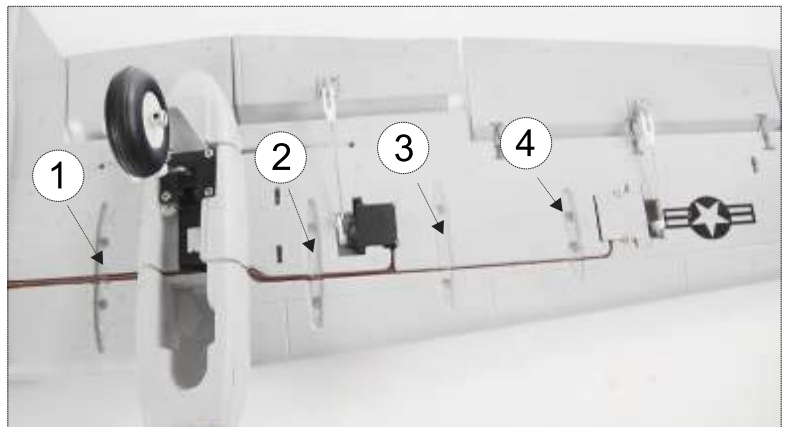


Remove these accessories

- A-Main wing
- B-Fuselage
- C-Y wire (3 pcs)
- D-Scale bombs (8 pcs)
- E-Screw (PA3\*15 2 pcs)



1. As the right photo show, apply the glue to the indicated position and affix the bombs on the main wing.

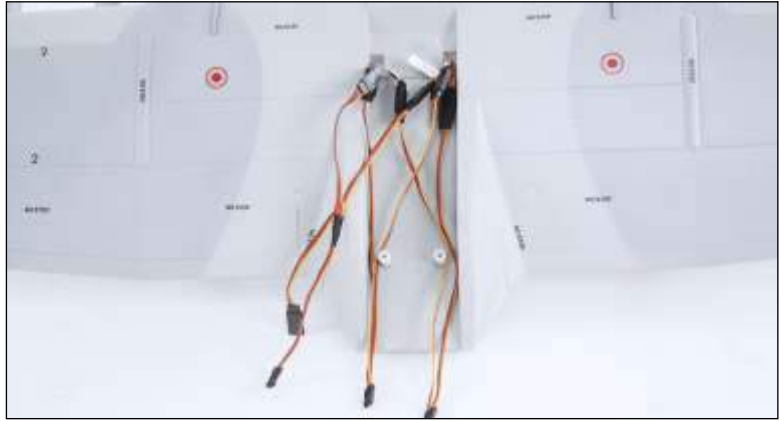




2. Use Y-wire to connect the left / right aileron servo.

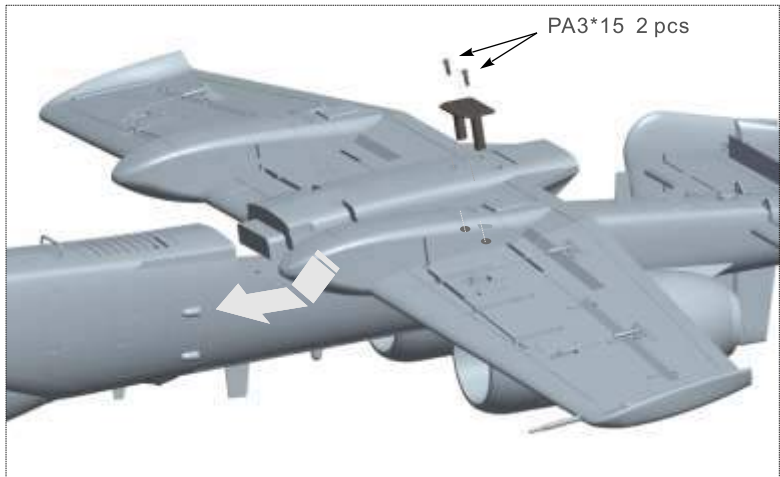
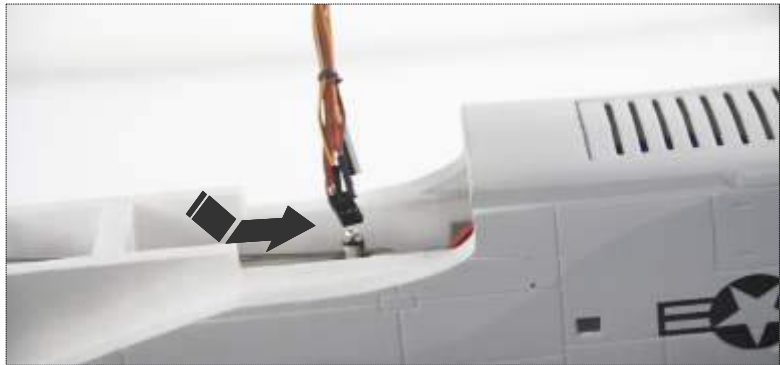
Use Y-wire to connect the left / right flap servo.

Use one "1 to 3" wire to connect the retracts, and reserve one cable to connect the nose retracts.

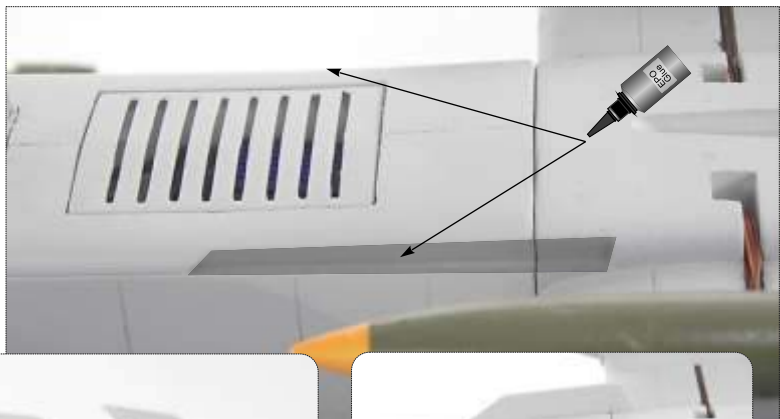


3. Bundled the Y-wires together with cable ties, and insert them into fuselage.

4. Press the main wing on the fuselage and fixed by two screws.



5. Installed main wing, then we glue the two pieces plastic decorated fins into the fuselage.



## Installing the engine compartment

EN

Firstly, remove these accessories

A-Engine compartment

B-Fuselage

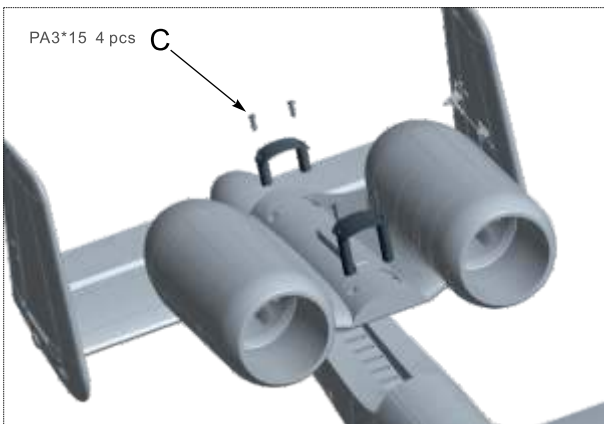
C-Screw (PA3\*15 4 pcs)

**⚠ Note:** If you purchased KIT version, please refer to **Page 14**, installed the EDF power system firstly, then you can do the following steps.

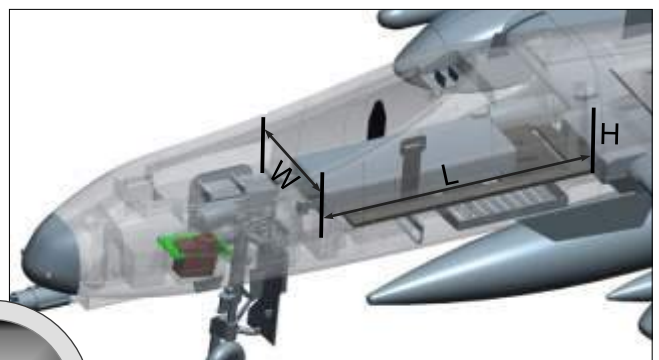
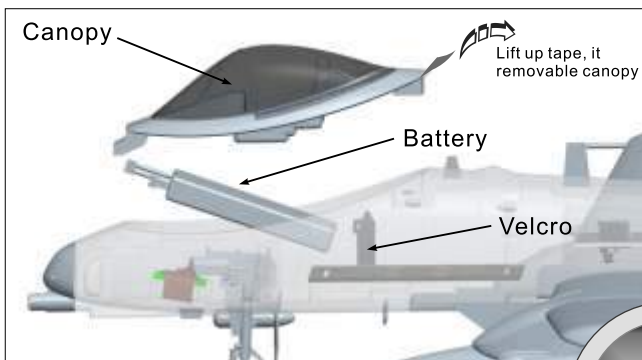


1. Connect the motor wire and ESC extension wire.

2. Put the engine compartment (A) on the fuselage (B), and install the “engine compartment fixed plastic part”, then fixed by 4pcs screws (C).

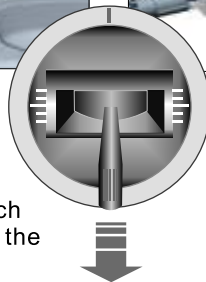


## Install on battery



Lift up tape, it removable canopy, then bundled battery with Velcro.

Before connect battery and receiver, please switch on the transmitter and check that the throttle is in the low position.



Our standard battery is :  
**3S 11.1V 3300mAh 25C or 4S 14.8V 3300mAh 25C**  
 You can choose the battery refer to the battery cabin size.  
**L=190mm W=53mm H=40mm**  
 The battery capacity and discharge rate we advise is in the following:  
**3S 11.1V 3000mAh ~ 3S 11.1V 3700mAh**  
**4S 14.8V 3000mAh ~ 4S 14.8V 3700mAh**  
**Discharge rate ≥ 25C**

Different weight battery may affect its CG, please the correct range of CG indication.

A-10 has two landing gear configuration, fixed landing gear and electric retractable landing gear. In here, we introduce two kinds of installing method of landing gear, for your repair or replacement of reference.

If you choosed the low fixed landing gear version, you can purchase our electric retractable part, to adapt electric retractable landing gear. You need to pay attention is, except one metal wire of nose landing gear, the other parts are the same, don't need to purchase additional!

### Nose landing gear sparepart list:

A-Nose gear wire connecting post	M-Screw (PT2.6*6)
B-Jimi screw (M3*3)	N-Nose landing gear steering arm
C-Nose gear decorated plastic part	O-Nose landing gear steering ring
D-Nose gear damping wire	P-Nose gear steering pushrod
E-Nose gear decorated part 1	
F-Nose gear decorated part 2	<b>Electric retractable landing gear</b>
G-Nose gear decorated part 3	Q-Nose gear metal wire
H-Nose wheel	R-Electric retractable controller
I-Nose wheel fixing bolt	
J-Jimi screw (M3*3)	<b>Fixed landing gear</b>
K-Nose landing gear semi-finished set	S-Nose gear fixed mount
L-Jimi screw (M3*3)	T-Nose gear metal wire

### Installing nose landing gear semi-finished set

1. Insert nose gear damping wire (D) into nose gear wire connecting post (A), and use Jimi screw (B) to fix.
2. Fix the nose gear decorated plastic part (C1. C2) on the nose gear damping wire (D) and nose gear wire connecting post (A) with glue.
3. Then fix the nose gear decorated part (E. F. G) on the nose gear decorated plastic part (C1. C2) with glue.
4. Penetrate the nose wheel (H) into the nose gear damping wire (D), and put the nose wheel fixing bolt (I), then use jimmy screw (J) to fix the nose wheel fixing bolt (I).

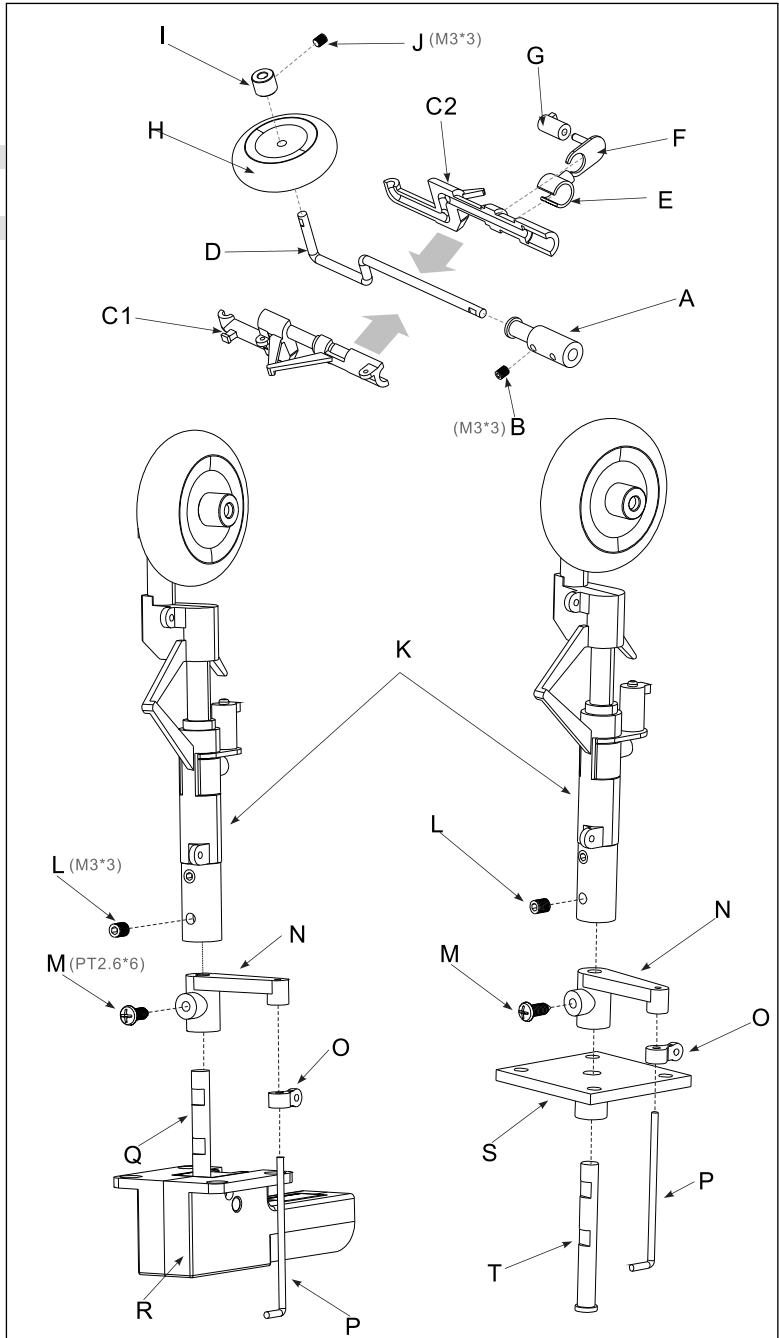
**Note:** when installing, please check the flat position of spareparts, when screw to fix, the flat position must fact to the screw hole, just like this, it can fix successfully, the spareparts don't rotate and fall off.

### Installing nose electric retractable landing gear

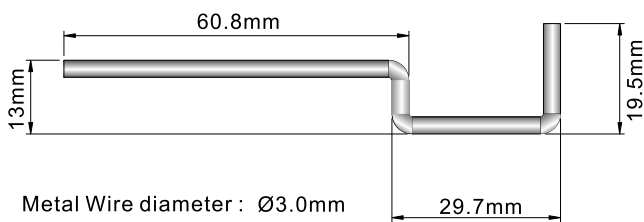
5. Install the nose gear metal wire (Q) in the electric retractable controller (R),
6. Insert the nose landing gear steering arm (N) into the nose gear metal wire (Q), use screw (M) to fix.
7. Also, insert the nose landing gear semi-finished set (K) into the nose gear metal wire (Q), use jimmy screw (L) to fix.
8. Put the nose landing gear steering ring (O) in the nose gear steering pushrod (P), then, insert the threaded side of nose gear steering pushrod (P) into the nose landing gear steering arm (N).

### Installing fixed landing gear

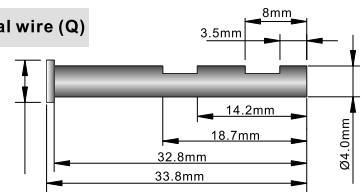
1. Penetrate nose gear metal wire (T) into the nose gear fixed mount (S).
2. Insert the nose landing gear steering arm (N) into the nose gear metal wire (T), use screw (M) to fix.
3. Also, insert the nose landing gear semi-finished set (K) into the nose gear metal wire (T), use jimmy screw (L) to fix.
4. Put the nose landing gear steering ring (O) in the nose gear steering pushrod (P), then, insert the threaded side of nose gear steering pushrod (P) into the nose landing gear steering arm (N).



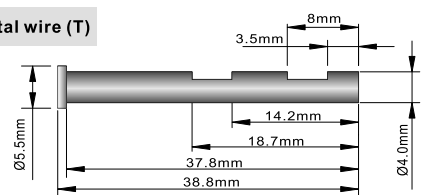
#### Nose gear damping wire (D)



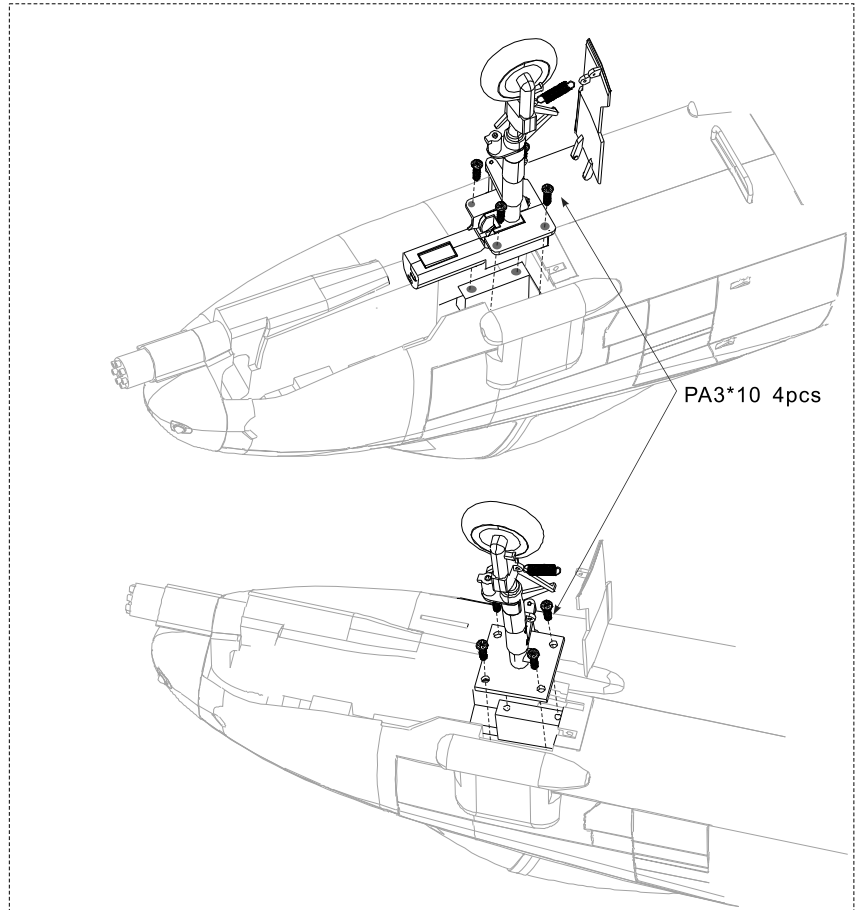
#### Nose gear metal wire (Q)



#### Nose gear metal wire (T)



Whether electric retractable landing gear or fixed landing gear, when we installed, fix the landing gear on the nose gear plastic fixed mount by 4pcs screws.

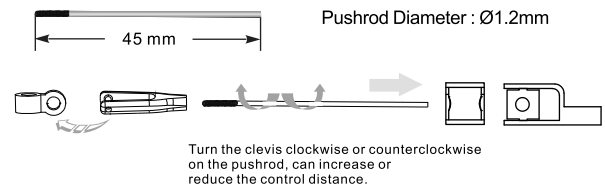


## Installing steering servo of nose gear

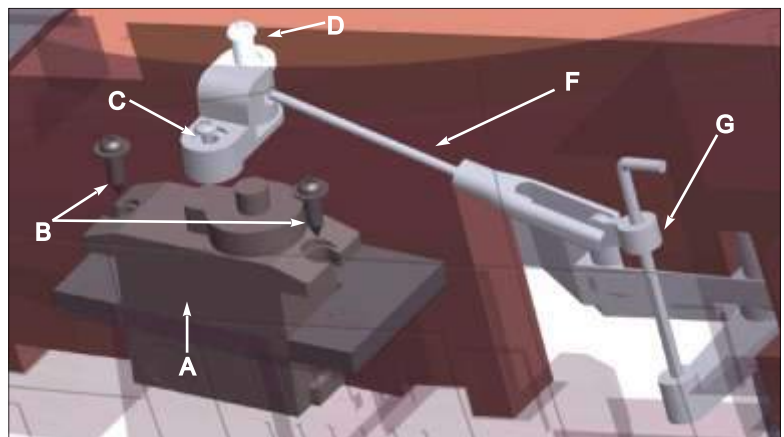
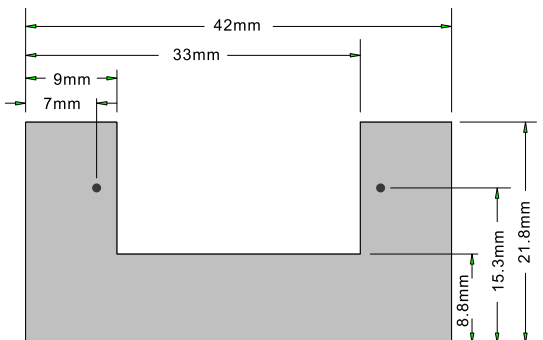
### Sparepart list:

- A-9g gear servo
- B-Screw PWA2\*8
- C-Screw PWA1.7\*5
- D-Screw PM3\*6
- E-"U" shape servo arm
- F-Pushrod
- G-Nose landing gear steering ring

1. Install the servo (A) on the wood piece, and fix it by screw (B). Then install the "U" shape servo arm (E) on the servo (A) and use screw (C) to fix.
2. Put one side of pushrod (F) into the nose landing gear steering ring (G), and another side of pushrod (F) penetrate into "U" shape servo arm (E), adjust its depth to center the nose wheel.
3. Fix the pushrod (F) by screw (D).



### Mount size parameter of nose gear steering servo



## Rear landing gear sparepart list:

- A-Jimi screw
- B-Wheel fixing bolt
- C-Rear wheel
- D-Rear gear damping wire
- E-Rear gear decorated part
- F-Jimi screw

## Electric retractable landing gear

- G-Electric retractable controller

## Fixed landing gear

- H-Rear gear fixed mount.
- I-Rear gear fixing bolt

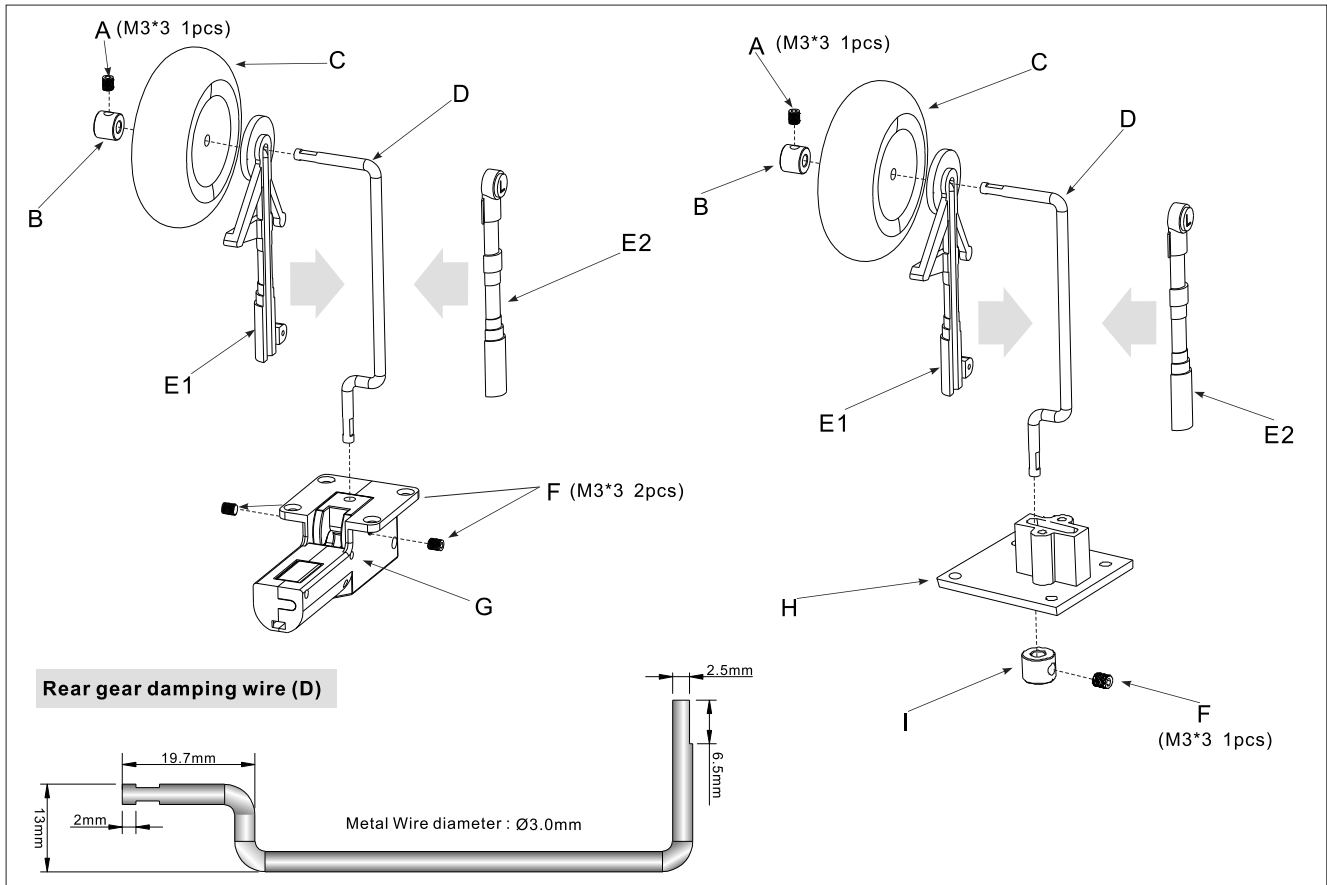
## Installing electric retractable landing gear

1. Insert the rear gear damping wire (D) into the electric retractable controller (G), and fixed by 2pcs jimi screws (F).
2. Apply the glue to the rear gear decorated part (E) and attach it on the rear gear damping wire (D).
3. According to the sequence in turn, put the rear wheel (C) and wheel fixing bolt (B) into the rear gear damping wire (D), then use 1 pcs jimi screws (A) to fix the wheel fixing bolt (B).

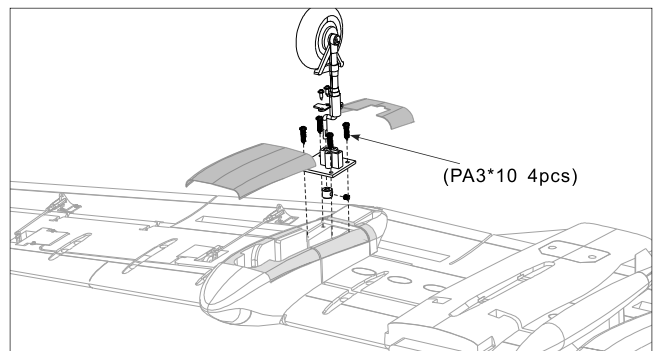
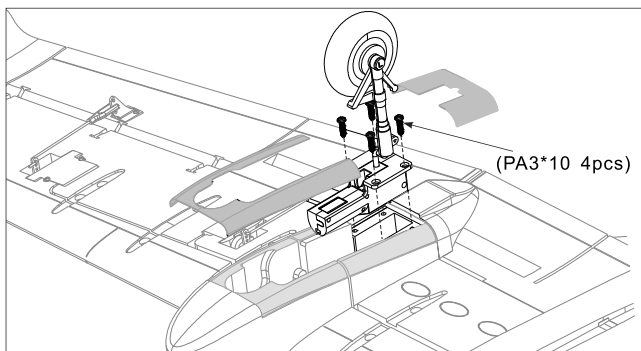
## Installing fixed landing gear

1. Insert the rear gear damping wire (D) into the rear gear fixed mount (H), and put the rear gear fixing bolt in it, then use 1 pcs jimi screws (F) to fix.
2. Apply the glue to the rear gear decorated part (E) and attach it on the rear gear damping wire (D).
3. According to the sequence in turn, put the rear wheel (C) and wheel fixing bolt (B) into the rear gear damping wire (D), then use 1 pcs jimi screws (A) to fix the wheel fixing bolt (B).

**⚠ Note:** when installing, please check the flat position of spareparts, when screw to fix, the flat position must fact to the screw hole, just like this, it can fix successfully ,the spareparts don't rotate and fall off !

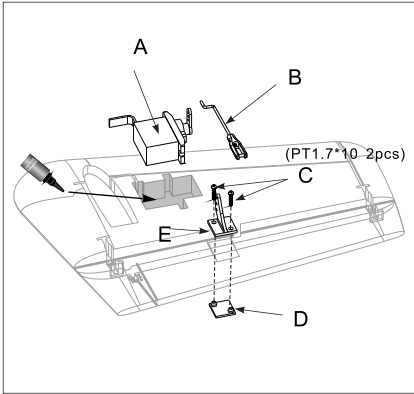


Whether electric retractable landing gear or fixed landing gear, when we installed, fix the landing gear on the rear gear plastic fixed mount by 4pcs screws.



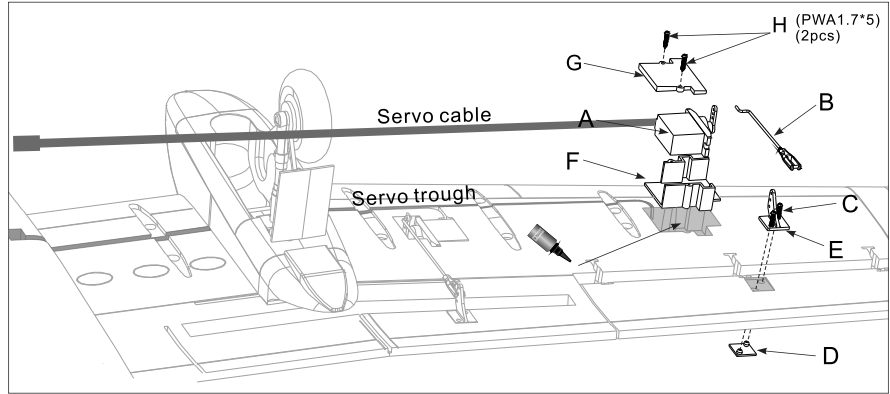
## Installing the servo of rudder

1. Fix the control surface horn (E) and control surface spacer (D) on the rudder by 2 pcs screws (C).
2. Apply the glue on the indicated place, and attach the servo (A) on the rudder.
3. Connect the servo arm and control surface horn with pushrod (B).
4. Center the control surface.



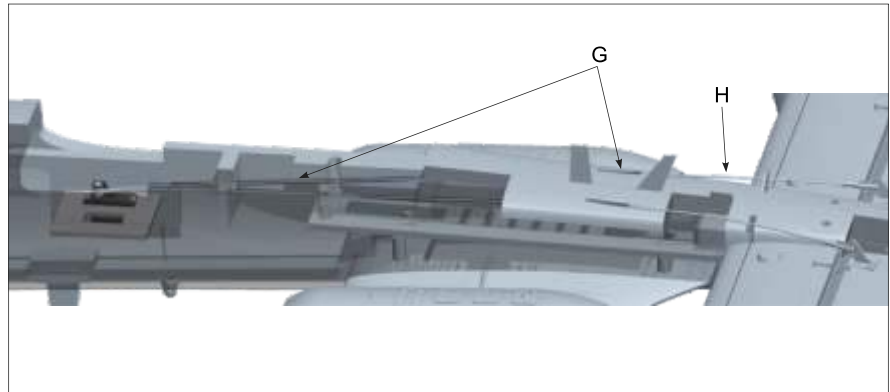
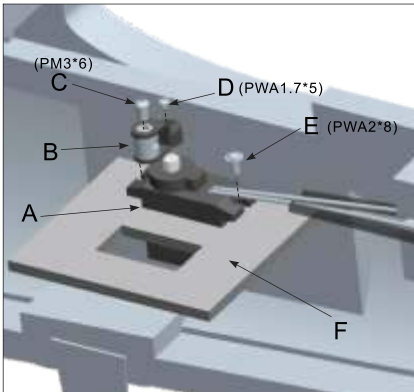
## Installing the servo of aileron

1. Fix the control surface horn (E) and control surface spacer (D) on the main wing by 2 pcs screws (C).
2. Apply the glue on the indicated place, and attach the servo box (F) on the main wing.
3. Press the servo (A) into the the servo box (F), and press the servo cable on the trough, then cover the servo box cover (G) and fix it by 2 pcs screws (H).
4. Connect the servo arm and control surface horn with pushrod (B).
5. Center the control surface.

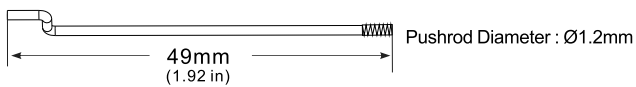


## Installing the servo of elevator

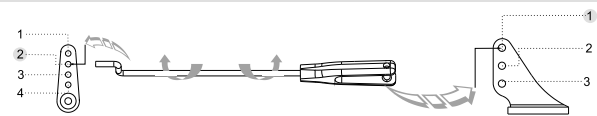
1. Install the servo (A) in the wood piece (F), and fix the servo by 2 pcs screws (E).
2. Fix the U shape servo arm (B) on the servo by 1 pcs screw (D).
3. Insert the elevator pushrod (H) into the plastic tube (G) of fuselage, the elevator pushrod (H) should penetrate the the plastic tube (G) to the position of elevator servo. And insert one side of elevator pushrod to the fixing bolt of U shape servo arm (B). Use the same way to install another elevator pushrod.
4. Under the condition of elevator centered, put the clevis into the elevator surface horn.
5. At last, use screw (C) to fix the pushrod.



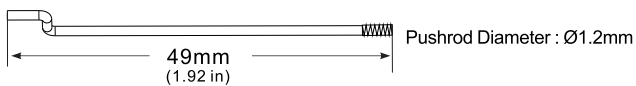
### Aileron pushrod size



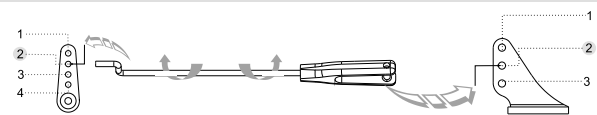
### Aileron pushrod mounting hole



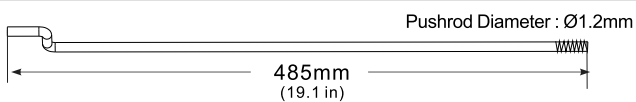
### Rudder pushrod size



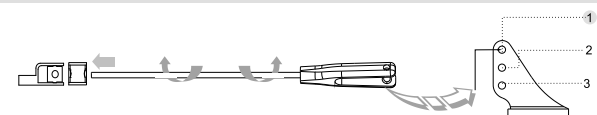
### Rudder pushrod mounting hole



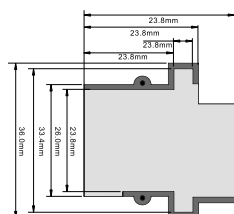
### Elevator pushrod size



### Elevator pushrod mounting hole

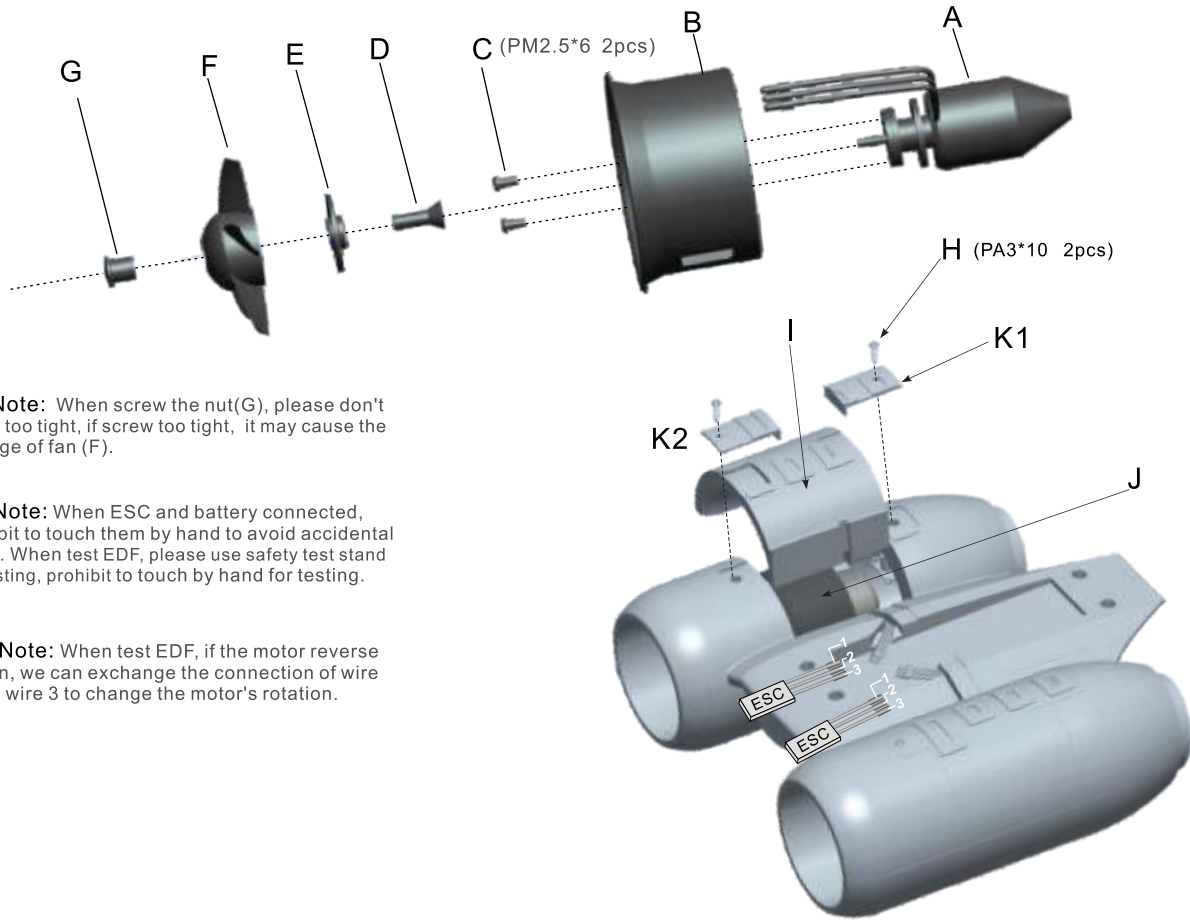


**⚠ Note:** we have installed all the servo box in aircraft, when players disassemble the servo, it will not damage the foam surface. If need to replace servo, please purchase **Freewing** servo, or refer to the following drawing, choose the correct size servo!



1. Assemble motor (A) to the motor mount (B).
2. Fix the motor(A) by screws(C).
3. Insert the collet(D) into motor shaft.
4. Set backplate(E) into the collet(D).
5. Set the rotor (F) into the collet(D).
6. Screw the collet(D) by nut(G) to fix the rotor (F).

7. Put the assembled EDF (J) into fuselage.
8. Connect ESC and motor and sort out the wires of ESC and motor.
9. Cover the EDF cabin cover(I) and cabin cover fixed part (K).
10. Fix it by 2pcs screws(H).

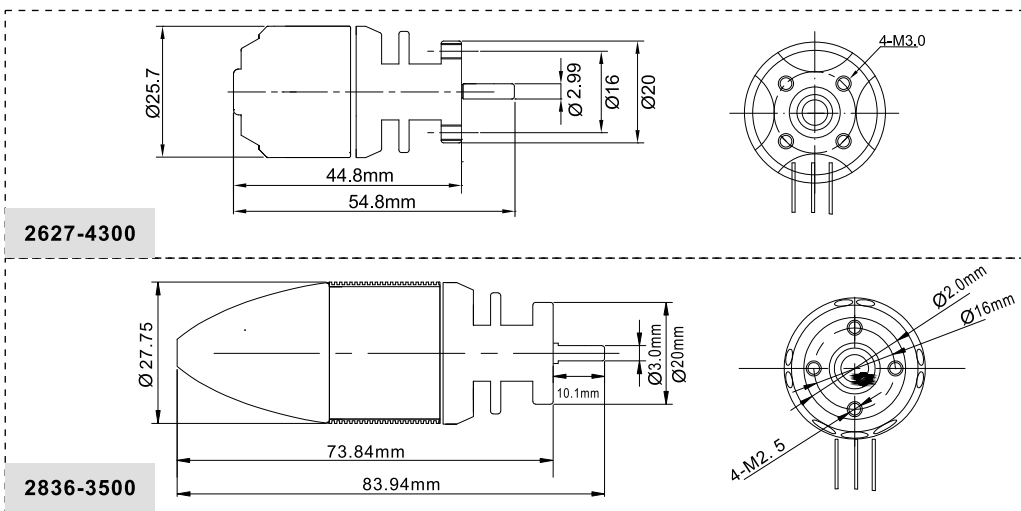


**Note:** When screw the nut(G), please don't screw too tight, if screw too tight, it may cause the damage of fan (F).

**Note:** When ESC and battery connected, prohibit to touch them by hand to avoid accidental injury. When test EDF, please use safety test stand for testing, prohibit to touch by hand for testing.

**Note:** When test EDF, if the motor reverse to turn, we can exchange the connection of wire 1 and wire 3 to change the motor's rotation.

## Motor parameters



2627-4300KV brushless motor use 3S 11.1V lipo battery and 30A ESC

3826-3500KV brushless motor use 4S 14.8V lipo battery and 40A ESC.

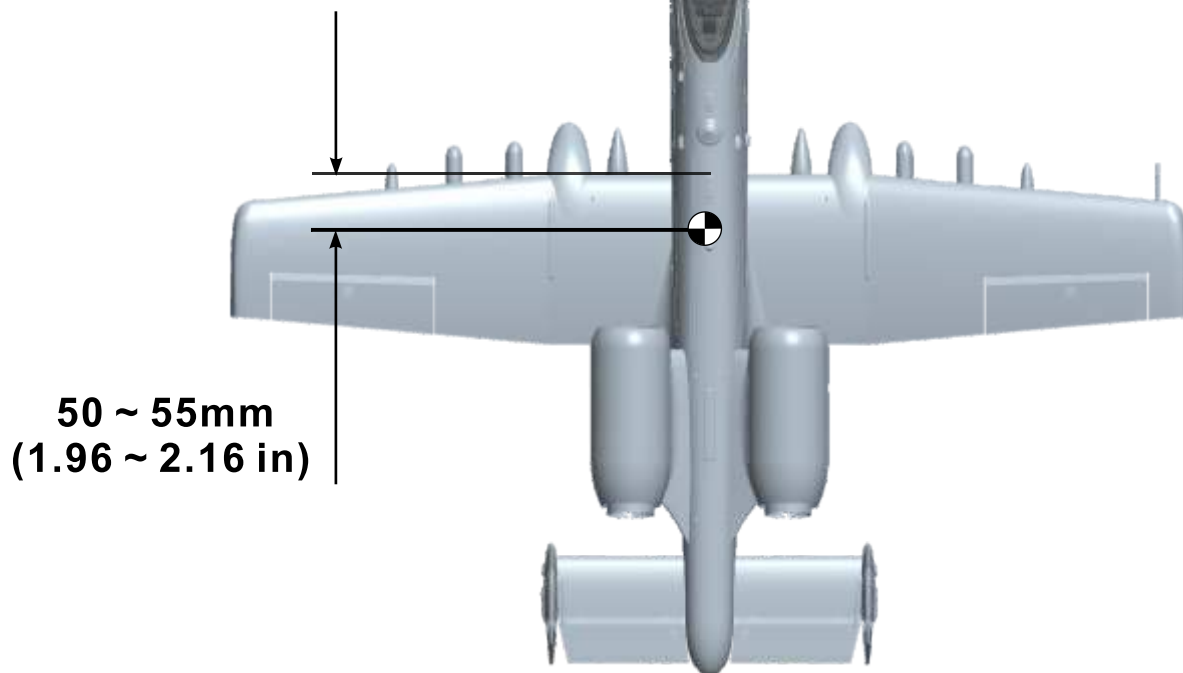
**Note:** If you need other motor to use, please refer to the dimension shown on the left to select your motor, to make sure that the motor you purchased can install successfully.

Model	KV Value	Volate (V)	Current (A)	Pull (g)	RPM	Weight (g)	No Load Current	Propeller	ESC
2627-4300	4300RPM/V	11.1	22.1	680	47700	42	0.7A	64mm Ducted Fan	30A
2836-3500	3500RPM/V	14.8	32	900	51000	98	2.7A	64mm Ducted Fan	40A

Correct center of gravity is directly related to the success of the flight, please refer to the following CG diagram to adjust your plane's center of gravity.

- You can move the battery forward or backward to adjust the center of gravity.

-If you can not adjust the CG through move the battery, you can also use some other suitable material weight to counterweight, to make sure that CG is in the correct position.

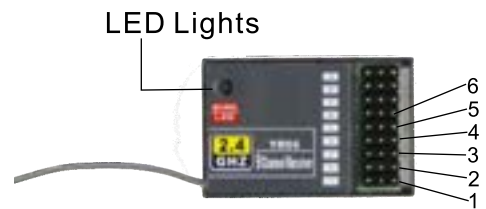




## 1. Radio include the transmitter and receiver.



## 2. Radio function introduction (Mode 2)



- Aileron —————> Ch1
- Elevator —————> Ch2
- Throttle —————> Ch3
- Rudder —————> Ch4
- Landing Gear —————> Ch5
- Flaps —————> CH6

- 1. Gear Switch (For 6CH)
- 2. Flap Switch (For 6CH)
- 3. D/R (For 6CH)
- 4. Trim
- 5. Power indicator
- 6. Delta
- 7. Reverse
- 8. Neckstrap Attachment

**Note:** The factory have bind the aircraft and transmitter, you can use directly. In exceptional circumstances, it need to re-frequency, please set up as following method.

- Press on the receiver Frequency switch.
- While press on the receiver frequency switch, the receiver power on.  
(Now receiver frequency signal light should be continued flashing.)
- Switch on transmitter. ( Red/yellow/green, the three LED signal light in transmitter should be continued flashing.)
- Release the receiver frequency switch.
- After the success of frequency, receiver frequency signal light and transmitter signal light are "lights on", not flashing.

After installed the plane, before flying, we need a fully charged battery and connect to the ESC, then use radio to test and check that every control surface work properly.

### Aileron

Stick Left



Stick Right



### Elevator

Up Elevator



Down Elevator



### Rudder

Stick Left



Stick Right

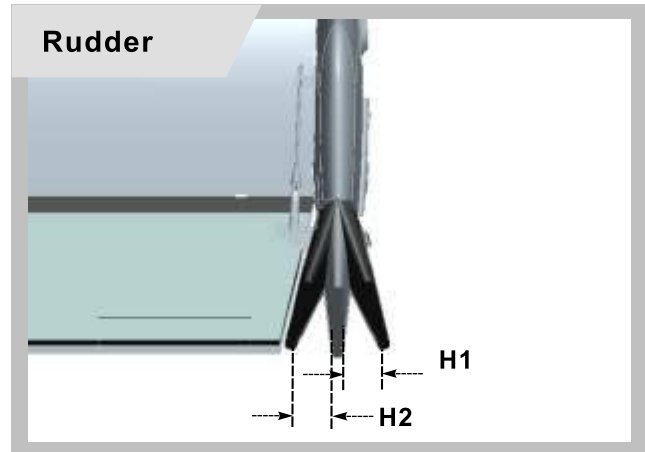
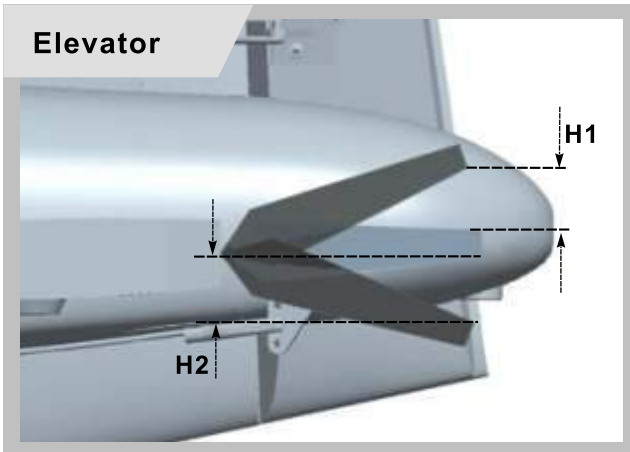
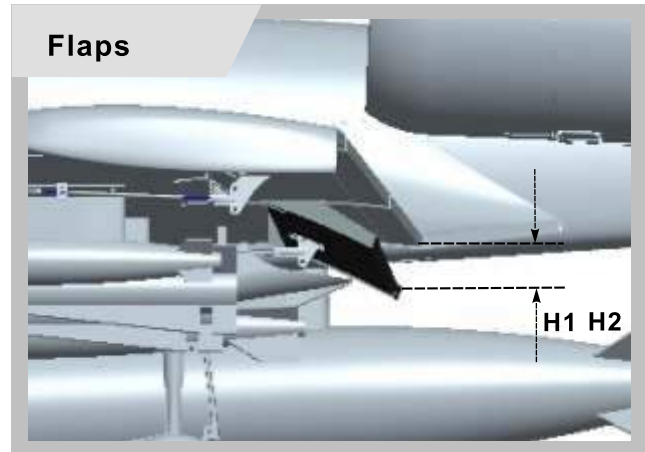
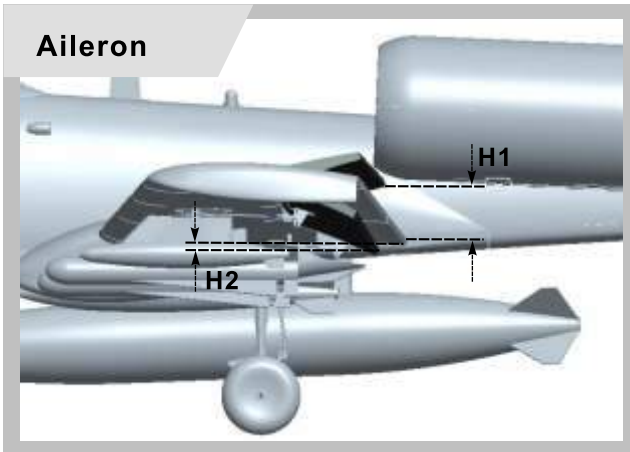


### Optional Flaps

Flaps Down



According to our testing experience, according to the following parameters to set the aileron/elevator rate, it will be useful for flight. In low rate, its good for flight control and its suitable for the initial flight or less skilled players. According to your own circumstance, choose one rate in flight.



	Aileron	Flaps	Elevator	Rudder
<b>Low Rate</b>	H1/H2 8mm/8mm	H1 14mm	H1/H2 4mm/4mm	H1/H2 5mm/5mm
<b>High Rate</b>	H1/H2 14mm/14mm	H2 21mm	H1/H2 8mm/8mm	H1/H2 9mm/9mm

Motor does not turn on	A) Li-Po battery depleted	A) Recharge Li-Po battery
	B) Transmitter batteries depleted	B) Replace or recharge batteries
	C) Transmitter not turned on	C) Turn on transmitter
	D) Li-Po battery not plugged in	D) Plug in Li-Po battery
	E) Motor not armed	E) Arm motor
	F) A crash has damaged an internal component	F) Replace
	G) ESC or other damaged	G) Check ESC or contact local distributor
Cub is difficult to control	A) You are flying in too much wind	A) Fly when there is no wind
	B) Li-Po battery depleted	B) Recharge Li-Po battery
	C) Transmitter batteries depleted	C) Replace or recharge batteries
	D) Transmitter antenna not extended completely	D) Extend transmitter antenna completely
	E) Surface control rate is too high	E) Use low rate to fly
The nose always move down when fly, always need to up elevator	A) CG is forward	A) Adjust CG backward refer to instruction
Cub constantly climbs or descends, or turns right or left without control input	A) The aircraft is out of trim adjustment	A) Adjust the transmitter trim tabs
	B) You are flying in too much wind	B) Fly when there is no wind
Elevator is too flexible, up and down is not stable	A) CG is backward	A) Adjust CG forward refer to instruction
Plane will be slant when taxi on the runway	A) Nose gear is not center.	A) Center nose gear
	B) Rudder is not center.	B) Center rudder
Take off is difficult	A) Thrust is not on the high position	A) Thrust is on the high position
	B) Taxi distance is not enough	B) Long taxi distance
	C) Elevator rate is not enough high	C) Use high rate of elevator
Cub will not climb	A) Li-Po battery is depleted	A) Recharge Li-Po battery
	B) Ducted fan is damaged	B) Check and replace ducted fan
	C) Motor is damaged	C) Check and replace motor
	D) ESC overheat protection, power reduction.	D) Landing firstly, check and select a more powerful ESC
Li-Po battery is slightly warm after charging	A) This is normal	A) The Li-Po battery may be slightly warm when fully charged. It should not be hot to the touch.
Motor vibrates excessively	A) Ducted fan is damaged	A) Check and replace ducted fan
	B) Motor is damaged	B) Check and replace motor
	C) Ducted fan is not balance	C) Adjust the ducted fan balance
	D) High speed will happen slightly vibrate	D) Its normal to use
Control surface move the wrong direction	A) Servo direction is reversed	A) Adjust servo reversing function

Item No.	Product name	Specification	Unit	Qty	Item No.	Product name	Specification	Unit	Qty		
M002611	Outrunner brushless	2627-4300KV	pcs	1	N402	L shape landing gear steering arm	L shape landing gear steering arm	pcs	1		
M002811	Outrunner brushless	2836-3500KV	pcs	1			metal wire	pcs	1		
P0641	64mm EDF	/	set	1			nose landing gear steering ring	pcs	1		
FE0032-A10	30A dual ESC	30A dual ESC (output L=350mm)	set	1			screw PT2.6*6	pcs	1		
FE0041-A10	40A dual ESC	40A dual ESC (output L=350mm)	set	1	FJ120111	A10 pushrod	flap pushrod (L=68mm Φ1.2mm)	pcs	2		
E702	64mm EDF power system (3S)	64mm EDF 2627-4300KV motor	set pcs	1 1			aileron pushrod (L=49mm Φ1.2mm)	pcs	2		
E701	64mm EDF power system (4S)	64mm EDF	set	1			rudder pushrod- (L=49mm Φ1.2mm)	pcs	2		
		2836-3500KV motor	pcs	1			elevator pushrod (L=485mm Φ1.2mm)	pcs	2		
							nose steering pushrod (L=45mm Φ1.2mm)	pcs	1		
MA30091	9g servo	9g plastic gear servo	set	1	FJ120112	A10 screw bag	screw PWA2.0*8	pcs	4		
		screw PA1.7*4	pcs	2			screw PWA1.7*5	pcs	8		
		screw PWA2.0*8	pcs	2			screw PA3*15	pcs	8		
MA30091R	9g servo	9g plastic gear servo (reverse)	set	1			screw PA3*10	pcs	16		
		screw PA1.7*4	pcs	2			screw PA1.7*4	pcs	6		
		screw PWA2.0*8	pcs	2			screw PT2.6*6	pcs	1		
MA30093R	9g servo	9g plastic gear servo (with "U" arm) Use for A-10 elevator/nose steering	set	1			screw PT1.7*12	pcs	4		
		screw PA1.7*4	pcs	2			screw PT1.7*10	pcs	8		
		screw PWA2.0*8	pcs	2			screw PM3*6	pcs	1		
FJ120101	A10 fuselage set	Installed, painted	set	1			screw PM2.5*6	pcs	4		
FJ120102	Main wing set	Installed, painted	set	1			jimi screw M3*3	pcs	9		
FJ120103	Tail wing set	Installed, painted	set	1			nose gear cabin spring 0.3*4*15*24N	pcs	1		
FJ120104	Engine compartment	Installed, painted	set	1			N202	Clevis	clevis Ø1.2mm	pcs	8
FJ120190	Guided missiles	Installed, painted	set	1					Long silicone tube	pcs	10
FJ120106	Cockpit/canopy/pilot	Installed, painted	set	1			N101	Control surface horn	Control surface horn	pcs	12
FJ1201061	Cockpit	Installed, painted	set	1					Control surface spacer	pcs	12
FJ1201062	Canopy	Installed, painted	set	1	FJ120109	Blister piece	blister piece for A10	set	1		
12520	Pilot figure	Installed, painted H:52mm; W:52mm	pcs	1							
FJ120108	Electric retracts	Installed, use directly	set	1							
FJ1201081	Nose landing gear	Installed, use directly	set	1							
FJ1201082L	Rear landing gear (Left)	Installed, use directly	set	1							
FJ1201082R	Rear landing gear (Right)	Installed, use directly	set	1							
	Electric retractable	Installed, use directly	pcs	1							
FJ120208	Fixed landing gear	Installed, use directly	set	1							
FJ1201083	Landing gear metal wire set (use for fixed landing gear and retracts both)	rear landing gear metal wire & decated parts (installed)	set	1							
		nose landing gear supporting wire & decorated parts(installed)	set	1							
		nose landing gear metal wire (for retract)	pcs	1							
		nose landing gear metal wire (for fixed landing gear)	pcs	1							
		nose gear steering set	set	1							
		rear gear fixed mount	pcs	2							
FJ1201084	Rear landing gear metal wire (left/right)	rear landing gear metal wire & decated	set	1							
		rear gear fixed mount	pcs	2							
FJ1201085	Nose landing gear metal wire set	nose landing gear supporting wire & decorated parts(installed)	set	1							
		nose landing gear metal wire (for retract)	pcs	1							
		nose landing gear metal wire (for fixed landing gear)	pcs	1							
FJ1201086	Landing gear plastic part	Landing gear fixed mount	pcs	3							
		rear gear metal wire fixed mount	pcs	2							
		nose gear metal wire fixed mount	pcs	1							
		rear gear fixed piece	pcs	2							
		rear gear cabin cover	pcs	2							
		nose gear cabin cover	pcs	1							
		Decorated parts of landing gear supporting wire	set	1							
		nose gear decorated part 1	pcs	1							
		nose gear decorated part 2	pcs	1							
		nose gear decorated part 3	pcs	1							



**Dongguan Freewing Electronic Technology Ltd**  
**HK Freewing Model International Limited**

Add.: FeiYi Building, face to Labor Bureau, Fumin Middle Road, Dalang Town,  
Dongguan City, Guangdong Province, China

Web: <http://www.sz-freewing.com>

Email: [freewing@sz-freewing.com](mailto:freewing@sz-freewing.com)

Tel: 86-769-82669669 Fax: 86-769-82033233

**东莞市飞翼电子科技有限公司**  
**香港飞翼模型国际有限公司**

地址: 广东省东莞市大朗镇富民中路402-408号飞翼楼四楼

Web: <http://www.sz-freewing.com>

Email: [freewing@sz-freewing.com](mailto:freewing@sz-freewing.com)

Tel: 86-769-82669669 Fax: 86-769-82033233