

axial[®]
www.axialracing.com



AXI03014

1/10th SCALE READY-TO-RUN

SCX10™ III EARLY FORD BRONCO



**INSTRUCTION MANUAL
BEDIENUNGSANLEITUNG
MANUEL D'UTILISATION
MANUALE DI ISTRUZIONI**

Scan the QR code and select the Manuals & Support tab from the product page for the most up-to-date information.

Scannen Sie den QR-Code und wählen Sie auf der Produktseite die Registerkarte Handbücher und Unterstützung, um die aktuellsten Informationen zu erhalten.

Scannez le code QR et sélectionnez l'onglet Manuals and Support sur la page du produit pour obtenir les informations les plus récentes.

Scannerizzare il codice QR e selezionare la scheda Manuali e Supporto dalla pagina del prodotto per le informazioni più aggiornate.

HORIZON[®]
H O B B Y

NOTICE

All instructions, warranties and other collateral documents are subject to change at the sole discretion of Horizon Hobby, LLC. For up-to-date product literature, visit horizonhobby.com or towerhobbies.com and click on the support or resources tab for this product.


MEANING OF SPECIAL LANGUAGE

The following terms are used throughout the product literature to indicate various levels of potential harm when operating this product:

WARNING: Procedures, which if not properly followed, create the probability of property damage, collateral damage, and serious injury OR create a high probability of superficial injury.

CAUTION: Procedures, which if not properly followed, create the probability of physical property damage AND a possibility of serious injury.

NOTICE: Procedures, which if not properly followed, create a possibility of physical property damage AND a little or no possibility of injury.

 **WARNING:** Read the ENTIRE instruction manual to become familiar with the features of the product before operating. Failure to operate the product correctly can result in damage to the product, personal property and cause serious injury.

This is a sophisticated hobby product. It must be operated with caution and common sense and requires some basic mechanical ability. Failure to operate this Product in a safe and responsible manner could result in injury or damage to the product or other property. This product is not intended for use by children without direct adult supervision. Do not use with incompatible components or alter this product in any way outside of the instructions provided by Horizon Hobby, LLC. This manual contains instructions for safety, operation and maintenance. It is essential to read and follow all the instructions and warnings in the manual, prior to assembly, setup or use, in order to operate correctly and avoid damage or serious injury.

Age Recommendation: Not for children under 14 years. This is not a toy.

SAFETY PRECAUTIONS AND WARNINGS

As the user of this product, you are solely responsible for operating in a manner that does not endanger yourself and others or result in damage to the product or property of others.

This model is controlled by a radio signal subject to interference from many sources outside your control. This interference can cause momentary loss of control, so it is advisable to always keep a safe distance in all directions around your model as this margin will help avoid collisions or injury.

- Never operate your model with low transmitter batteries.
- Always operate your model in open spaces away from full-size vehicles, traffic and people.
- Never operate the model in the street or in populated areas for any reason.
- Carefully follow the directions and warnings for this and any optional support equipment (chargers, rechargeable battery packs, etc.) you use.
- Keep all chemicals, small parts and anything electrical out of the reach of children.
- Never lick or place any portion of the model in your mouth as it could cause serious injury or even death.
- Exercise caution when using tools and sharp instruments.
- Take care during maintenance as some parts may have sharp edges.
- Immediately after using your model, do NOT touch equipment such as the motor, electronic speed control and battery, because they generate high temperatures. You may burn yourself seriously touching them.
- Do not put fingers or any objects inside rotating and moving parts, as this may cause damage or serious injury.
- Always turn on your transmitter before you turn on the receiver in the car. Always turn off the receiver before turning your transmitter off.
- Keep the wheels of the model off the ground when checking the operation of the radio equipment.


 **WARNING AGAINST COUNTERFEIT PRODUCTS:** Always purchase from a Horizon Hobby, LLC authorized dealer to ensure authentic high-quality Spektrum product. Horizon Hobby, LLC disclaims all support and warranty with regards, but not limited to, compatibility and performance of counterfeit products or products claiming compatibility with DSM® or Spektrum technology.

TABLE OF CONTENTS


| | | | |
|---|---|---|----|
| Water-resistant Vehicle with Waterproof Electronics | 3 | vehicle maintenance | 9 |
| box Contents | 4 | Spektrum REceiver/ESC Combo | 10 |
| Required Equipment | 4 | Gear Ratios | 10 |
| recommended tools | 4 | Troubleshooting | 11 |
| Getting started checklist | 5 | Limited Warranty | 12 |
| Vehicle parts | 5 | Warranty and Service Contact Information | 12 |
| Charge the vehicle battery | 6 | FCC Information | 13 |
| Install the transmitter batteries | 6 | IC Information | 13 |
| Transmitter functions | 6 | Compliance Information for the European Union | 13 |
| Adjusting the Vehicle battery tray | 7 | Parts Lists | 57 |
| Install the vehicle battery | 7 | Recommended Parts | 59 |
| Binding | 8 | Optional Parts | 60 |
| Range-checking the radio system | 8 | Electronics | 60 |
| Using the DIG transmission | 8 | Notes | 61 |

WATER-RESISTANT VEHICLE WITH WATERPROOF ELECTRONICS

Your new Horizon Hobby vehicle has been designed and built with a combination of waterproof and water-resistant components to allow you to operate the product in many “wet conditions,” including puddles, creeks, wet grass, snow and even rain.

While the entire vehicle is highly water-resistant, it is not completely waterproof and your vehicle should NOT be treated like a submarine. The various electronic components used in the vehicle, such as the Electronic Speed Control (ESC), servo(s) and receiver are waterproof, however, most of the mechanical components are water-resistant and should not be submerged.

Metal parts, including the bearings, hinge pins, screws and nuts, as well as the contacts in the electrical cables, will be susceptible to corrosion if additional maintenance is not performed after running in wet conditions. To maximize the long-term performance of your vehicle and to keep the warranty intact, the procedures described in the “Wet Conditions Maintenance” section below must be performed regularly if you choose to run in wet conditions. If you are not willing to perform the additional care and maintenance required, then you should not operate the vehicle in those conditions.

 **CAUTION:** Failure to exercise caution while using this product and complying with the following precautions could result in product malfunction and/or void the warranty.


GENERAL PRECAUTIONS

- Read through the wet conditions maintenance procedures and make sure that you have all the tools you will need to properly maintain your vehicle.
- Not all batteries can be used in wet conditions. Consult the battery manufacturer before use. Caution should be taken when using Li-Po batteries in wet conditions.
- Most transmitters are not water-resistant. Consult your transmitter’s manual or the manufacturer before operation.
- Never operate your transmitter or vehicle where lightning may be present.
- Do not operate your vehicle where it could come in contact with salt water (ocean water or water on salt-covered roads), contaminated or polluted water. Salt water is very conductive and highly corrosive, so use caution.

- Even minimal water contact can reduce the life of your motor if it has not been certified as water-resistant or waterproof. If the motor becomes excessively wet, apply very light throttle until the water is mostly removed from the motor. Running a wet motor at high speeds may rapidly damage the motor.
- Driving in wet conditions can reduce the life of the motor. The additional resistance of operating in water causes excess strain. Alter the gear ratio by using a smaller pinion or larger spur gear. This will increase torque (and motor life) when running in mud, deeper puddles, or any wet conditions that will increase the load on the motor for an extended period of time.

WET CONDITIONS MAINTENANCE

- Drain any water that has collected in the tires by spinning them at high speed. With the body removed, place the vehicle upside down and pull full throttle for a few short bursts until the water has been removed.

 **CAUTION:** Always keep hands, fingers, tools and any loose or hanging objects away from rotating parts when performing the above drying technique.

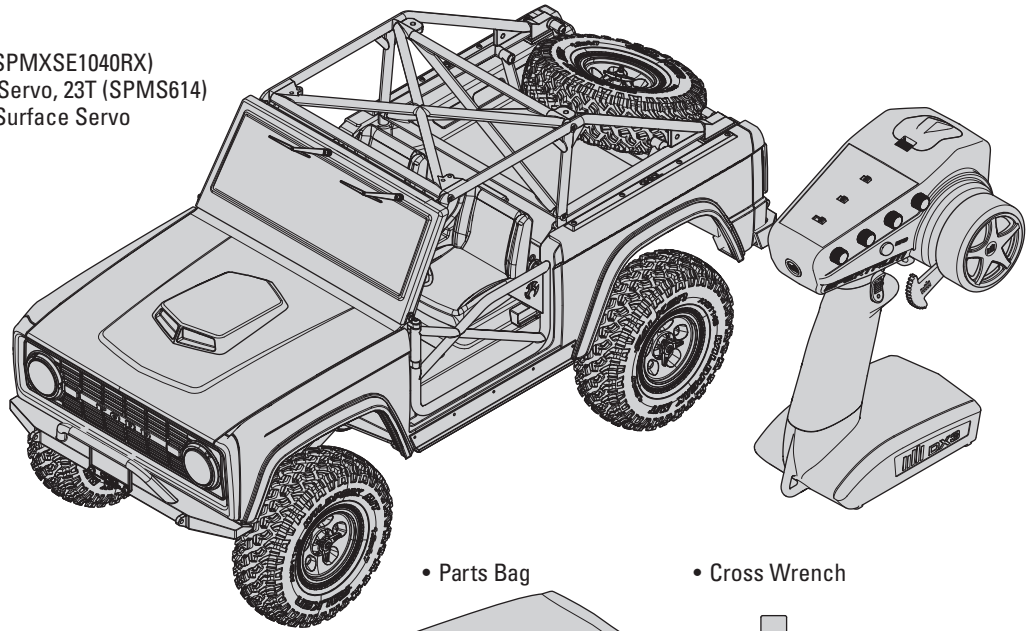
- Remove the battery pack(s) and dry the contacts. If you have an air compressor or a can of compressed air, blow out any water that may be inside the recessed connector housing.
- Remove the tires/wheels from the vehicle and gently rinse the mud and dirt off with a garden hose. Avoid rinsing the bearings and transmission.

NOTICE: Never use a pressure washer to clean your vehicle.

- Use an air compressor or a can of compressed air to dry the vehicle and help remove any water that may have gotten into small crevices or corners.
- Spray the bearings, drive train, fasteners and other metal parts with a water-displacing light oil. Do not spray the motor.
- Let the vehicle air dry before you store it. Water (and oil) may continue to drip for a few hours.
- Increase the frequency of disassembly, inspection and lubrication of the following:
 - Front and rear axle hub assembly bearings.
 - All transmission cases, gears and differentials.
 - Motor—clean with an aerosol motor cleaner and re-oil the bushings with lightweight motor oil.

BOX CONTENTS

- Spektrum™ DX3™ 2.4GHz Transmitter (SPM2340)
- SCX10™ III Early Ford Bronco RTR
 - 35T Electric Motor (AX31312)
 - Spektrum Receiver/ESC Combo (SPMXSE1040RX)
 - Water Proof Metal Gear Surface Servo, 23T (SPMS614)
 - SX107 Micro Analog Metal Gear Surface Servo (For dig function) (SPMSSX107)

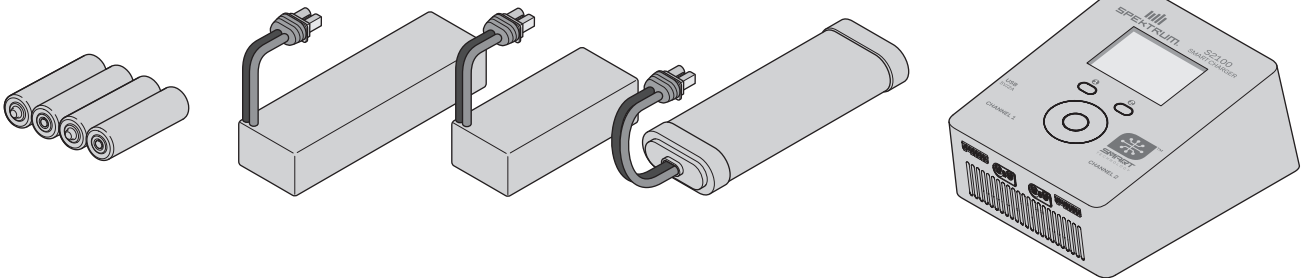


• Parts Bag

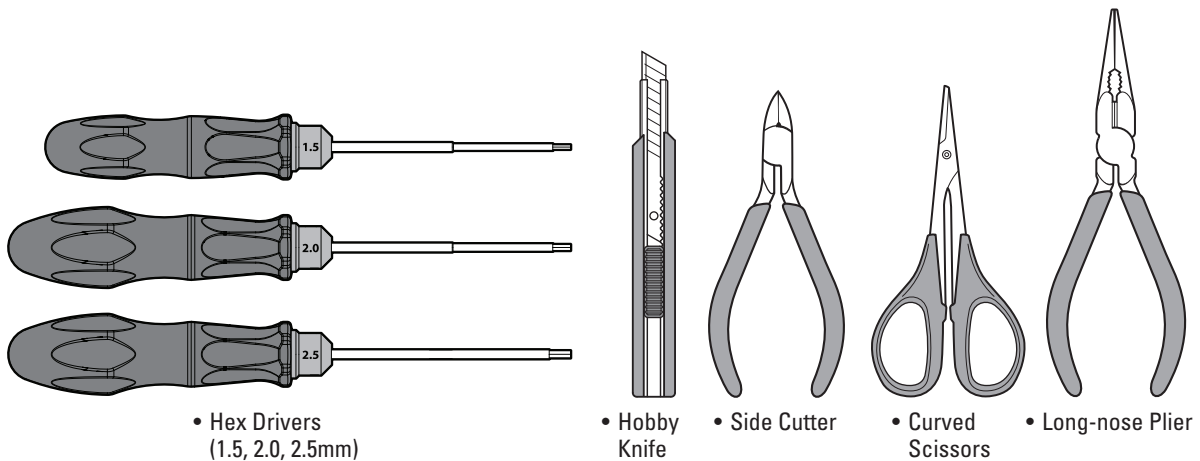
• Cross Wrench

REQUIRED EQUIPMENT

- (4) AA Alkaline batteries
 - 2-3S Standard or "Shorty" LiPo Battery
 - Battery charger compatible with the chosen vehicle battery type
- OR**
- 5-9 Cell NiMH/NiCd battery (IC3® Connector Required)



RECOMMENDED TOOLS



• Hex Drivers (1.5, 2.0, 2.5mm)

• Hobby Knife

• Side Cutter

• Curved Scissors

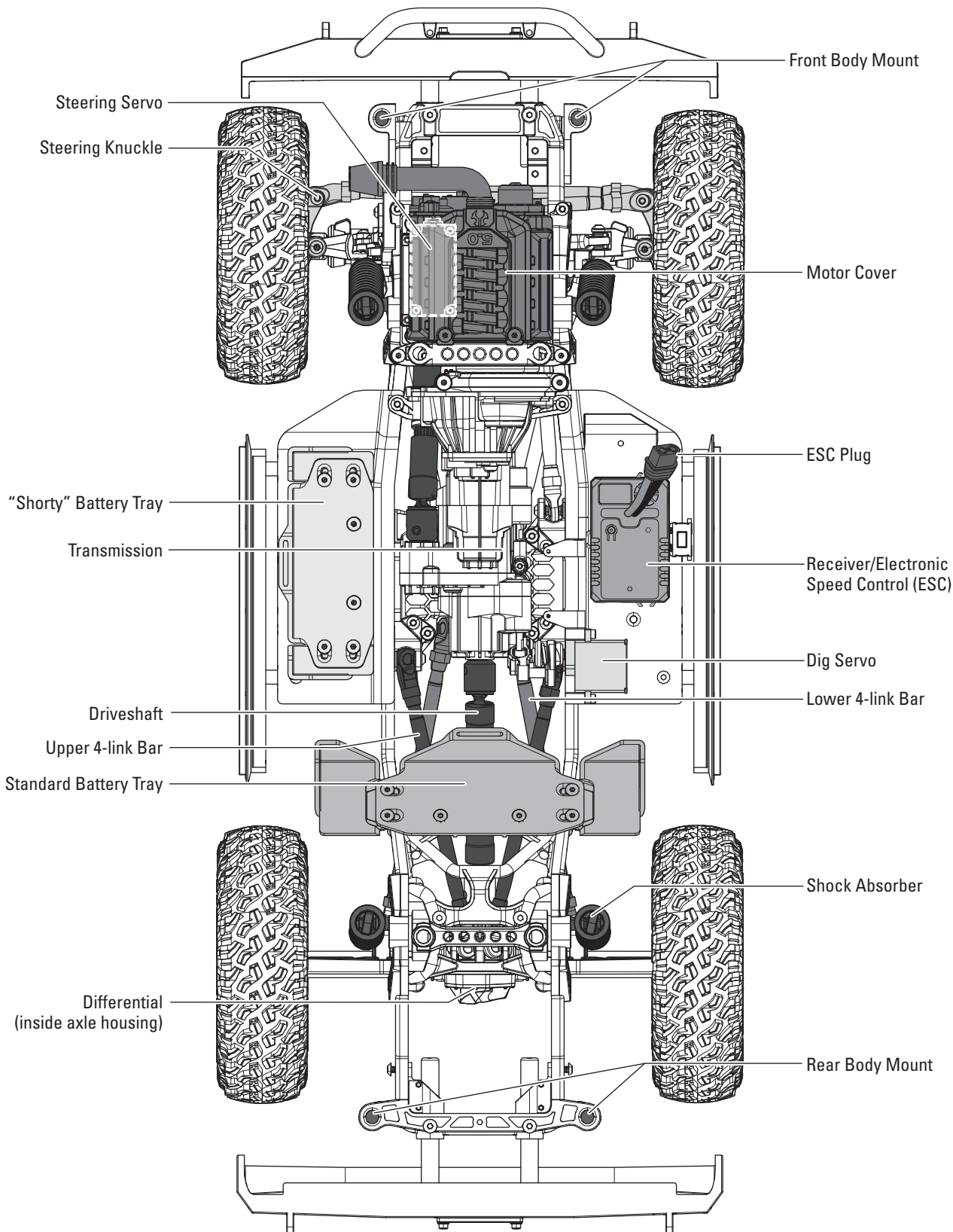
• Long-nose Plier

GETTING STARTED CHECKLIST

| |
|---|
| Read the manual |
| Familiarize yourself with the vehicle and its components |
| Check all screws, especially the driveshaft setscrews, for tightness from the factory |
| Charge the vehicle battery |
| Install 4 AA batteries in the transmitter |

| |
|--|
| Power on the transmitter |
| Install the vehicle battery in the vehicle |
| Check for proper function of the throttle and steering |
| Range check the radio system |
| Drive the vehicle, challenge yourself and have FUN! |
| Perform any necessary vehicle maintenance |

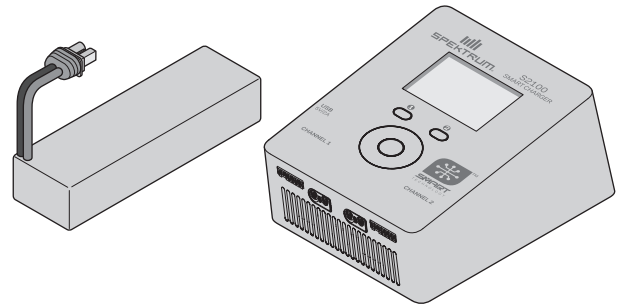
VEHICLE PARTS



CHARGE THE VEHICLE BATTERY

Follow the manufacturer's directions for your charger to properly charge the vehicle battery.

CAUTION: Only use chargers designed to charge the chosen battery type. Using an incorrect charger or incorrect charger settings could cause the battery to catch fire or explode.



INSTALL THE TRANSMITTER BATTERIES

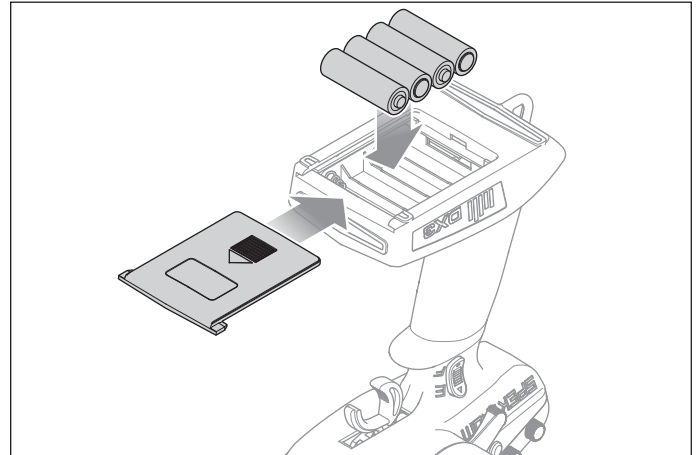
This transmitter requires 4 AA batteries.

1. Remove the battery cover from the transmitter.
2. Install the batteries as shown.
3. Install the battery cover.

CAUTION: NEVER remove the transmitter batteries while the model is powered on. Loss of model control, damage, or injury may occur.

CAUTION: If using rechargeable batteries, charge only rechargeable batteries. Charging non-rechargeable batteries may cause the batteries to burst, resulting in injury to persons and/or damage to property.

CAUTION: Risk of explosion if battery is replaced by an incorrect type. Dispose of used batteries according to national regulations.



TRANSMITTER FUNCTIONS

A/B. Channel 3 Button (Dig Function)

C. Throttle/Brake

D. Steering Wheel

E. Steering Rate

Adjusts the end point of the steering

F. Brake Rate

Adjusts the braking end point.

G. Steering Trim

Adjusts the steering center point. Normally, the steering trim is adjusted until the vehicle tracks straight.

H. Throttle Trim

Adjusts the throttle neutral point

I. SMART Battery Level Indicator

J. Servo Reversing

To reverse the Throttle (TH) or Steering (ST) channel, switch the position of the correlating switch—"N" is for normal, "R" is for reverse.

K. Throttle Limit

Limits throttle output to 50/75/100%

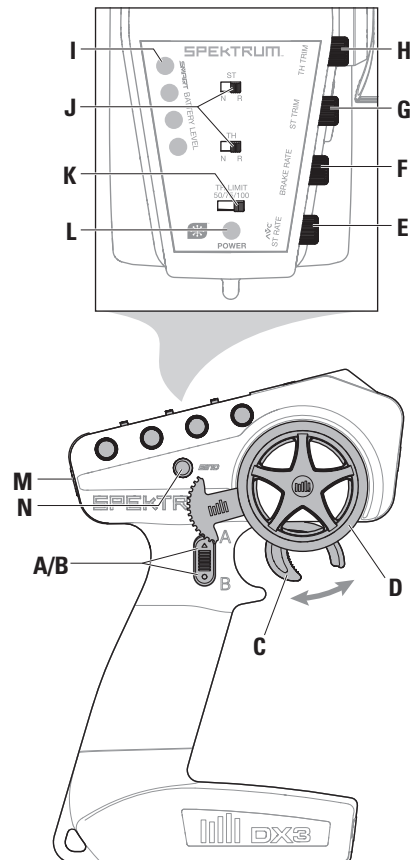
Select 50% or 75% for less experienced drivers or when you are driving the vehicle in a small area.

L. Power LED

- **Solid red lights:** Indicates radio connectivity and adequate battery power
- **Flashing red lights:** Indicates the battery voltage is critically low. Replace batteries

M. Power Button

N. Bind Button

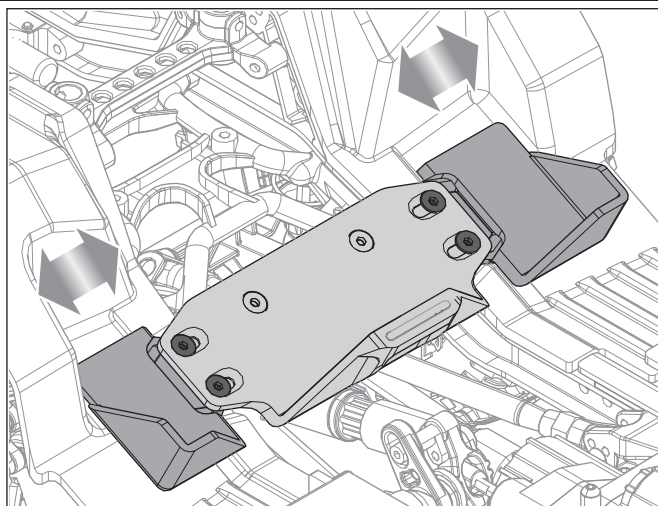


ADJUSTING THE VEHICLE BATTERY TRAY

The battery trays may be adjusted to fit a wide range of battery sizes. The rear battery tray is shown in the illustration. The side battery tray is adjustable in the same manner.

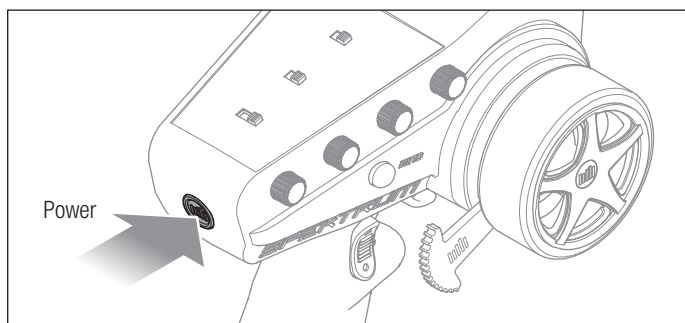
To adjust the battery tray:

1. Loosen the four flathead screws shown in the illustration.
2. Slide the ends of the battery tray in or out to fit the desired battery.
3. Tighten the four flathead screws. Do not over-tighten the screws.



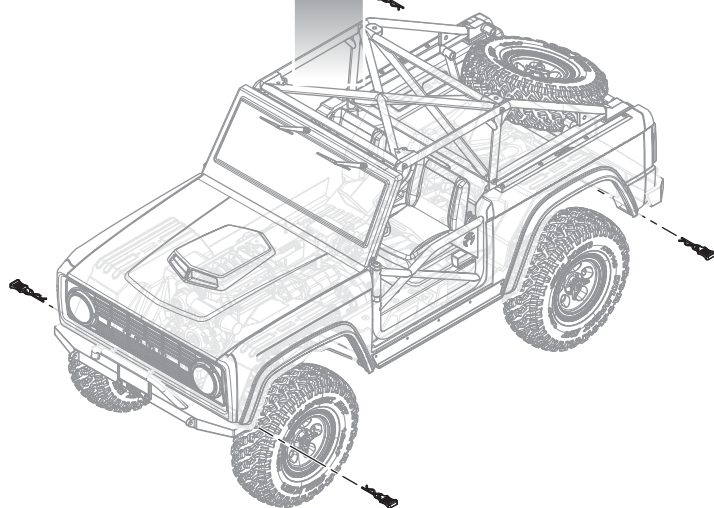
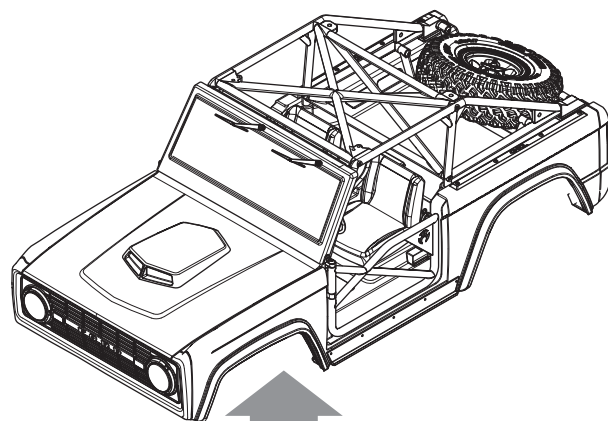
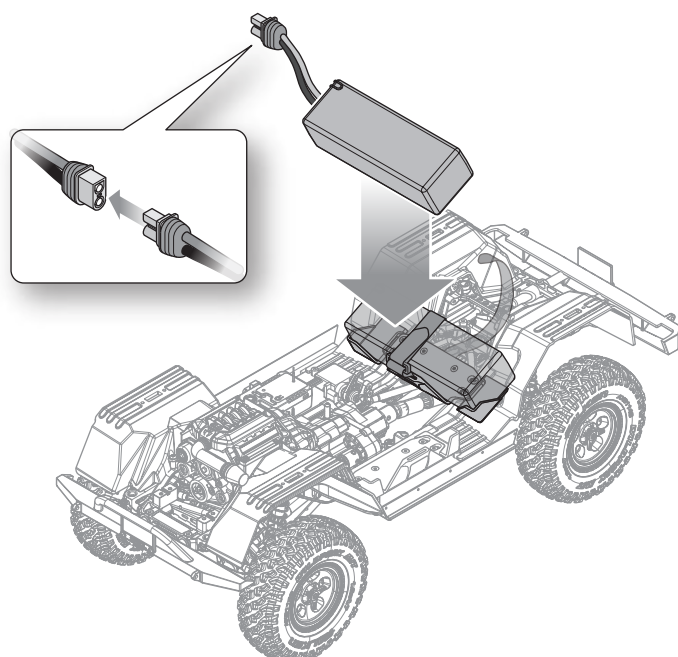
INSTALL THE VEHICLE BATTERY

The following steps show the installation of a standard size battery in the rear battery tray of the vehicle. If you wish to use a "shorty" style battery, it should be installed in the side battery tray location.



1. Power on the transmitter.

2. Remove the four body clips from under the body.
3. Lift the body from the chassis.
4. Place the battery in the battery tray. The battery tray length may be adjusted to fit the battery as described in the previous section.



5. Secure the battery to the tray with the hook and loop strap.
6. Connect the battery to the ESC.
7. Power on the receiver/ESC.
8. Re-install the body and four body clips to the chassis.

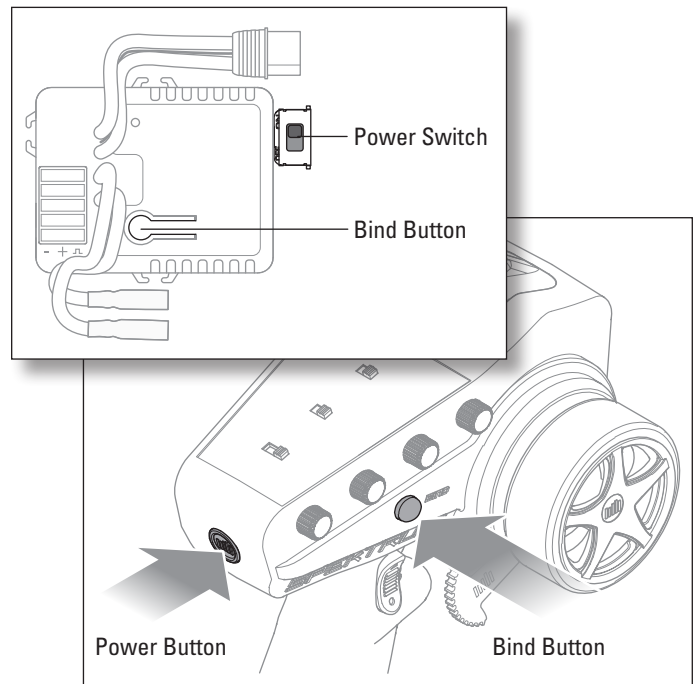
NOTICE: Always power off the ESC and disconnect the battery from the ESC before powering off the transmitter. Loss of vehicle control may result.

BINDING

Binding is the process of programming the receiver to recognize the GUID (Globally Unique Identifier) code of a single specific transmitter. The transmitter and receiver are bound at the factory. If you need to rebind, follow the instructions below.

1. Connect a fully charged battery pack to the ESC/receiver.
2. Disconnect the "Dig" servo lead from the receiver.
3. Press and hold the bind button on the receiver.
4. Power ON the receiver. The red LED flashes, indicating the receiver is in bind mode. Release the bind button after the red LED begins to flash. The motor will make continuous descending tones until binding is complete.
5. With the throttle trigger at neutral, press and hold the transmitter bind button while powering on to put the transmitter in bind mode. The throttle should be at neutral to set failsafe.
6. The bind process is complete when the green LED on the receiver remains lit.
7. Connect the "Dig" servo lead to the receiver.

You must rebind when different failsafe positions are needed e.g., when throttle or steering reversing has been changed.



RANGE-CHECKING THE RADIO SYSTEM

The radio system should be checked before operating the vehicle to ensure proper operation and adequate range.

1. Turn on the transmitter.
2. Connect the battery in the vehicle.
3. Have a friend hold the vehicle while keeping hands and loose clothing away from moving parts.
4. Walk away until you are at the maximum planned operating distance from the vehicle.
5. Turn the steering wheel side to side and operate the throttle, both forward and reverse, checking for any erratic behavior.
6. If any erratic behavior is exhibited, DO NOT operate the vehicle. Call customer service for assistance.



USING THE DIG TRANSMISSION

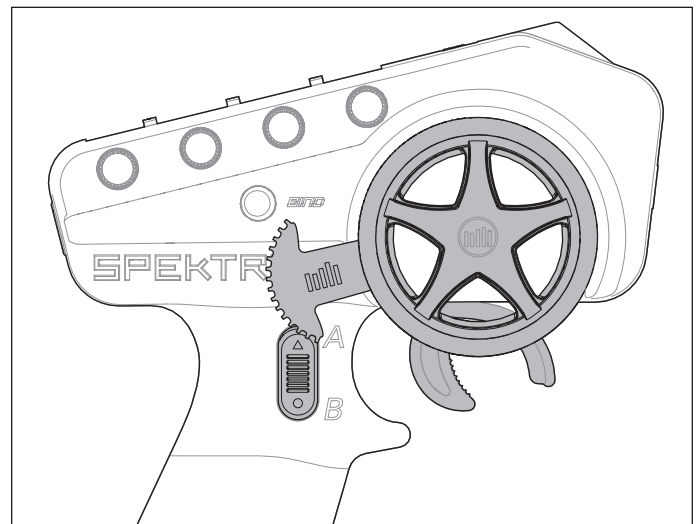
The vehicle includes a "Dig" transmission which allows the rear axle to lock while still allowing the front wheels to spin. Use this feature in close quarters to turn the vehicle tighter than is possible with normal 4 wheel drive or to preload the suspension when needed.

To use the Dig function:

1. Press and hold the channel 3 B button on the transmitter. The Dig function engages, locking the rear axle. Hold the B button as long as you want the dig function to be engaged.
2. Advance the throttle and turn the steering wheel left or right to tightly pivot the vehicle around.
3. Release the channel 3 B button to disengage the Dig function.

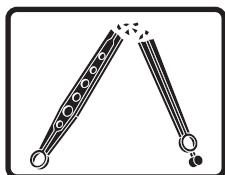
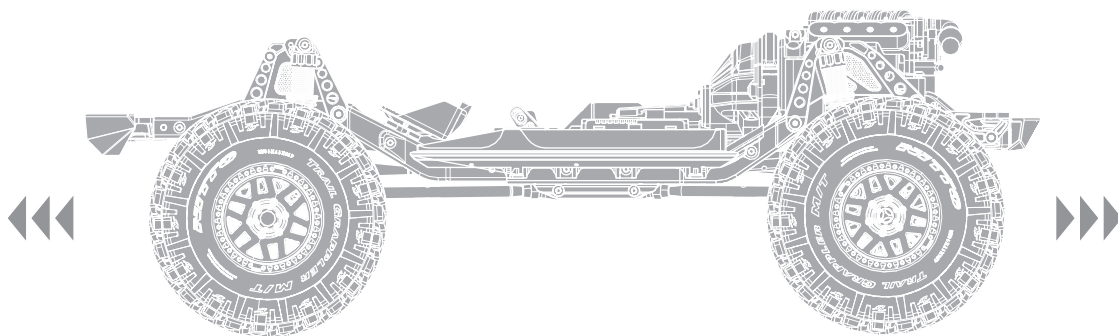
TIP: Reversing slightly may be required to disengage the Dig function.

If necessary, refer to the DX3 manual to adjust the endpoints of the Dig function.

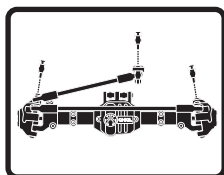


VEHICLE MAINTENANCE

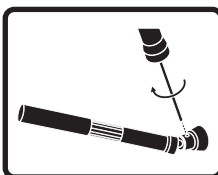
Just like a full size car or truck your RC vehicle must undergo periodic maintenance in order to ensure peak performance. Preventative maintenance will also help avoid needless breakages which could result in costly repairs. Below are some suggestions to properly maintain your vehicle.



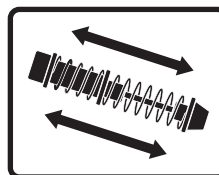
Replace any noticeable bent or broken parts



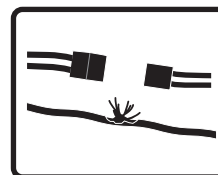
Check for wear on the ball joints in the steering and suspension links (replace if necessary)



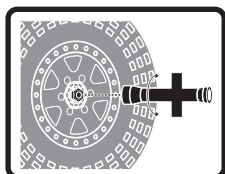
Check driveshaft set screws and apply thread locking compound if necessary



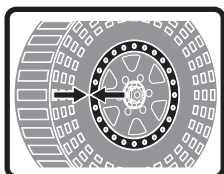
Inspect shock absorbers for smooth dampened operation



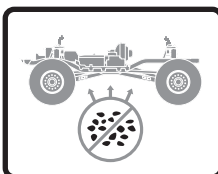
Check for any loose connections or frayed wiring



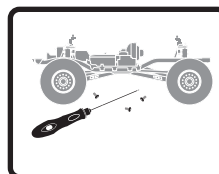
Check the wheel nuts for tightness



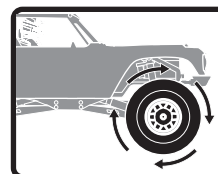
Ensure the wheel beads are still firmly bonded around the entire circumference of the rim



Keep the chassis free of dirt and debris



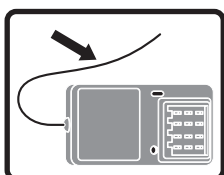
Check for loose screws on the chassis, especially the knuckle, C-hub and axle lockout screws



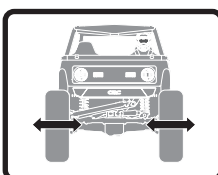
Check the driveline for smooth, bind free operation



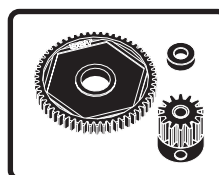
If applicable, check the slipper clutch for proper operation



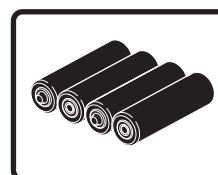
Check the receiver antenna for damage



Check the steering operation for any binding



Inspect the spur and pinion gears for damage



Replace the transmitter batteries when indicated by the transmitter, as described in the Transmitter Functions section

SPEKTRUM RECEIVER/ESC COMBO

OPERATION

1. Power on the transmitter.
2. Power on the receiver.
3. The green LED on the receiver will be illuminated when it is connected to your transmitter.
4. Disconnect the battery from the ESC/Receiver after operation.

FAILSAFE

In the unlikely event that the radio link is lost during use, the 2-in-1 will drive the throttle channel to the neutral (throttle off) position. If the 2-in-1 is powered on prior to turning on the transmitter, it will enter failsafe mode, leaving throttle off. When the transmitter is turned on, normal control will resume.

LED INDICATORS

Upon powering ON the ESC, the red LED will blink and the motor will emit a series of beeps to indicate its status. The number of tones indicates (1) the ESC is in operation (2) the battery mode detected and (3) the ESC is in a ready-to-use state.

| FEATURE | RED LED STATUS | MOTOR SOUND |
|-------------------------------------|--|--|
| ESC Is In Operation | Rapid Blinking | 4 Changing Tones |
| Ni-MH/Ni-CD Battery | 1 Blink | 1 Short Tone |
| 2S Li-Po Battery | 2 Blinks | 2 Short Beeps |
| 3S Li-Po Battery | 3 Blinks | 3 Short Beeps |
| ESC Ready, No Transmitter Signal | 2 Short Blinks, Red Blink Repeating | 2 Ascending Tones, Descending Tones Repeating |

| OPERATION | LED STATUS |
|----------------------------------|-----------------------------|
| Forward | |
| Partial Throttle | Green Solid, Red Blinks |
| Full Throttle | Green and Red Solid |
| Reverse | |
| Partial Throttle | Green Solid, Red Blinks |
| Full Throttle | Green and Red Solid |
| Brake | |
| Partial | Green Solid, Red Blinks |
| Full | Green and Red Solid |
| Stop | Green Solid |
| Battery Low Voltage or No Signal | Red Blinks |
| Overheat | Green Blinks |
| Over Current Protection | Green and Red Triple Blinks |

SPECIFICATIONS

| | |
|-------------------------|--|
| Type | Waterproof DSMR ESC/Receiver 2-in-1 with SMART Telemetry |
| Dimensions (L x W x H) | 54mm x 33.5mm x 20.5mm |
| Antenna Length | 31mm |
| Channels | 4 (No Throttle Servo Output) |
| Weight | 68g |
| Band | 2404 MHz – 2476 MHz |
| Servo Output Voltage | 6V up to 3A, Shared with Auxillary Light Connectors |
| Telemetry Features | Battery Voltage, Current, ESC Temp, Battery Data (with SMART Battery) |
| Battery Input Connector | IC3® (EC3™ Compatible) |
| Voltage Range | 2–3S Li-Po*/5–9S NiMH |
| Max Current | 40A Continuous/ 180A Burst |
| Motor Connectors | 3.5mm Bullet |

*Default setting for low voltage cutoff is Li-Po. Optional Dynamite Program Card (DYNS3005) required to change the Battery Type Setting.

ESC AND TRANSMITTER CALIBRATION

The included transmitter and ESC/receiver combo automatically calibrate when powered on. Follow the procedure below to ensure accurate calibration between the transmitter and ESC/receiver.

1. Connect a fully charged battery to the ESC/receiver. Ensure the power switch is in the OFF position.
2. Power the transmitter ON. Ensure the throttle is not reversed, the throttle trim is neutral and the throttle travel range is at 100%.
3. With the throttle at neutral, power ON the ESC/receiver.
4. Leave the throttle trigger and trims at neutral for at least 3 seconds. The ESC/Receiver automatically calibrates the throttle range after 3 seconds.
5. The LED will blink and the motor will beep to indicate the battery mode selection.
6. One long LED blink and one long beep indicates the ESC is ready to run.

GEAR RATIOS

SPUR/PINION GEAR RATIO CHART - LCX TRANSMISSION

| | 12 | 13 | 14 | 15 | 16 | 17 | 18 |
|-----------------------|------|------|------|------|------|------|------|
| Low Speed (standard) | 58.1 | 49.2 | 45.6 | 42.6 | 39.4 | 37.6 | 35.5 |
| High Speed (optional) | 39.8 | 36.5 | 31.3 | 29.2 | 27.3 | 25.7 | 24.3 |

TROUBLESHOOTING

| PROBLEM | POSSIBLE CAUSE | SOLUTION |
|--|--|---|
| The system will not connect | Your transmitter and receiver are too close together | Move transmitter 8 to 12 feet away from receiver |
| | You are near metal objects | Move to an area with less metal |
| | The receiver is bound to a different model memory | Make sure the correct model memory is active in your transmitter |
| | Your transmitter was placed into bind mode and is no longer bound to your receiver | Rebind your transmitter and receiver, and then re-calibrate |
| The receiver goes into failsafe a short distance away from the transmitter | Check for damage on the receiver antenna | Make sure your receiver antenna is protected and located as high as practical |
| | | Replace the receiver or contact Horizon Product Support |
| The receiver stops responding during operation | Low receiver battery voltage. If the battery voltage is low, it may drop below 3.5V momentarily, causing the receiver to brown-out, then reconnect | Charge the receiver or vehicle battery. Spektrum receivers require at least 3.5V to operate |
| | Loose or damaged wires or connectors between battery and receiver | Check the wires and connection between the battery and receiver. Repair or replace wires and/or connectors |
| Vehicle does not move | Batteries are not installed properly in the transmitter | Ensure the transmitter batteries are properly installed |
| | Weak or no battery in the vehicle | Install a freshly charged vehicle battery |
| | Damaged motor | Replace the motor |
| | Frayed or broken wiring | Replace any damaged wiring |
| Loss of vehicle control | ESC is shut down by heat protection circuit | Allow the ESC to cool down completely |
| | Improper antenna placement | Ensure the transmitter antenna is not blocked and the receiver antenna is located properly |
| | Weak or no batteries in the transmitter or vehicle | Install a freshly charged vehicle battery and new transmitter batteries |
| | Neutral or trim position is incorrect | Adjust the steering trim |
| Steering and/or throttle function is reversed | Receiver and/or battery not connected properly | Check all receiver and battery connections |
| | Servo travel is reversed at the transmitter | Set the transmitter servo reversing switch to the correct position |
| ESC ON - No motor function, audible tone or LED | Motor wires are not connected properly | Check all motor wires for correct polarity and secure connection |
| | Battery/connection issue | Recharge/replace battery. Secure all connections |
| | Damaged ESC/switch | Repair/replace ESC switch/ESC |
| Motor- Stops and LED blinks | Damaged motor | Repair/replace |
| | Low voltage protection | When the ESC LED blinks, recharge/replace battery |
| Motor- Accelerates irregularly | Overheat protection | When the LED blinks, let motor/ESC cool, change set up or gearing to avoid overheating |
| | Battery issue | Repair damaged wiring/replace battery |
| Motor- Does not turn continuously in response to throttle | Incorrect gearing | Adjust/replace gearing |
| | Worn or damaged motor | Repair/replace motor |
| Motor- Slows but will not stop | ESC/motor damaged | Repair/replace wiring or motor/ESC |
| Steering servo- Operates; motor does not run | Incorrect transmitter/ESC calibration | Adjust throttle travel/other throttle settings on the transmitter/ESC. Repeat the ESC Calibration Procedure |
| | Damaged motor | Test the motor apart from the vehicle system, repair/replace motor as needed |
| Steering/motor- not functioning | Incorrect transmitter/ESC calibration | Adjust throttle travel/other throttle settings on the transmitter/ESC. Repeat the ESC Calibration Procedure |
| | Low battery voltage | Recharge/replace |
| | Wrong model memory selected on transmitter | Select correct model settings on your transmitter, refer to transmitter and/or receiver manual |
| Vehicle- Does not operate at full speed | Receiver not bound to transmitter | Bind transmitter to receiver, refer to transmitter and/or receiver manual |
| | Battery issue | Recharge/replace |
| | Incorrect transmitter/ESC calibration | Adjust throttle travel/other throttle settings on the transmitter/ESC. Repeat the ESC Calibration Procedure |

LIMITED WARRANTY

What this Warranty Covers

Horizon Hobby, LLC, (Horizon) warrants to the original purchaser that the product purchased (the "Product") will be free from defects in materials and workmanship for a period of 2 years from the date of purchase.

What is Not Covered

This warranty is not transferable and does not cover (i) cosmetic damage, (ii) damage due to acts of God, accident, misuse, abuse, negligence, commercial use, or due to improper use, installation, operation or maintenance, (iii) modification of or to any part of the Product, (iv) attempted service by anyone other than a Horizon Hobby authorized service center, (v) Product not purchased from an authorized Horizon dealer, or (vi) Product not compliant with applicable technical regulations or (vii) use that violates any applicable laws, rules, or regulations.

OTHER THAN THE EXPRESS WARRANTY ABOVE, HORIZON MAKES NO OTHER WARRANTY OR REPRESENTATION, AND HEREBY DISCLAIMS ANY AND ALL IMPLIED WARRANTIES, INCLUDING, WITHOUT LIMITATION, THE IMPLIED WARRANTIES OF NON-INFRINGEMENT, MERCHANTABILITY AND FITNESS FOR A PARTICULAR PURPOSE. THE PURCHASER ACKNOWLEDGES THAT THEY ALONE HAVE DETERMINED THAT THE PRODUCT WILL SUITABLY MEET THE REQUIREMENTS OF THE PURCHASER'S INTENDED USE.

Purchaser's Remedy

Horizon's sole obligation and purchaser's sole and exclusive remedy shall be that Horizon will, at its option, either (i) service, or (ii) replace, any Product determined by Horizon to be defective. Horizon reserves the right to inspect any and all Product(s) involved in a warranty claim. Service or replacement decisions are at the sole discretion of Horizon. Proof of purchase is required for all warranty claims. SERVICE OR REPLACEMENT AS PROVIDED UNDER THIS WARRANTY IS THE PURCHASER'S SOLE AND EXCLUSIVE REMEDY.

Limitation of Liability

HORIZON SHALL NOT BE LIABLE FOR SPECIAL, INDIRECT, INCIDENTAL OR CONSEQUENTIAL DAMAGES, LOSS OF PROFITS OR PRODUCTION OR COMMERCIAL LOSS IN ANY WAY, REGARDLESS OF WHETHER SUCH CLAIM IS BASED IN CONTRACT, WARRANTY, TORT, NEGLIGENCE, STRICT LIABILITY OR ANY OTHER THEORY OF LIABILITY, EVEN IF HORIZON HAS BEEN ADVISED OF THE POSSIBILITY OF SUCH DAMAGES. Further, in no event shall the liability of Horizon exceed the individual price of the Product on which liability is asserted. As Horizon has no control over use, setup, final assembly, modification or misuse, no liability shall be assumed nor accepted for any resulting damage or injury. By the act of use, setup or assembly, the user accepts all resulting liability. If you as the purchaser or user are not prepared to accept the liability associated with the use of the Product, purchaser is advised to return the Product immediately in new and unused condition to the place of purchase.

Law

These terms are governed by Illinois law (without regard to conflict of law principals). This warranty gives you specific legal rights, and you may also have other rights which vary from state to state. Horizon reserves the right to change or modify this warranty at any time without notice.

WARRANTY SERVICES

Questions, Assistance, and Services

Your local hobby store and/or place of purchase cannot provide warranty support or service. Once assembly, setup or use of the Product has been started, you must contact your local distributor or Horizon directly. This will enable Horizon to better answer your questions and service you in the event that you may need any assistance. For questions

or assistance, please visit our website at www.horizonhobby.com, submit a Product Support Inquiry, or call the toll free telephone number referenced in the Warranty and Service Contact Information section to speak with a Product Support representative.

Inspection or Services

If this Product needs to be inspected or serviced and is compliant in the country you live and use the Product in, please use the Horizon Online Service Request submission process found on our website or call Horizon to obtain a Return Merchandise Authorization (RMA) number. Pack the Product securely using a shipping carton. Please note that original boxes may be included, but are not designed to withstand the rigors of shipping without additional protection. Ship via a carrier that provides tracking and insurance for lost or damaged parcels, as Horizon is not responsible for merchandise until it arrives and is accepted at our facility. An Online Service Request is available at http://www.horizonhobby.com/content/service-center_render-service-center. If you do not have internet access, please contact Horizon Product Support to obtain a RMA number along with instructions for submitting your product for service. When calling Horizon, you will be asked to provide your complete name, street address, email address and phone number where you can be reached during business hours. When sending product into Horizon, please include your RMA number, a list of the included items, and a brief summary of the problem. A copy of your original sales receipt must be included for warranty consideration. Be sure your name, address, and RMA number are clearly written on the outside of the shipping carton.

NOTICE: Do not ship Li-Po batteries to Horizon. If you have any issue with a Li-Po battery, please contact the appropriate Horizon Product Support office.

Warranty Requirements

For Warranty consideration, you must include your original sales receipt verifying the proof-of-purchase date. Provided warranty conditions have been met, your Product will be serviced or replaced free of charge. Service or replacement decisions are at the sole discretion of Horizon.

Non-Warranty Service

Should your service not be covered by warranty, service will be completed and payment will be required without notification or estimate of the expense unless the expense exceeds 50% of the retail purchase cost. By submitting the item for service you are agreeing to payment of the service without notification. Service estimates are available upon request. You must include this request with your item submitted for service. Non-warranty service estimates will be billed a minimum of 1/2 hour of labor. In addition you will be billed for return freight. Horizon accepts money orders and cashier's checks, as well as Visa, MasterCard, American Express, and Discover cards. By submitting any item to Horizon for service, you are agreeing to Horizon's Terms and Conditions found on our website http://www.horizonhobby.com/content/service-center_render-service-center.

ATTENTION: Horizon service is limited to Product compliant in the country of use and ownership. If received, a non-compliant Product will not be serviced. Further, the sender will be responsible for arranging return shipment of the un-serviced Product, through a carrier of the sender's choice and at the sender's expense. Horizon will hold non-compliant Product for a period of 60 days from notification, after which it will be discarded.

10/15

WARRANTY AND SERVICE CONTACT INFORMATION

| COUNTRY OF PURCHASE | HORIZON HOBBY | CONTACT INFORMATION | ADDRESS |
|--------------------------|---|--|---|
| United States of America | Horizon Service Center (Repairs and Repair Requests) | servicecenter.horizonhobby.com/RequestForm/ | 2904 Research Rd Champaign, IL 61822 |
| | Horizon Product Support (Product Technical Assistance) | productsupport@horizonhobby.com 877-504-0233 | |
| | Sales | websales@horizonhobby.com 800-338-4639 | |
| European Union | Horizon Technischer Service Sales: Horizon Hobby GmbH | service@horizonhobby.eu +49 (0) 4121 2655 100 | Hanskampring 9 D 22885 Barsbüttel, Germany |

FCC INFORMATION

Contains FCC ID: BRWKATY1T

Contains FCC ID: BRWWACO1T

This equipment complies with FCC and IC radiation exposure limits set forth for an uncontrolled environment. This equipment should be installed and operated with minimum distance 20cm between the radiator and/or antenna and your body (excluding fingers, hands, wrists, ankles and feet). This transmitter must not be co-located or operating in conjunction with any other antenna or transmitter.

SUPPLIER'S DECLARATION OF CONFORMITY

Axial SCX10 III Early Ford Bronco (AXI03014)

FC This device complies with part 15 of the FCC Rules. Operation is subject to the following two conditions: (1) This device may not cause harmful interference, and (2) this device must accept any interference received, including interference that may cause undesired operation.

CAUTION: changes or modifications not expressly approved by the party responsible for compliance could void the user's authority to operate the equipment.

NOTE: This equipment has been tested and found to comply with the limits for a Class B digital device, pursuant to part 15 of the FCC Rules.

These limits are designed to provide reasonable protection against harmful interference in a residential installation. This equipment generates, uses and can radiate radio frequency energy and, if not installed and used in accordance with the instructions, may cause harmful interference to radio communications. However, there is no guarantee that interference will not occur in a particular installation. If this equipment does cause harmful interference to radio or television reception, which can be determined by turning the equipment off and on, the user is encouraged to try to correct the interference by one or more of the following measures:

- Reorient or relocate the receiving antenna.
- Increase the separation between the equipment and receiver.
- Connect the equipment into an outlet on a circuit different from that to which the receiver is connected.
- Consult the dealer or an experienced radio/TV technician for help.

Horizon Hobby, LLC
2904 Research Rd.,
Champaign, IL 61822
Email: compliance@horizonhobby.com
Web: HorizonHobby.com

IC INFORMATION

CAN ICES-3 (B)/NMB-3(B)

Contains IC: 6157A-KATY1T

Contains IC: 6157A-WACO1T

This device contains license-exempt transmitter(s)/receivers(s) that comply with Innovation, Science, and Economic Development Canada's license-exempt RSS(s). Operation is subject to the following 2 conditions:

1. This device may not cause interference.
2. This device must accept any interference, including interference that may cause undesired operation of the device.

COMPLIANCE INFORMATION FOR THE EUROPEAN UNION

EU COMPLIANCE STATEMENT:

Axial SCX10 III Early Ford Bronco (AXI03014)

Hereby, Horizon Hobby, LLC declares that the device is in compliance with the following: EU Radio Equipment Directive 2014/53/EU; RoHS 2 Directive 2011/65/EU; RoHS 3 Directive - Amending 2011/65/EU Annex II 2015/863.

The full text of the EU declaration of conformity is available at the following internet address: <https://www.horizonhobby.com/content/support-render-compliance>.

Wireless Frequency Range and Wireless Output Power

Transmitter

2402.0 - 2478.0 MHz
17.7 dBm

Receiver

2402-2478 MHz
3 dBm

EU Manufacturer of Record:

Horizon Hobby, LLC
2904 Research Road
Champaign, IL 61822 USA

EU Importer of Record:

Horizon Hobby, GmbH
Hanskampring 9
22885 Barsbüttel Germany

WEEE NOTICE:



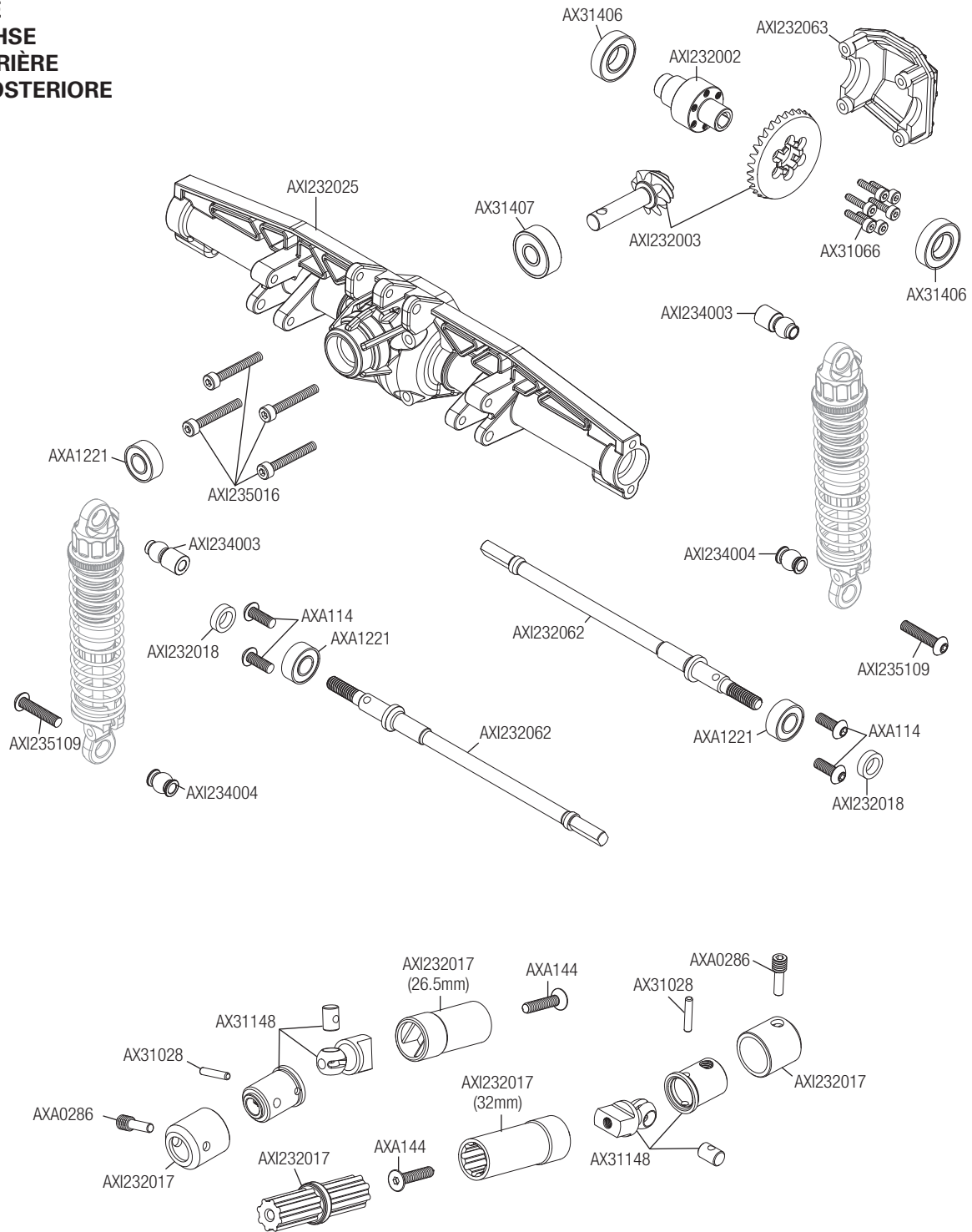
This appliance is labeled in accordance with European Directive 2012/19/EU concerning waste of electrical and electronic equipment (WEEE). This label indicates that this product should not be disposed of with household waste. It should be deposited at an appropriate facility to enable recovery and recycling.



E328

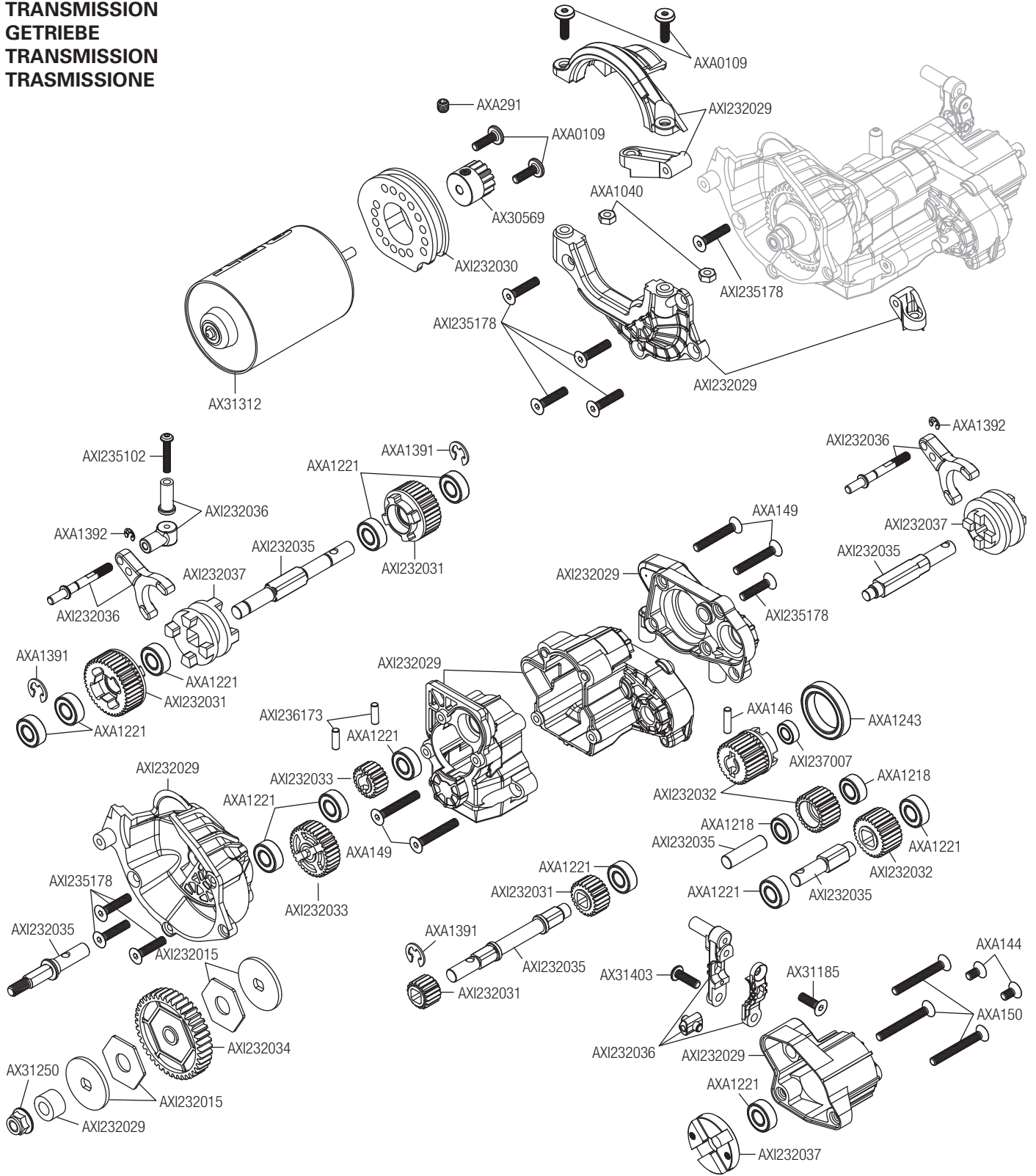
EXPLODED VIEWS // EXPLOSIONSZEICHNUNGEN // VUES ÉCLATÉES // VISTE ESPLOSE

**REAR AXLE
HINTERACHSE
ESSIEU ARRIÈRE
ASSALE POSTERIORE**



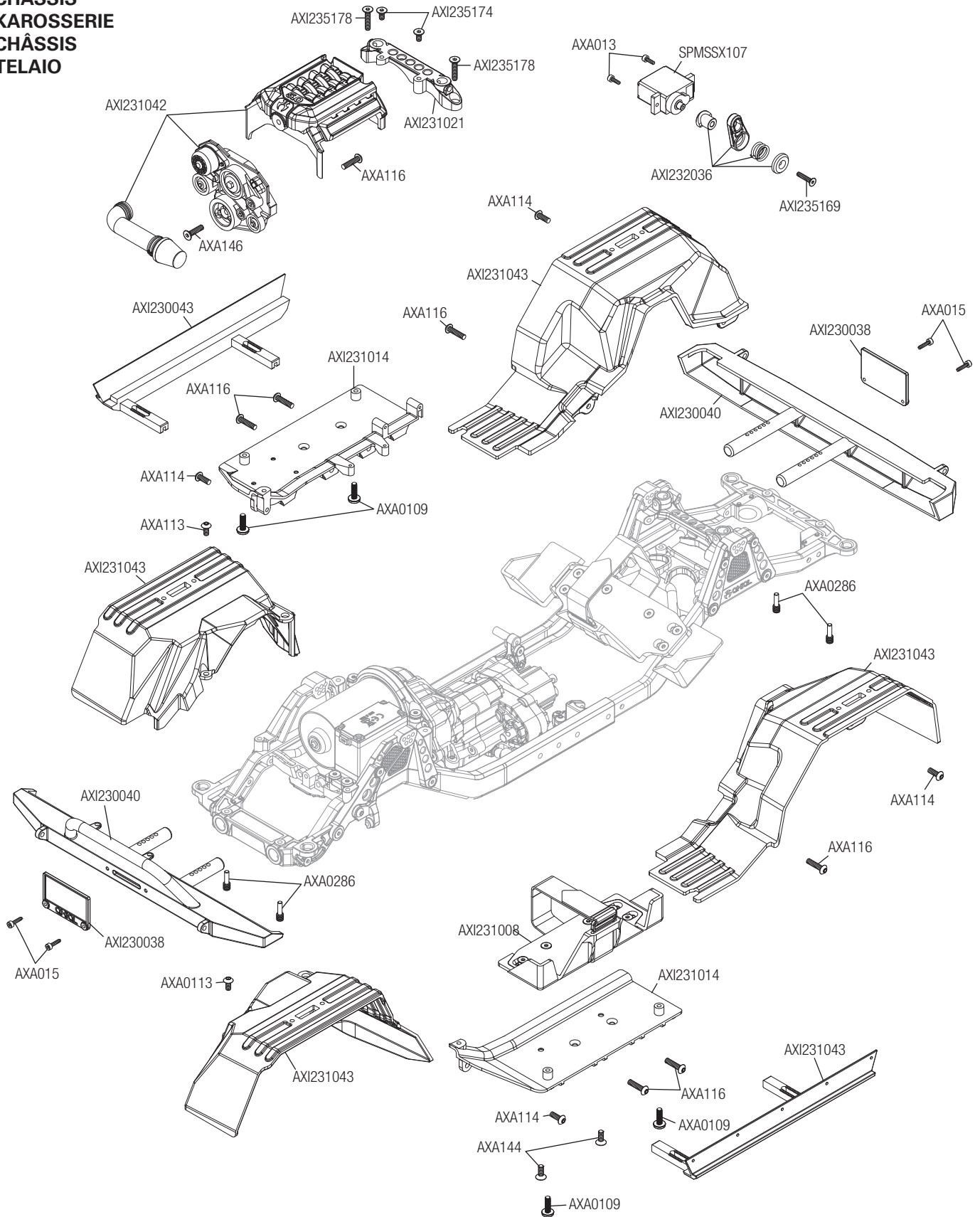
EXPLODED VIEWS // EXPLOSIONSZEICHNUNGEN // VUES ÉCLATÉES // VISTE ESPLOSE

**TRANSMISSION
GETRIEBE
TRANSMISSION
TRASMISSIONE**



EXPLODED VIEWS // EXPLOSIONSZEICHNUNGEN // VUES ÉCLATÉES // VISTE ESPLOSE

**CHASSIS
KAROSSERIE
CHÂSSIS
TELAIO**



PARTS LISTS // TEILELISTEN // LISTE DES PIÈCES // ELENCO COMPONENTI

| Part # | Description | Beschreibung | Description | Descrizione |
|-----------|--|---|--|--|
| ARAC9759 | AR722305 Flat Head Screw 3x5mm | Sechskant-Flachkopfschraube, M3 x 5mm | Douille à six pans à tête plate M3 x 5mm | Vite a testa piana esagonale M3 x 5mm |
| AXI230031 | SCX10 III LED LT Set Wht/Rd | SCX10-III LED-Leuchten (weiß, rot) | Ensemble de témoins DEL SCX10-III (blanc, rouge) | Set luci LED SCX10-III (bianco, rosso) |
| AXI230035 | Head/Tail Lense, EB: SCX10 III | Scheinwerfer- / Rücklichtobjektiv | Lentille de phare / feu arrière | Lente faro / fanale posteriore |
| AXI230036 | Doors/Tire Carrier, EB:SCX10 II | Türen / Reifenträger | Portes / porte-pneus | Porte / porta pneumatici |
| AXI230037 | Interior Details, EB: SCX10 III | Teile Innenraum | Détails de l'intérieur | Dettagli interni |
| AXI230038 | Exterior Details, EB: SCX10 III | Teile Außenausstattung Karosserie | Pièces de détails de carrosserie extérieurs | Dettagli carrozzeria esterna |
| AXI230039 | Roll Cage, EB: SCX10 III | Überrollkäfing-Satz | Ensemble de cage de retournement | Set scocca di sicurezza |
| AXI230040 | Bumpers Fr/Rr, EB: SCX10 III | Front- und Heckstoßstange | Pare-chocs avant et arrière | Paraurti anteriore e posteriore |
| AXI230041 | Fender Flares F/R, EB: SCX10 II | Kotflügel | Ailes | Parafanghi |
| AXI230042 | Body Details, EB: SCX10 III | Teile Karosserie | Détails de Carrosserie | Dettagli carrozzeria |
| AXI230043 | Rock Sliders, EB: SCX10 III | Rock Schieber | Courseurs de roche | Cursori di roccia |
| AXI231008 | Battery Tray Sets & Strap | Akkualterungsätze und Riemen | Ensembles de supports de batterie avec sangle | Fascette e set supporto batteria |
| AXI231009 | Upper Center Link Mounts | Obere mittige Gestängehalterungen | Supports pour tringlerie centrale supérieure | Supporti braccetti centrali superiori |
| AXI231010 | Center Transmission Skid Plate | Mittiges Getriebe-Gleitbrett | Plaque de protection pour transmission centrale | Piastra proteggi trasmissione centrale |
| AXI231011 | Steering Mount Chassis Brace | Lenkhalterung Karosseriestrebe | Support de châssis de direction | Sostegno telaio supporto sterzo |
| AXI231012 | Servo Horn, Metal 23T | Servohorn, Metall 23T | Renvoi de commande de servo, métal 23T | Squadretta servo, Metallo 23T |
| AXI231014 | Side Plates & Chassis Brace | Seitenplatten und Karosseriestrebe | Plaques latérales et support de châssis | Piastre laterali e sostegno telaio |
| AXI231015 | Frame Rail Set | Rahmenschienensatz | Ensemble de rails du cadre | Set guida telaio |
| AXI231016 | Bumper/Body Mounts Chassis FR/RR | Stoßstange/Gehäusehalterung Karosserie Front/Heck | Châssis avec supports de pare-chocs et de carrosserie AV/AR | Telaio supporti carrozzeria/ammortizzatore FR/RR |
| AXI231017 | Shktrws&Pnhrd Mnts Fr/RRSCX10III | Stoßdämpferbrücken und Panhard-Halterungen Front/Heck | Tours d'amortisseurs et supports Panhard AV/AR | Torre ammortizzatore e supporti Panhard FR/RR |
| AXI231018 | Receiver Box: SCX10III | Empfängerbox | Boîtier de récepteur | Scatola ricevitore |
| AXI231021 | Upper Shk Twr Braces: SCX10III | Obere Stoßdämpferbrückenstreben | Supports de tours d'amortisseurs supérieures | Sostegni torre ammortizzatore superiori |
| AXI231042 | Motor Cover 5.0 | Motorabdeckung | Couvercle du moteur | Carter motore |
| AXI231043 | Inner Fenders F/R, EB: SCX10 II | Innere Kotflügelbeschichtungen | Revêtements de l'aile interne | Rivestimenti parafango interno |
| AXI231046 | Panhard Mount, Metal: SCX10 III | Panhard-Halterungen | Supports Panhard | Supporti Panhard |
| AXI232002 | 6-Bolt Differential Locker | 6-Schrauben-Differenzial-Sicherung | Blocage différentiel à 6 boulons | Blocco differenziale 6 bulloni |
| AXI232003 | 6 Bolt Heavy Duty Gear Set | 6-Schrauben-Schwerlast-Zahnradatz | Ensemble d'engrenages haute résistance à 6 boulons | Set ingranaggio impieghi gravosi 6 bulloni |
| AXI232015 | Slipper Pads Plates: | Grabgetriebe-Gleitschuhe/-platten: UTB | Sabots de pistons/plaques de sabot de transmission dig : UTB | Piastre/pattini di scorrimento trasmissione dig: UTB |
| AXI232017 | Wild Boar Driveshaft Set: Capra | Wild Boar-Antriebswellensatz: UTB | Ensemble d'arbres de transmission Wild Boar : UTB | Set albero di trasmissione Wild Boar: UTB |
| AXI232018 | 12mm Hex Screw Shaft & Spacer (4): Capra | 12-mm-Sechskantstift und Abstandhalter (4): UTB | Broche hexagonale 12mm et entretoise (4) : UTB | Distanziale e perno esagonale 12mm (4): UTB |
| AXI232024 | AR45 Axl Hsng(Fr)SCX10III | AR45 Achsgehäuse, Front | AR45 Carter d'essieu avant | AR45 Allogg assale ant |
| AXI232025 | AR45 Axl Hsng (Rr)SCX10III | AR45 Achsgehäuse, Heck | AR45 Carter d'essieu arrière | AR45 Allogg assale post |
| AXI232029 | Transmission Housing Set | Getriebegehäusesatz | Ensemble de carter de transmission | Set alloggiamento trasmissione |
| AXI232030 | Motor Mount Plate: SCX10 III | Motorhalterungsplatte | Plaque de support du moteur | Piastra supporto motore |
| AXI232031 | Internal Metal Drive Gears | Interne Metall-Antriebszahnäder | Engrenages d'entraînement métalliques internes | Ingranaggi interni trasmissione in metallo |
| AXI232032 | Transfer Case Metal Gears | Transfergehäuse Metallgetriebe | Engrenages métalliques de boîte de transfert | Ingranaggi in metallo custodia di trasferimento |
| AXI232033 | Input Metal Gears 27T, 20T & 34T | Metallgetriebe Eingabe 27T, 20T und 34T | Engrenages métalliques d'entrée 27T, 20T et 34T | Ingranaggi in metallo ingresso 27T, 20T e 34T |
| AXI232035 | Transmission Shaft Set | Getriebewellensatz | Ensemble d'arbre de transmission | Set albero trasmissione |
| AXI232036 | Dig/2-Speed Arm & Shaft Set | Graben/2-Geschwindigkeit Arm- und Wellensatz | Ensemble de bras et arbre Dig/2 vitesses | Set albero e braccio dig/2 velocità |
| AXI232037 | Cog Set & Plate Dig/2-Speed | Zahnradatz und Platte Graben/2-Geschwindigkeit | Ensemble de pignons et plaque Dig/2 vitesses | Set denti e piastra dig/2 velocità |
| AXI232059 | AR45 C-Hub (L-R): SCX10 | AR45 C-Hub | AR45 Moyeu de support | AR45 Supporto mozzo |
| AXI232060 | AR45 Knuckle (L-R): SCX10 III | AR45 Lenkrolle | AR45 Rotule de direction | AR45 Fuso a snodo |
| AXI232061 | AR45 Unvrsl Axles (2): SCX10 II | AR45 Universalachsensatz | AR45 Ensemble d'essieux universels | AR45 Set assale univ |
| AXI232062 | AR45 Strght Axles (2): SCX10 II | AR45 Gerade Achse (2) | AR45 Essieu droit (2) | AR45 Assale dritto (2) |
| AXI232063 | AR45 Diff Covers: SCX10 IIII | AR45 Differentialabdeckung | AR45 Cache de différentiel | AR45 Carter diff |
| AXI233001 | Shock Shaft M3x53.4 (2pcs): UTB | Kolbenstange, M3x53.4 (2) | Bras d'amortisseur, M3x53.4 (2) | Asta amm, M3x53.4 (2) |
| AXI233002 | Shock Prts Molded; UTB | Stoßdämpferteile, gegossen: UTB | Pièces de l'amortisseur moulées : UTB | Parti ammortizzatore stampate: UTB |
| AXI233003 | Shock O-Ring Set: UTB | O-Ring-Satz für den Stoßdämpfer: UTB | Ensemble de joints toriques d'amortisseur : UTB | Set O-Ring ammortizzatore: UTB |
| AXI233009 | Spring 13x70mm 2.0 lbs/in Ylw(2) | Feder 13 x 70 mm 2 lbs/in Gelb (2) | Ressort 13 x 70 mm 2 lb/po jaune (2) | Molla 13 x 70 mm 2 lbs/in Giallo (2) |

| Part # | Description | Beschreibung | Description | Descrizione |
|-----------|---|---|---|---|
| AXI233022 | Shk Body, Alum 11x41.5mm Clr (2) | Gewinde-Stoßdämpfergehäuse Alum 11 x 41,5 mm (2 Stk) | Corps d'amortisseur fileté aluminium 11 x 41,5 mm (2) | Scocca ammortizzatore filettata in alluminio 11x41,5 mm (2) |
| AXI234003 | Pvt Ball,Stainless12.75mm(4):UTB | Kugelzapfen, Edelstahl 12,75 mm (4): UTB | Rotule, acier inoxydable 12,75mm (4) : UTB | Pivot ball, inossidabile, 12,75mm (4): UTB |
| AXI234004 | Susp Pvt Ball, Stainless 7.5mm | Kugelzapfen für Federung, Edelstahl 7,5 mm | Rotule de suspension, acier inoxydable 7,5mm | Pivot ball sospensioni, indossabile, 7,5mm |
| AXI234006 | HD Rod Ends M4 20pcs: UTB | Schwerlast-Stangenköpfe M4 (20): UTB | Embouts de bielle haute résistance M4 (20) : UTB | Teste a snodo per impiego gravoso M4 (20): UTB |
| AXI234012 | SS Link M6 x 88mm 2pc SCX10III | Edelstahl M6 x 88 mm Stange (2 Stk) | Bras en acier inoxydable M6 x 88 mm (2 pièces) | Braccetto M6 x 88 mm acciaio inox (2 pz) |
| AXI234013 | SS Link M6 x 97mm 2pc SCX10III | Edelstahl M6 x 97 mm Stange (2 Stk) | Bras en acier inoxydable M6 x 97 mm (2 pièces) | Braccetto M6 x 97 mm acciaio inox (2 pz) |
| AXI234015 | SS Link M6 x 117mm 2pc SCX10III | Edelstahl M6 x 117 mm Stange (2 Stk) | Bras en acier inoxydable M6 x 117 mm (2 pièces) | Braccetto M6 x 117 mm acciaio inox (2 pz) |
| AXI234031 | Steering Links | Lenkstangen | Bras de direction | Tiranti sterzo |
| AXI234033 | Panhard Bar (Std): SCX10 III | Panhard-Stange (Std) | Barre de Panhard (Std) | Barra Panhard (Std) |
| AXI234034 | M6x105mm Link (2pcs): SCX10III | M6 x 105 mm Stange (2 Stk) | Bras M6 x 105mm (2 pièces) | Braccetto M6 x 105 mm (2 pz) |
| AXI235094 | M2.5 x 3mm, Button Head (10) | Rundkopfschraube, M2,5 x 3mm (10) | Vis à tête bombée, M2,5 x 3mm (10) | Vite a testa tonda M2,5 x 3mm (10) |
| AXI235099 | M2.5 x 10mm, Button Head (10) | Rundkopfschraube, M2,5 x 10mm (10) | Vis à tête bombée, M2,5 x 10mm (10) | Vite a testa tonda M2,5 x 10mm (10) |
| AXI235102 | M2.5 x 18mm, BHS (10) | Rundkopfschraube, M2,5 x 18mm (10) | Vis à tête bombée, M2,5 x 18mm (10) | Vite a testa tonda M2,5 x 18mm (10) |
| AXI235109 | M3 x 14mm, Button Head Screw(10) | Rundkopfschraube, M3 x 14mm (10) | Vis à tête bombée, M3 x 14mm (10) | Vite a testa tonda M3 x 14mm (10) |
| AXI235110 | M3 x 16mm, Button Head Screw(10) | Rundkopfschraube, M3 x 16mm (10) | Vis à tête bombée, M3 x 16mm (10) | Vite a testa tonda M3 x 16mm (10) |
| AXI235161 | M2 x 12mm Flat Head Screw (10) | Rundkopfschraube, M2 x 12mm (10) | Vis à tête bombée, M2 x 12mm (10) | Vite a testa tonda M2 x 12mm (10) |
| AXI235169 | M2.5 x 12mm, Flat Head Screw(10) | Rundkopfschraube, M2,5 x 12mm (10) | Vis à tête bombée, M2,5 x 12mm (10) | Vite a testa piana esagonale M2,5 x 12mm (10) |
| AXI235174 | M3 x 6mm, Flat Head Screw (10) | Sechskant-Flachkopfschraube, M3 x 6mm, schwarz (10) | Douille à six pans à tête plate M3 x 6mm noire (10) | Vite a testa piana esagonale M3 x 6mm nero (10) |
| AXI235178 | M3 x 14mm, Flat Head Screw (10) | Sechskant-Flachkopfschraube, M3 x 14mm, schwarz (10) | Douille à six pans à tête plate M3 x 14mm noire (10) | Vite a testa piana esagonale M3 x 14mm nero (10) |
| AXI235230 | M2.5 x 18mm Cap Head Screw (10) | Inbusschraube, M2,5 x 18mm (10) | Vis d'assemblage creuse, M2,5 x 18mm (10) | Vite a testa cilindrica M2,5 x 18mm (10) |
| AXI235233 | M3 x 45mm (34mm Shldr) Screw 10 | M3 x 45 mm (34 mm Schulter) Schraube (10) | Vis M3 x 45 mm (épaule 34 mm) (10) | Vite M3 x 45mm (spalla 34mm) (10) |
| AXI236173 | M2.5 x 8mm Pin (6) | Stift 2,5x8mm (6) | Axe M2,5x8mm (6) | Perno 2,5x8mm (6) |
| AXI237003 | 4mm x 8mm x 3mm Ball Bearing (2) | Lager 4mm x 8mm x 3mm | Roulement 4mm x 8mm x 3mm | Cuscinetto 4mm x 8mm x 3mm |
| AXI43013 | 1.9 Retro Slot Bdck Whl Satin | 1.9 Retro Slot Beadlock-Rad, Satin | 1.9 Roue Retro Slot Beadlock, satin | Ruota 1.9 Retro Slot Beadlock, satinata |
| AX31143 | 1.9 Falken Wildpeak M/T Tires - R35 Compound (2pcs) | 1.9 Falken Wildpeak M/T Reifen – R35 Compound (2 Stck.) | 1.9 Pneus M/T Falken Wildpeak - composé R35 (2 pièces) | Pneumatici 1.9 Falken Wildpeak M/T - Mescola R35 (2 pz) |
| AXIC0005 | AXA0113 Hex Skt Butn Hd M3x6mm | AXA0113 Innensechskantschraube, Rundkopf, M3 x 6 mm | AXA0113 Douille hexagonale à tête bombée M3 x 6 mm | AXA0113 Vite cil esag inc M3x6 mm |
| AXIC0012 | AXA120 Hex Socket Btn Hd M3x25 | AXA120 Innensechskantschraube, Rundkopf, M3 x 25 | AXA120 Douille hexagonale à tête bombée M3 x 25 | AXA120 Vite cil esag inc M3x25 |
| AXIC0013 | AXA013 Cap Hd M2x6mm Blk Oxide | AXA013 Kappenkopf M2 x 6 mm, Schwarz, Oxid | AXA013 Vis d'assemblage creuse M2x6mm brunie | AXA013 Viti testa tonda M2x6 mm nero ossido |
| AXIC0015 | AXA015 Cap Hd M2x10mm Blk Oxid | AXA013 Kappenkopf M2 x 10 mm, Schwarz, Oxid | AXA013 Vis d'assemblage creuse M2x10mm brunie | AXA013 Viti testa tonda M2x10 mm nero ossido |
| AXIC0114 | AXA114 Hex Skt Butn Hd M3x8mm | AXA114 Innensechskantschraube, Rundkopf, M3 x 8 mm | AXA114 Douille hexagonale à tête bombée M3 x 8 mm | AXA114 Vite cil esag inc M3x8 mm |
| AXIC0115 | AXA115 Hex Skt Butn Head M3x10 | AXA115 Innensechskantschraube, Rundkopf, M3 x 10 mm | AXA115 Douille hexagonale à tête bombée M3 x 10 | AXA115 Vite cil esag inc M3x10 mm |
| AXIC0116 | AXA116 Hex Skt Butn Hd M3x12mm | AXA116 Innensechskantschraube, Rundkopf, M3 x 12 mm | AXA116 Douille hexagonale à tête bombée M3 x 12 mm | AXA116 Vite cil esag inc M3x12 mm |
| AXIC0118 | AXA144 Hex Flt Hd M3x8mm Blk10 | AXA144 Innensechskantschraube, Flachkopf M3 x 8 mm Schwarz 10 | AXA144 Douille hexagonale à tête plate M3 x 8 mm noire 10 | AXA144 Vite piatta esag M3x8 mm nero (10) |
| AXIC0146 | AXA146 Hex Skt Flat Hd M3x12mm | AXA146 Innensechskantschraube, Flachkopf, M3 x 12 mm | AXA146 Douille hexagonale à tête plate M3 x 12 mm | AXA146 Vite piatta esag inc M3x12 mm |
| AXIC0147 | AXA0147 Hex Skt Flt Hd M3x16mm | AXA0147 Innensechskantschraube, Flachkopf, M3 x 16 mm | AXA0147 Douille hexagonale à tête plate M3 x 16 mm | AXA147 Vite cil esag inc M3x16 mm |
| AXIC0149 | AXA149 Hex Skt Flat Hd M3x20mm | AXA0149 Innensechskantschraube, Flachkopf, M3 x 20 mm | AXA0149 Douille hexagonale à tête plate M3 x 20 mm | AXA149 Vite cil esag inc M3x20 mm |
| AXIC0176 | AXA176 Screw Shaft M3x2.5x13mm | AXA176 Schraubenschaft M3x2,5x13mm | AXA176 Tige de vis M3x2,5x13mm | AXA176 Albero filettato M3x2,5x13mm |
| AXIC0218 | AXA1218 Bearing 5x10x4mm | AXA1218 Lager 5 x 10 x 4 mm | AXA1218 Roulement 5 x 10 x 4 mm | AXA1218 Cuscinetto 5x10x4 mm |
| AXIC0221 | AXA1221 Bearing 5x11x4mm | AXA1221 Lager 5 x 11 x 4 mm | AXA1221 Roulement 5 x 11 x 4 mm | AXA1221 Cuscinetto 5x11x4 mm |
| AXIC0230 | AXA1230 Bearing 10x15x4mm | AXA1230 Lager 10 x 15 x 4 mm | AXA1230 Roulement 10 x 15 x 4 mm | AXA1230 Cuscinetto 10 x 15 x 4 mm |
| AXIC0286 | AXA0286 Screw Shaft M4x2.5x12 | Schraubenschaft M4 x 2,5 x 12 mm | Tige de vis M4 x 2,5 x 12mm | Albero filettato M4 x 2.5 x 12mm |
| AXIC0291 | AXA291 Set Scr M4x4mm Blk Ox(6) | AXA291 Schraubensatz M4 x 4 mm, Schwarz, Oxid | AXA291 Vis de fixation M4 x 4 mm brunie | AXA291 Grano M4 x 4 mm nero ossido |
| AXIC0392 | AXA1392 E-clip E2 (10) | E-Clip E2 (10) | E-Clip, E2 (10) | E-Clip, E2 (10) |
| AXIC0569 | AX30569 Pinion 48P 14T Steel | Ritzel 48P 14T Stahl | Pignon 48P 14T en acier | Pignone 48P 14T acciaio |
| AXIC0725 | AX30725 Pinion Gear 32p 14t | Ritzel 32P 14T Stahl | Pignon 32P 14T en acier | Pignone 32P 14T acciaio |
| AXIC1009 | AXA0109 Hex Skt Oversize M3x10mm | AXA0109 Innensechskantschraube, Übergroße, M3 x 10 mm | AXA0109 Douille hexagonale surdimensionnée M3 x 10 mm | AXA0109 Viti oversize esag inc M3x10 mm |
| AXIC1028 | AX31028 Pin 2.0x11mm (6) | Stift 2 x 11mm (6) | Axe 2 x 11mm (6) | Perno 2 x 11mm (6) |

| Part # | Description | Beschreibung | Description | Descrizione |
|--------------|-------------------------------------|--|---|---|
| AXIC1050 | AXA150 Hex Skt Flt Hd M3x25mm (10) | Sechskant-Flachkopfschraube, M3 x 25mm (10) | Douille à six pans à tête plate M3 x 25mm (10) | Vite a testa piana esagonale M3 x 25mm (10) |
| AXIC1059 | AXA1059 Body Clip 6mm Black(10) | AXA1059 Karosserieklemmen 6 mm (10) | AXA1059 Clips de carrosserie 6 mm (10) | AXA1059 Clip carrozzeria 6 mm (10) |
| AXIC1119 | AX31119 Hex Skt Btn 3x35mm(10) | Sechskant-Rundkopfschraube, M3 x 35mm | Douille à six pans à tête bombée M3 x 35mm | Vite a testa tonda con esagono incassato M3 x 35mm |
| AXIC1120 | AX31120 Hex Skt Flat 3x10mm(10) | Sechskant-Flachkopfschraube, M3 x 10mm (10) | Douille à six pans à tête plate M3 x 10mm (10) | Vite a testa piana esagonale M3 x 10mm (10) |
| AXIC1146 | AX31146 Hex Skt Btn 2x4mm (10) | Sechskant-Rundkopfschraube, M2 x 4mm | Douille à six pans à tête bombée M2 x 4mm | Vite a testa tonda con esagono incassato M2 x 4mm |
| AXIC1148 | AX31148 Wb8-hd Drvshft Coupler | WB8-HD Antriebswelle Koppler-Satz | Ensemble de coupleur d'arbre de transmission WB8-HD | Set accoppiatore dell'albero di trasmissione WB8-HD |
| AXIC1180 | AXA118 Hex Socket BtnHd M3x18mm(10) | Sechskant-Rundkopfschraube, M3 x 18mm | Douille à six pans à tête bombée M3 x 18mm | Vite a testa tonda con esagono incassato M3 x 18mm |
| AXIC1243 | AXA1243 Bearing 15x21x4mm (2) | Lager 15mm x 21mm x 4mm | Roulement 15mm x 21mm x 4mm | Cuscinetto 15mm x 21mm x 4mm |
| AXIC1391 | AXA1391 E-Clip E4 (10) | E-Clip, 4mm | E-Clip, 4mm | E-Clip, 4mm |
| AXIC1481 | AX31481 AE-5L LED Light Set Only | AE-5L LED-Leuchten | Ensemble de témoins DEL AE-5L | Set luci LED AE-5L |
| AXIC2398 | AX31312 35T Electric Motor | 35T Elektromotor | Moteur électrique 35T | Motore elettrico 35T |
| AXIC3066 | AX31066 Cap Hd M2x8mm Blk (10) | Inbusschraube M2 x 8mm, schwarz (10) | Vis d'assemblage creuse M2 x 8mm noire (10) | Vite a testa cilindrica M2 x 8mm nero (10) |
| AXIC3150 | AX31250 Ser Nyl Nut Blk 4mm(10) | Feststellkontermutter mit Flansch M4 (10) | Contre-écrou à embase M4 strié (10) | Controdado flangiato dentellato M4 (10) |
| AXIC3373 | AX31373 Hex Bttm Head M2.6x8mm (10) | Sechskant-Rundkopfschraube, M2,6x8mm | Douille à six pans à tête bombée M2,6x8mm | Vite a testa tonda con esagono incassato M2,6x8mm |
| AXIC3374 | AX31374 Body Clip Black 3mm(10) | Karosserieklemmen 3 mm (10) | Clips de carrosserie 3 mm (10) | Clip carrozzeria 3 mm (10) |
| AXIC4403 | AX31403 Bttm Hd Scrw M3x4x10mm (6) | Rundkopfschraube, M3x4x10mm (10) | Vis à tête bombée, M3x4x10mm (10) | Vite a testa tonda M3x4x10mm (10) |
| AXIC4406 | AX31406 Bearing 7x14x3.5mm (2) | Lager 7x14x3,5mm | Roulement 7x14x3,5mm | 7x14x3,5mm |
| AXIC4407 | AX31407 Bearing 5x14x5mm (2) | Lager 5x14x5mm | Roulement 5x14x5mm | 7x14x3,5mm |
| SPM2340 | DX3 SMART DSMR 3CH TX w/SR315 | DX3 SMART 3CH Sender | DX3 Smart 3CH Émetteur | DX3 Smart 3CH Trasmettitore |
| SPMS614 | S614 Metal Gear Servo 23T WP | SS614 Stahlgetriebeservo 23T WP | Servo étanche à engrenages métalliques S614 | S614, servo ingr metallo imp, 23T |
| SPMSSX107 | SX107 Micro Metal Gear Servo | SX107 Analoger Micro-Metallgetriebe-Oberflächenservo | Micro servo de surface à engrenage métallique SX107 | Servo micro sup. analogico ingr. metallo SX107 |
| SPMXSE1040RX | 40 Amp Brushed Smart ESC/RX | 40 Amp Empfänger/Geschwindigkeitsregler-Kombination | Combinaison récepteur/ESC 40 Amp | Combo Ricevitore/ESC 40 Amp |

RECOMMENDED PARTS // EMPFOHLENE TEILE // PIÈCES RECOMMANDÉES // PARTI CONSIGLIATE

| Part # | Description | Beschreibung | Description | Descrizione |
|-----------------|--|---|---|---|
| DYNB37353 | 11.1V 3700mAh 3S 50CLiPo 96mmEC3 | 11,1V 3700mAh 3S 50CLiPo 96mmEC3 | 11,1V 3700mAh 3S 50CLiPo 96mmEC3 | 11,1V 3700mAh 3S 50CLiPo 96mmEC3 |
| DYNB5025H3 | 7.4V 5000mAh 2S50C LiPo, Hardcase: EC3 | 7,4 V 5000 mAh 2S 50C LiPo, Hartschale: EC3 | Li-Po 7,4 V 5000 mAh 2S 50C, boîtier : EC3 | 7,4 V 5000 mAh 2S 50C LiPo, hardcase: EC3 |
| DYNB5035H3 | 11.1V 5000mAh 3S 50C LiPo,Hrdcs:EC3 | 11,1 V 5000 mAh 3S 50C LiPo, Hartschale: EC3 | Li-Po 11,1 V 5 000 mAh 3S 50 C, boîtier : EC3 | 11,1 V 5000 mAh 3S 50C LiPo, hardcase: EC3 |
| DYNC2030 | Prophet Sport Mini 50W Charger | Prophet Sport Mini 50W Ladegerät | Chargeur Prophet Sport Mini, 50W | Caricabatterie Prophet Sport Mini, 50W |
| DYNC3015 | P1 Mini AC Balance Char/ Dischar | Prophet Sport Mini AC Ladegerät | Chargeur Prophet Sport Mini, AC | Caricabatterie Prophet Sport Mini, AC |
| DYNC3016 | Passport P2 2 Port AC/DC MultiCharger | Passport P2 2-Port-AC / DC-Multi-Ladegerät | Passport P2 Chargeur multiple AC / DC à 2 ports | Passport P2 Caricatore multiplo CA / CC a 2 porte |
| DYNC3017 | Passport P4 AC/DC 4 Port MultiCharger | Passport P4 4-Port-AC / DC-Multi-Ladegerät | Passport P4 Chargeur multiple AC / DC à 4 ports | Passport P4 Caricatore multiplo CA / CC a 4 porte |
| DYNS0900 | Brushed Crawler Combo 35T | Gebürsteter Crawler Combo 35T | Brossé Crawler Combo 35T | Combo cingolato spazzolato 35T |
| SPMSS6250 | S6250 U-T / H-S Digital HV WP Servo | S6250 U-T / H-S Digitales wasserdichtes Servo | S6250 U-T / H-S Servo étanche numérique | S6250 U-T / H-S Servo impermeabile digitale |
| SPMSS6280 | S6280 U-T / H-S Digital HV WP Servo | S6280 U-T / H-S Digitales wasserdichtes Servo | S6280 U-T / H-S Servo étanche numérique | S6280 U-T / H-S Servo impermeabile digitale |
| SPMX50002S100H3 | 5000mAh 2S 7.4V Smart 100C; IC3 | 5000mAh 2S 7,4V Smart 100C; IC3 | 5000mAh 2S 7,4V Smart 100C; IC3 | 5000mAh 2S 7,4V Smart 100C; IC3 |
| SPMX50002S30H3 | 5000mah 2S 7.4V Smart 30C; IC3 | 5000mah 2S 7,4V Smart 30C; IC3 | 5000mah 2S 7,4V Smart 30C; IC3 | 5000mah 2S 7,4V Smart 30C; IC3 |
| SPMX50002S50H3 | 5000mAh 2S 7.4V Smart 50C; IC3 | 5000mAh 2S 7,4V Smart 50C; IC3 | 5000mAh 2S 7,4V Smart 50C; IC3 | 5000mAh 2S 7,4V Smart 50C; IC3 |
| SPMX50003S100H3 | 5000mAh 3S 11.1V Smart 100C; IC3 | 5000mAh 3S 11,1V Smart 100C; IC3 | 5000mAh 3S 11,1V Smart 100C; IC3 | 5000mAh 3S 11,1V Smart 100C; IC3 |
| SPMX50003S30H3 | 5000mah 3S 11.1V Smart 30C; IC3 | 5000mah 3S 11,1V Smart 30C; IC3 | 5000mah 3S 11,1V Smart 30C; IC3 | 5000mah 3S 11,1V Smart 30C; IC3 |
| SPMX50003S50H3 | 5000mAh 3S 11.1V Smart 50C; IC3 | 5000mAh 3S 11,1V Smart 50C; IC3 | 5000mAh 3S 11,1V Smart 50C; IC3 | 5000mAh 3S 11,1V Smart 50C; IC3 |
| SPMXC1000 | Smart S1200 DC Charger, 1x200W | Smart S1200 Gleichstrom-Ladegerät, 1x200 W | Chargeur CC Smart S1200, 1x200 W | Caricabatterie Smart S1200 CC, 1x200 W |
| SPMXC1010 | Smart S2100 AC Charger, 2x100W | Smart S2100 Gleichstrom-Ladegerät, 2x100 W | Chargeur CC Smart S2100, 2x100 W | Caricabatterie Smart S2100 CC, 2x100 W |
| SPMXC1050 | Smart S1500 DC Charger, 1x500W | Smart S1500 Gleichstrom-Ladegerät, 1x500 W | Chargeur CC Smart S1500, 1x500 W | Caricabatterie Smart S1500 CC, 1x500 W |
| SPMXC1070 | Smart S150 AC/DC Charger, 1x50W | Smart S150 Gleichstrom-Ladegerät, 1x50 W | Chargeur CC Smart S150, 1x50 W | Caricabatterie Smart S150 CC, 1x50 W |
| SPMXC1080 | Smart S1100 AC Charger, 1x100W | Smart S1100 Gleichstrom-Ladegerät, 1x100 W | Chargeur CC Smart S1100, 1x100 W | Caricabatterie Smart S1100 CC, 1x100 W |

OPTIONAL PARTS // OPTIONALE TEILE // PIÈCES FACULTATIVES // PARTI OPZIONALI

| Part # | Description | Beschreibung | Description | Descrizione |
|------------|---------------------------------|--|--|---|
| AXI230025 | Uni Body Post Set: SCX10 III | Universal-Gehäusestangensatz | Ensemble de poteaux de carrosserie universels | Set supporti carrozzeria universale |
| AXI231013 | Servo Horn, Metal 25T: SCX10III | Servohorn, Metall 25T | Renvoi de commande de servo, métal 25T | Squadretta servo, Metallo 25T |
| AXI231015 | Frame Rail Set: SCX10III | Rahmenschienensatz | Ensemble de rails du cadre | Set guida telaio |
| AXI332001 | 6-Bolt 27/8 Overdrive Gear Set | 6-Schrauben-27/8-Overdrive-Zahnradatz | Ensemble d'engrenages d'overdrive à 6 boulons 27/8 | Set di ingranaggi Overdrive 27/8 a 6 bulloni |
| AXIC0724 | AX30724 Pinion Gear 32p 13t | AX30724 Zahnradgetriebe 32p 13t | AX30724 Engrenage à pignons 32p 13t | AX30724 Pignone 32p 13t |
| AXIC0725 | AX30725 Pinion Gear 32p 14t | AX30725 Zahnradgetriebe 32p 14t | AX30725 Engrenage à pignons 32p 14t | AX30725 Pignone 32p 14t |
| AXIC0726 | AX30726 Pinion Gr 32p 15t 3mm | AX30726 Zahnradgetriebe 32p 15t | AX30726 Engrenage à pignons 32p 15t | AX30726 Pignone 32p 15t |
| AXIC0727 | AX30727 Pinion Gear 32p 16t | AX30727 Zahnradgetriebe 32p 16t | AX30727 Engrenage à pignons 32p 16t | AX30727 Pignone 32p 16t |
| AXIC7028 | AX30728 Pinion Gear 32P 17T | AX30728 Zahnradgetriebe 32p 17t | AX30728 Engrenage à pignons 32p 17t | AX30728 Pignone 32p 17t |
| AXIC2021 | AX12021 2.2 Krawler R35 Tire | AX12021 2.2 Krawler R35 Reifen | AX12021 2.2 Krawler R35 Pneu | AX12021 2.2 Krawler R35 Pneumatico |
| SPMXSE1060 | Firma 60ASenseBL Smart Cr ESC | Firma 60 A bürstenloser Smart-Geschwindigkeitsregler | Variateur ESC sans balais 60 A Smart Firma | Smart ESC Firma 60 A Brushless |
| SPMXSEMC08 | Firma Sense 1/10 Cr Sys Smart | Firma Sense 1/10 Stromversorgungssystem Smart | Firma Sense 1/10 système du pouvoir Smart | Firma Sense 1/10 sistema di alimentazione Smart |
| SPMXSM3001 | Firma 2100kv BL Sense Cr Mot | FIRMA 2100 Kv bürstenloser Motor | Moteur sans balais 2 100 Kv FIRMA | Motore BL FIRMA 2100 Kv |
| SPMXSM3002 | Firma 2800kv BL Sense Cr Mot | FIRMA 2800 Kv bürstenloser Motor | Moteur sans balais 2 800 Kv FIRMA | Motore BL FIRMA 2800 Kv |

ELECTRONICS // ELETTRONIK // COMPOSANTS ÉLECTRONIQUES // ELETTRONICA

| Part # | Description | Beschreibung | Description | Descrizione |
|--------------|--|--|--|--|
| AXIC2398 | 35T Electric Motor | 35T Elektromotor | Moteur électrique 35T | Motore elettrico 35T |
| SPM2340 | DX3 SMART 3CH Transmitter | DX3 SMART 3CH Sender | DX3 Smart 3CH Émetteur | DX3 Smart 3CH Trasmettitore |
| SPMS614 | Metal Gear Servo | Metallgetriebeservo | Servo à engrenages métalliques | Servo, ingranaggio metallico |
| SPMXSE1040RX | 40 Amp Brushed Smart 2-in-1 ESC and Receiver | 40 Amp Empfänger/Geschwindigkeitsregler-Kombination | Combinaison récepteur/ESC 40 Amp | Combo Ricevitore/ESC 40 Amp |
| SPMSSX107 | SX107 Micro Analog Metal Gear Surface Servo | SX107 Analoger Micro-Metallgetriebe-Oberflächenservo | Micro servo de surface à engrenage métallique analogique SX107 | Servo micro sup. analogico ingr. metallo SX107 |



ADVENTURE ANYWHERE

facebook.com/axialinc | instagram.com/axialracing | twitter.com/axialrc
youtube.com/axialvideos | flickr.com/axialrc



©2021 Horizon Hobby, LLC.

Axial, the Axial logo, SCX-10, DSM, DX3, IC3, EC3, Passport, and the Horizon Hobby logo are trademarks or registered trademarks of Horizon Hobby, LLC.

The Spektrum trademark is used with permission of Bachmann Industries, Inc. Ford Motor Company Trademarks and Trade Dress are used under license to Horizon Hobby.

All other trademarks, service marks and logos are property of their respective owners.

Completed 3/21

AXI03014

127057