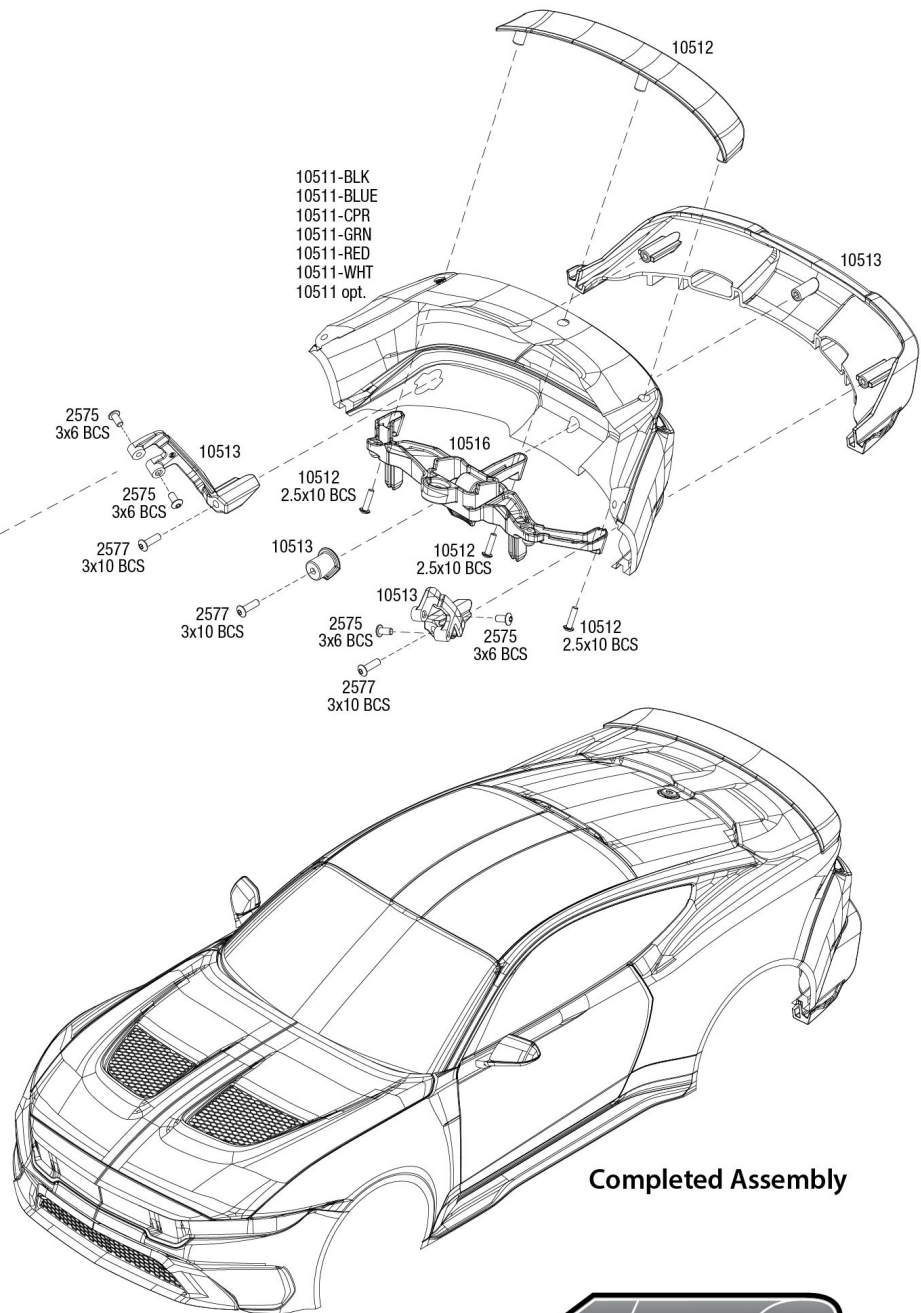
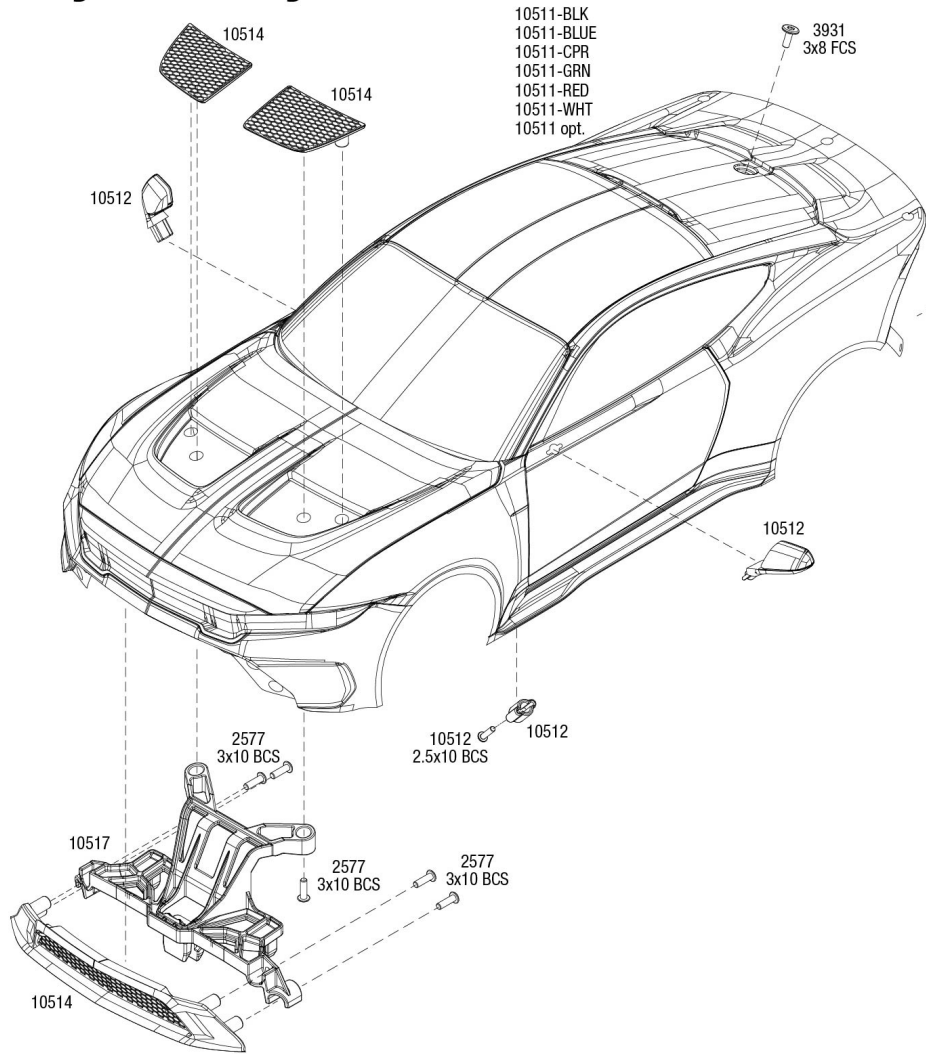




MUSTANG

Body Assembly



Completed Assembly

REV 240716-R01



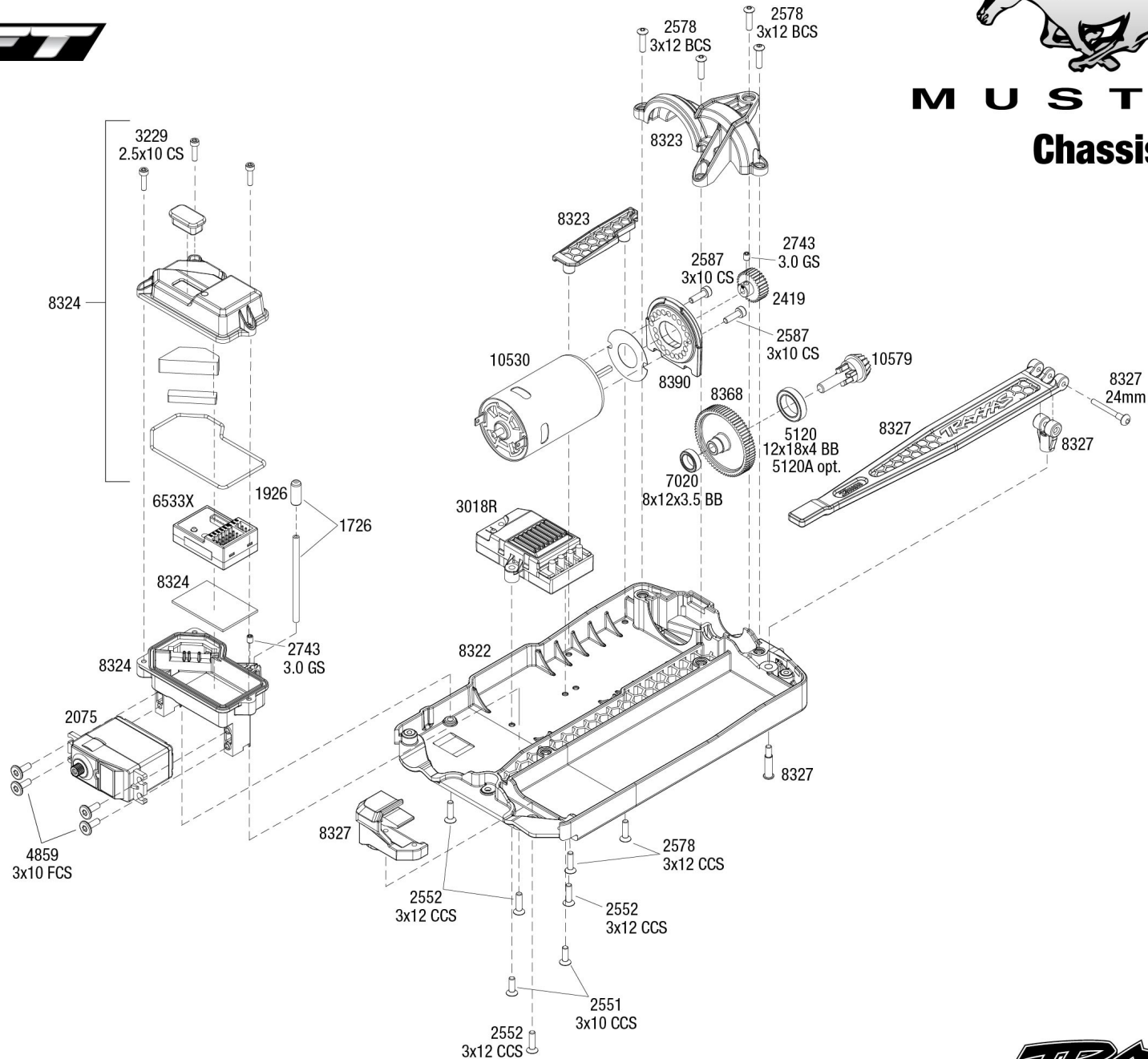
Specifications on this page are subject to change without notice. Every attempt has been made to ensure the accuracy of this drawing; however, Traxxas cannot be held responsible for typographical or other errors.

See Parts List for a complete listing of optional accessories.





MUSTANG Chassis Assembly



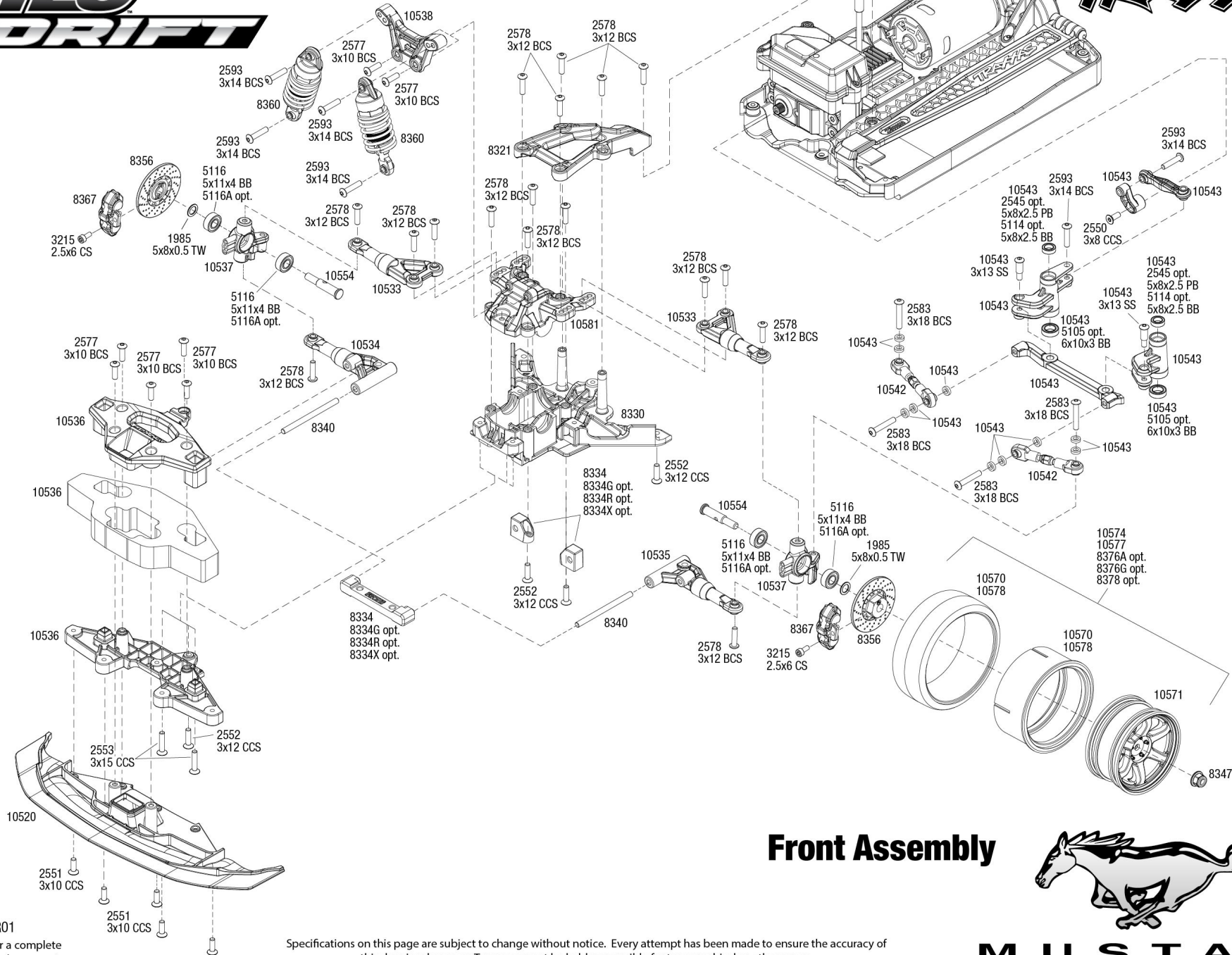
See Parts List for a complete listing of optional accessories.

Specifications on this page are subject to change without notice. Every attempt has been made to ensure the accuracy of this drawing; however, Traxxas cannot be held responsible for typographical or other errors.

REV 240716-R01

4TEC DRIFT

TRAXXAS



REV 240716-R01
See Parts List for a complete listing of optional accessories.

Specifications on this page are subject to change without notice. Every attempt has been made to ensure the accuracy of this drawing; however, Traxxas cannot be held responsible for typographical or other errors.

Front Assembly

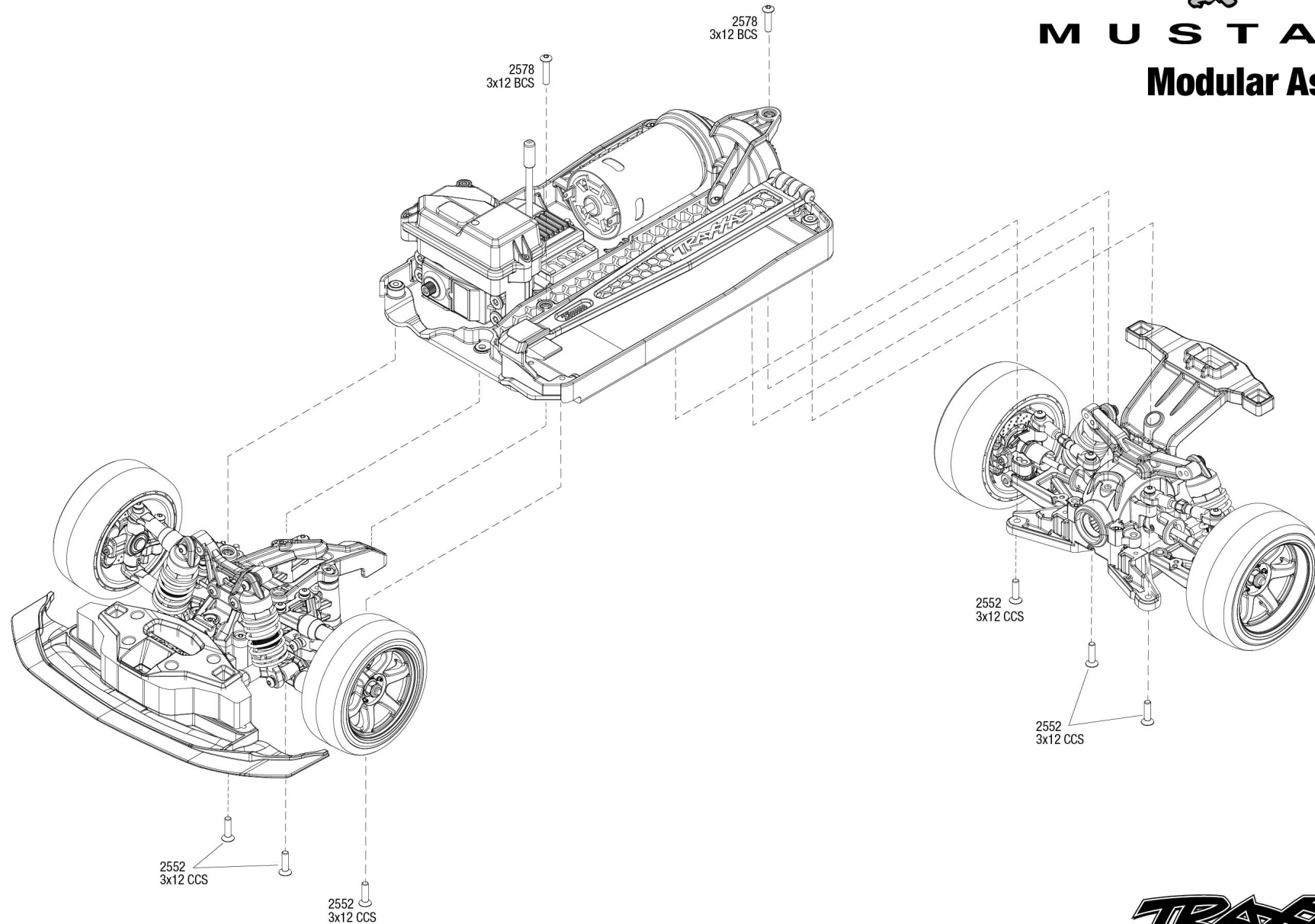


MUSTANG

4TEC DRIFT



M U S T A N G Modular Assembly



See Parts List for a complete listing of optional accessories.

REV 240716-R01

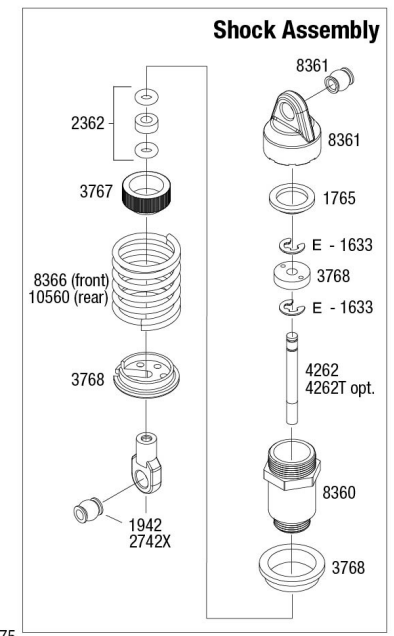
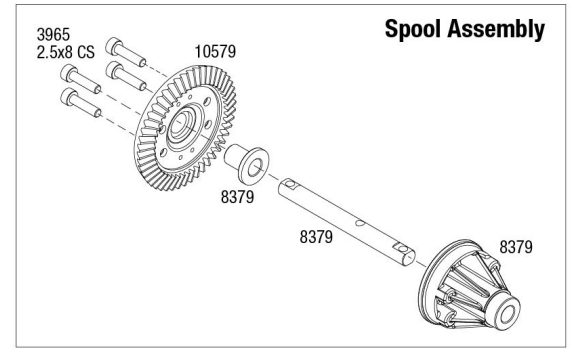
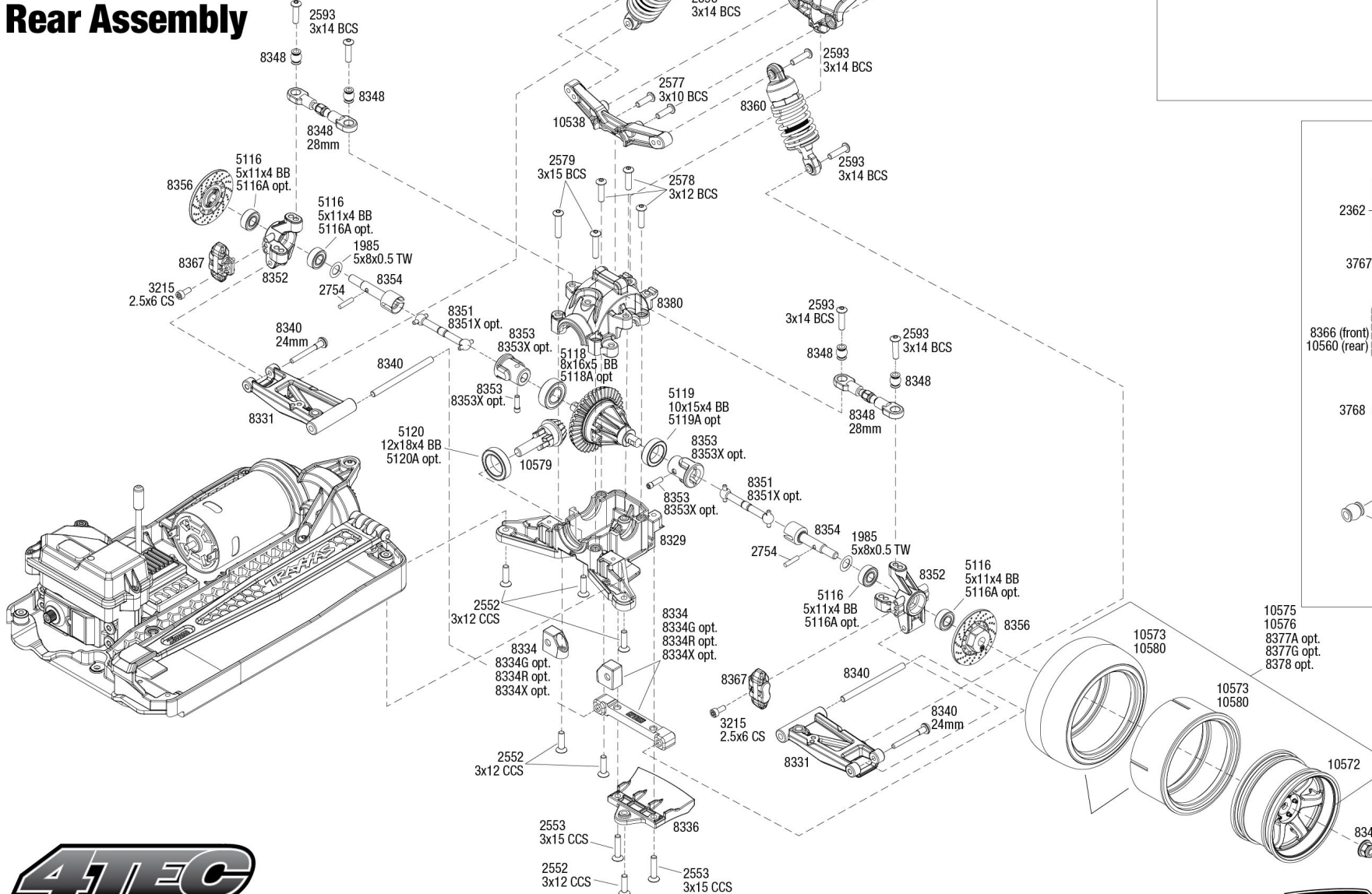
TRAXXAS

Specifications on this page are subject to change without notice. Every attempt has been made to ensure the accuracy of this drawing; however, Traxxas cannot be held responsible for typographical or other errors.



MUSTANG

Rear Assembly



Specifications on this page are subject to change without notice. Every attempt has been made to ensure the accuracy of this drawing; however, Traxxas cannot be held responsible for typographical or other errors.

REV 240716-R01
See Parts List for a complete listing of optional accessories.
TRAXXAS