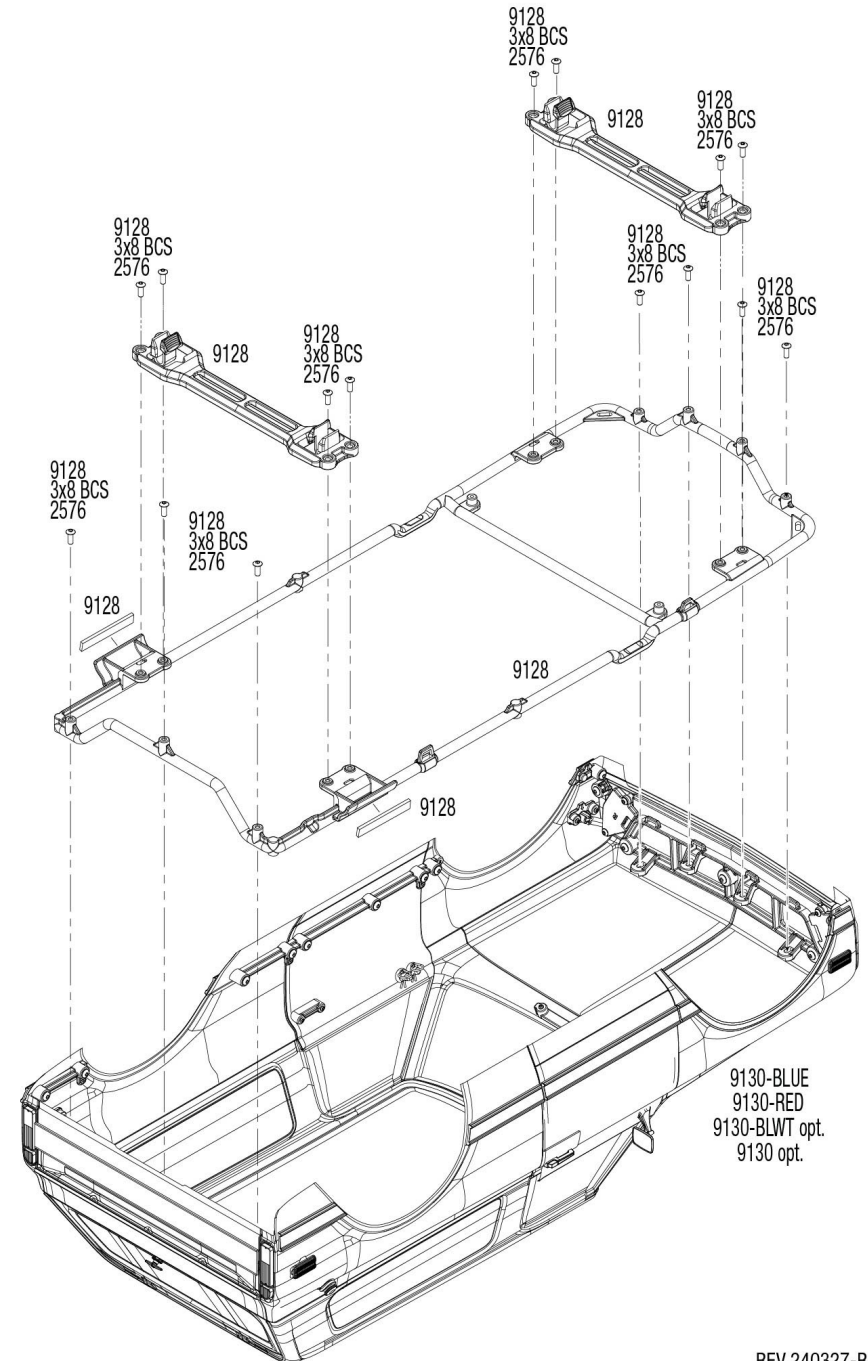
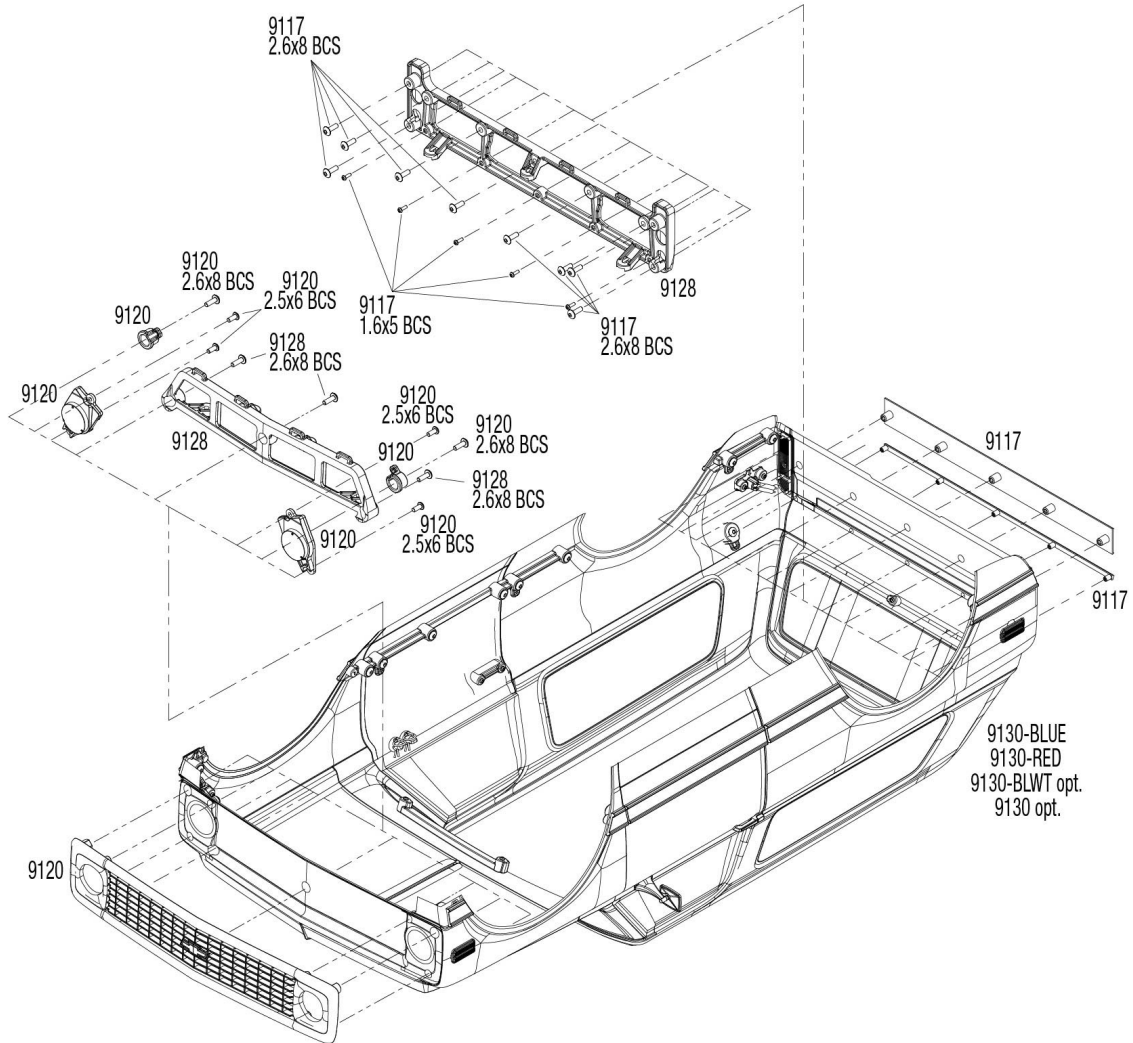


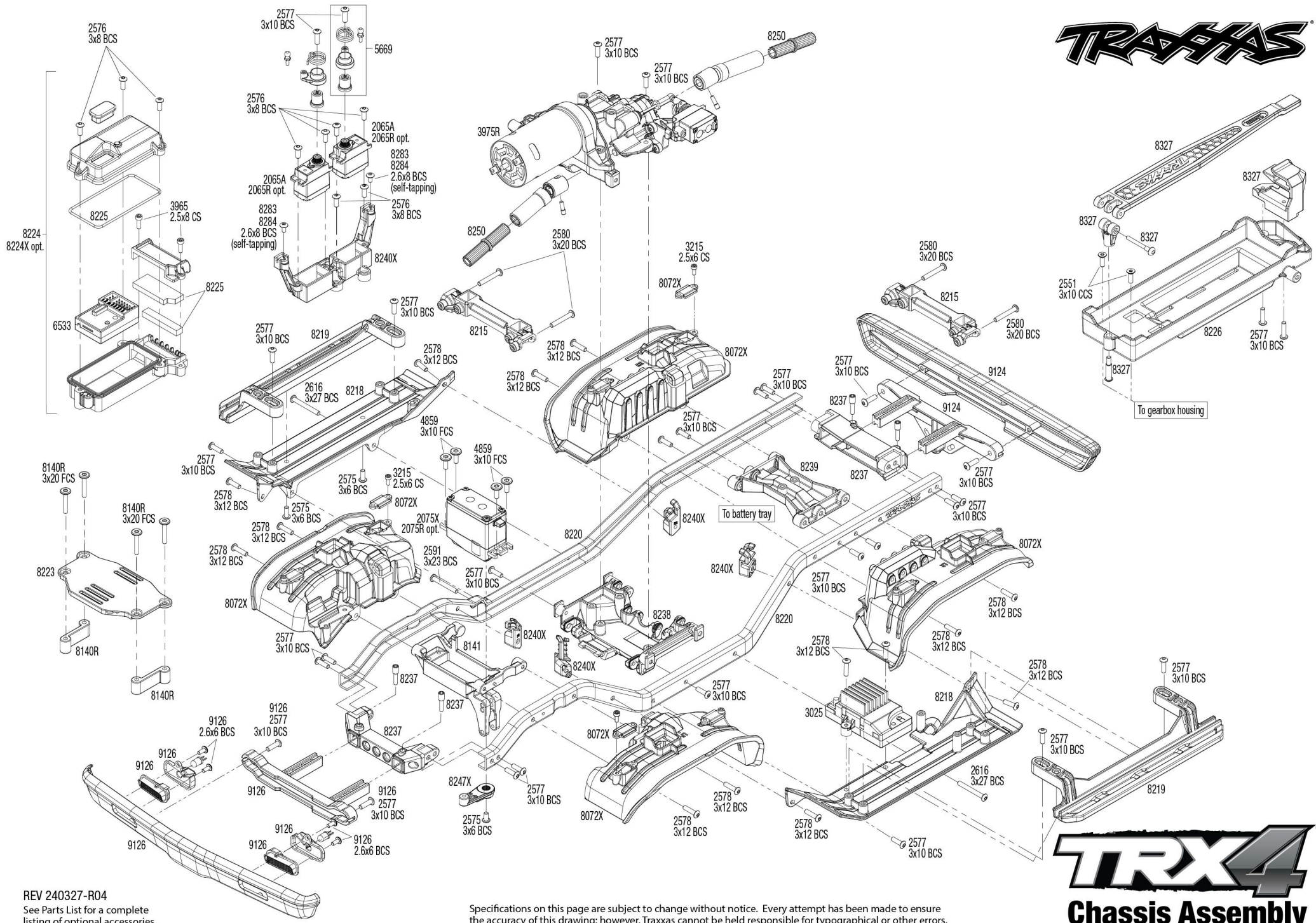
TRX4®

Body Cage Assembly



Specifications on this page are subject to change without notice. Every attempt has been made to ensure the accuracy of this drawing; however, Traxxas cannot be held responsible for typographical or other errors.

REV 240327-R04
See Parts List for a complete listing of optional accessories.



8224
8224X opt.

6533

8140R
3x20 FCS

8140R
3x20 FCS

8223

8140R

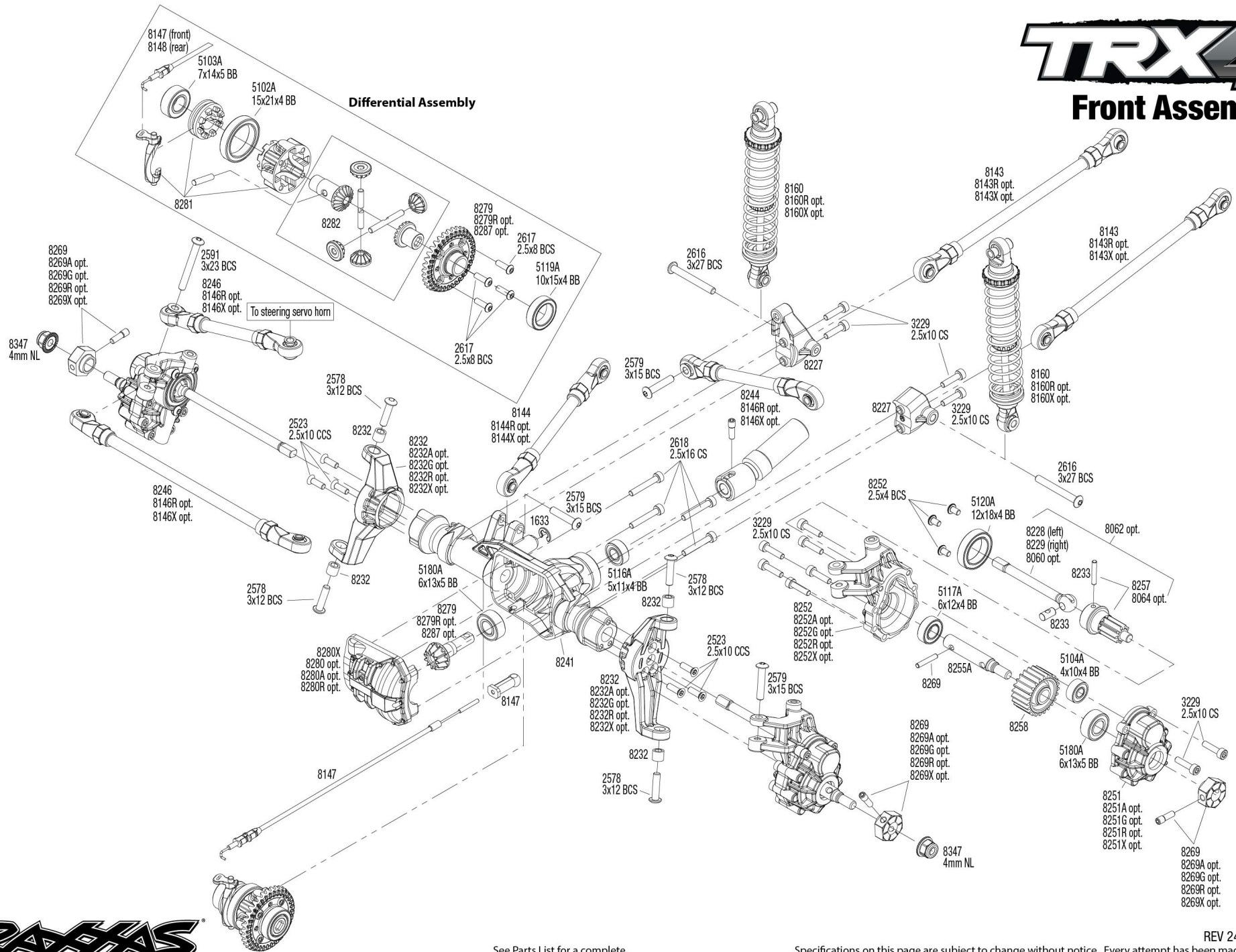
8140R

REV 240327-R04
See Parts List for a complete listing of optional accessories.

Specifications on this page are subject to change without notice. Every attempt has been made to ensure the accuracy of this drawing; however, Traxxas cannot be held responsible for typographical or other errors.

TRX4[®]

Front Assembly



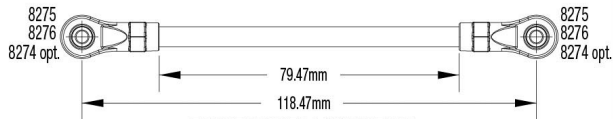
See Parts List for a complete listing of optional accessories.

Specifications on this page are subject to change without notice. Every attempt has been made to ensure the accuracy of this drawing; however, Traxxas cannot be held responsible for typographical or other errors.

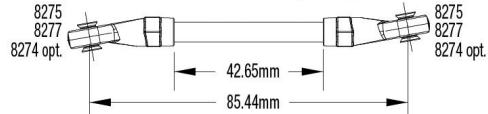
REV 240327-R04



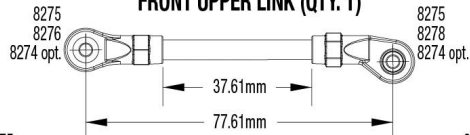
Link Dimensions



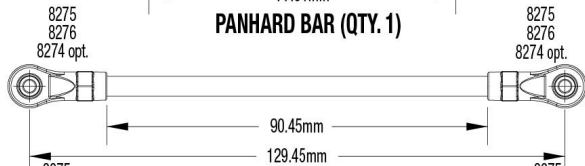
FRONT LOWER LINK (QTY. 2)



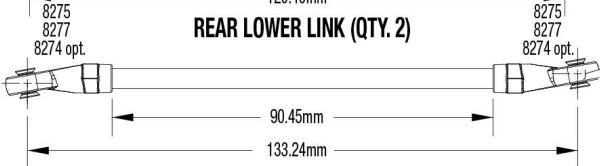
FRONT UPPER LINK (QTY. 1)



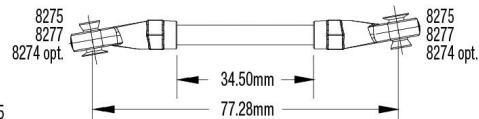
PANHARD BAR (QTY. 1)



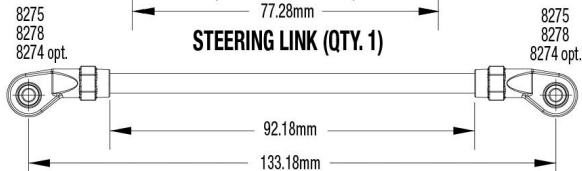
REAR LOWER LINK (QTY. 2)



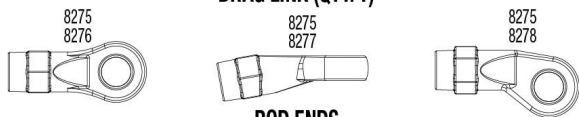
REAR UPPER LINK (QTY. 2)



STEERING LINK (QTY. 1)



DRAG LINK (QTY. 1)

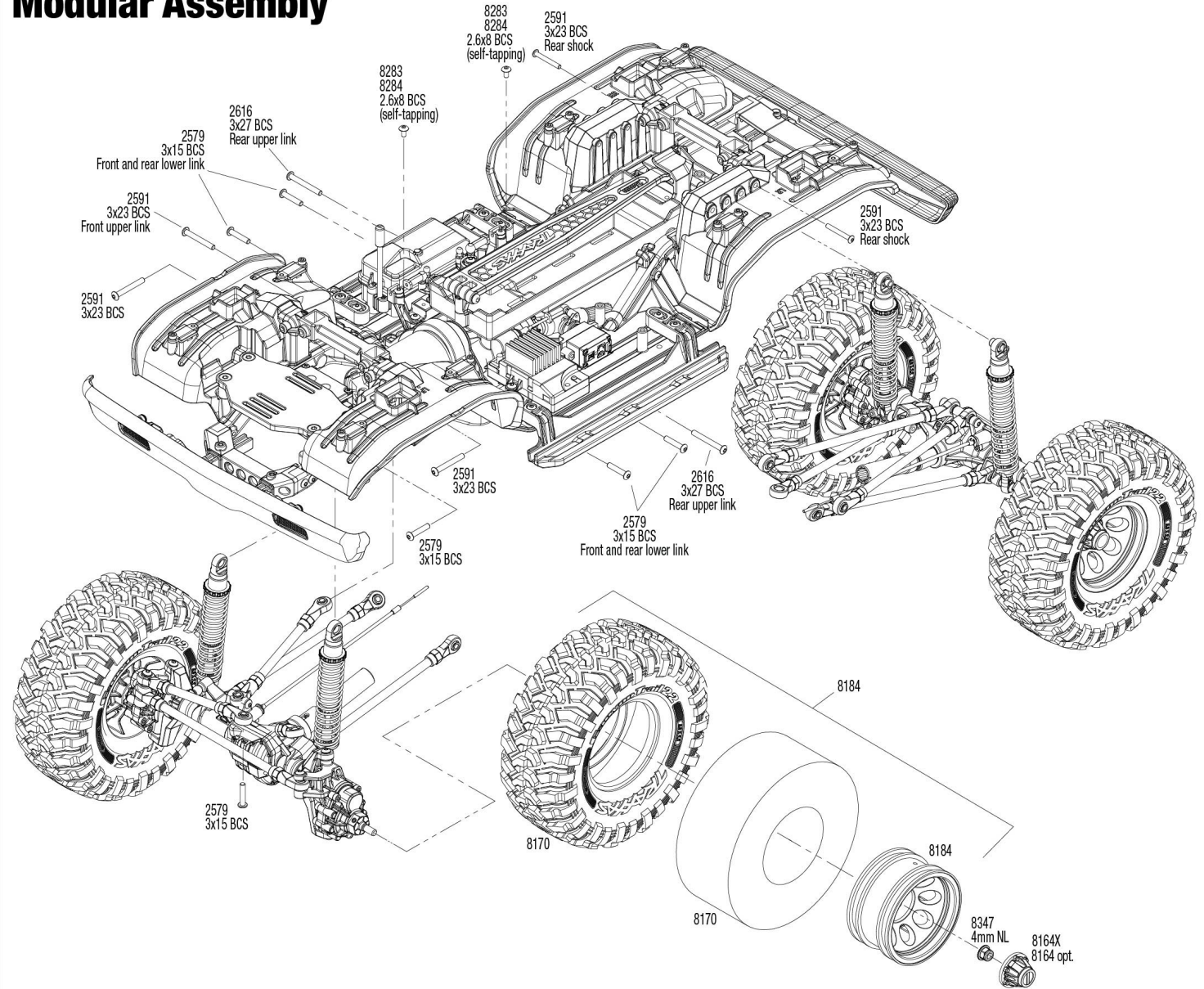


ROD ENDS

For standard hollow ball replacement, use part #5349.



Modular Assembly

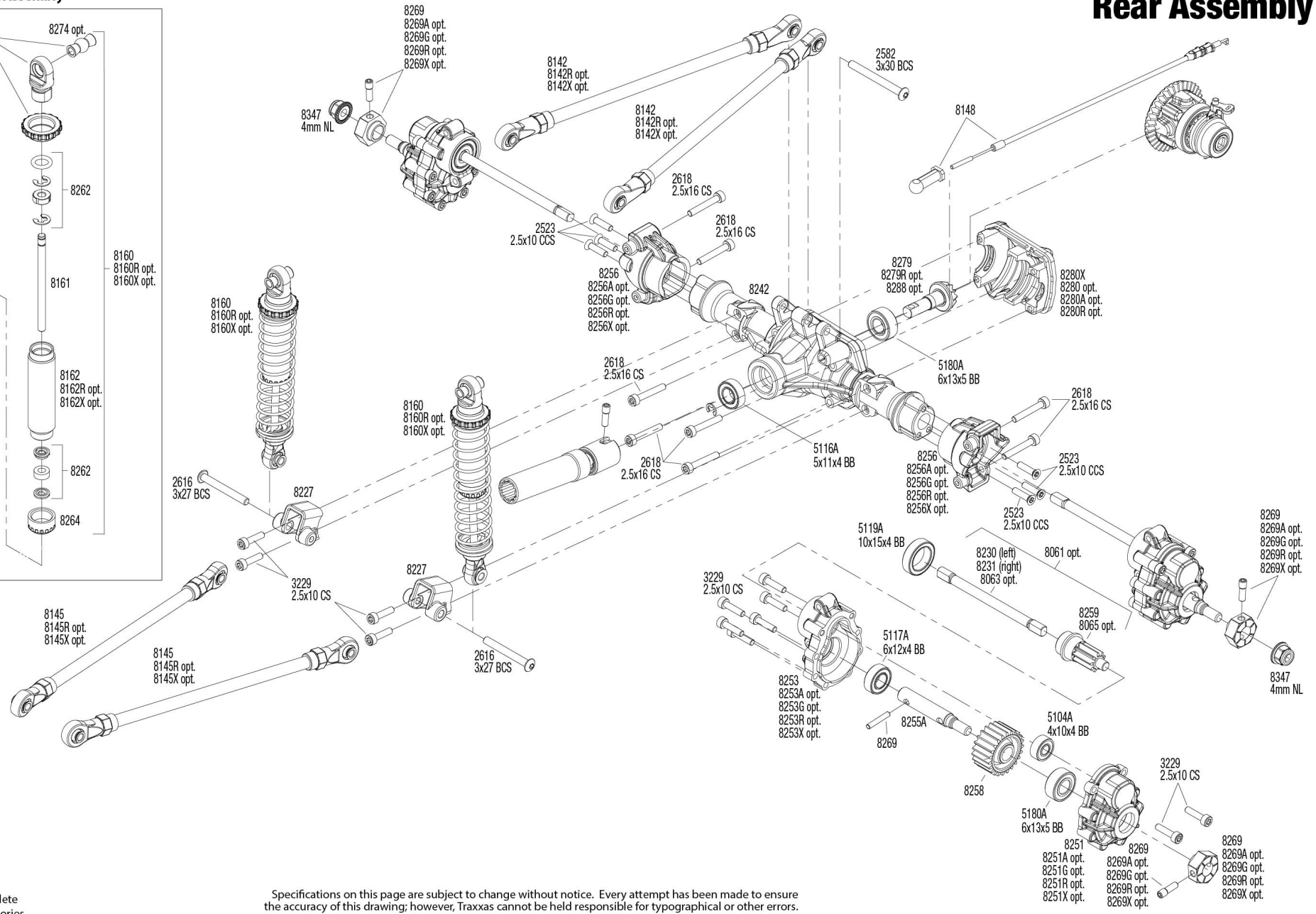
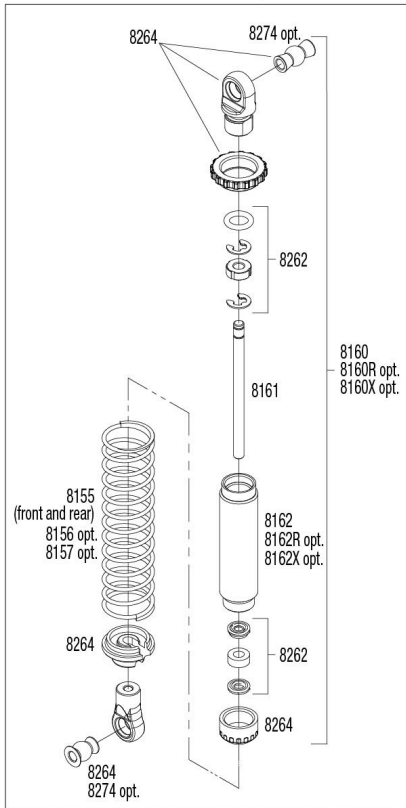


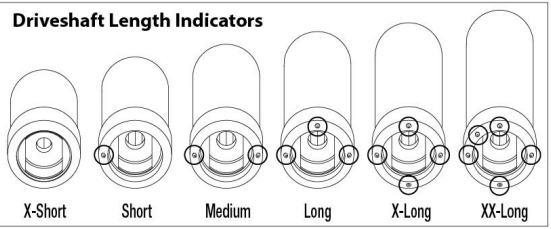
REV 240327-R04

See Parts List for a complete listing of optional accessories.

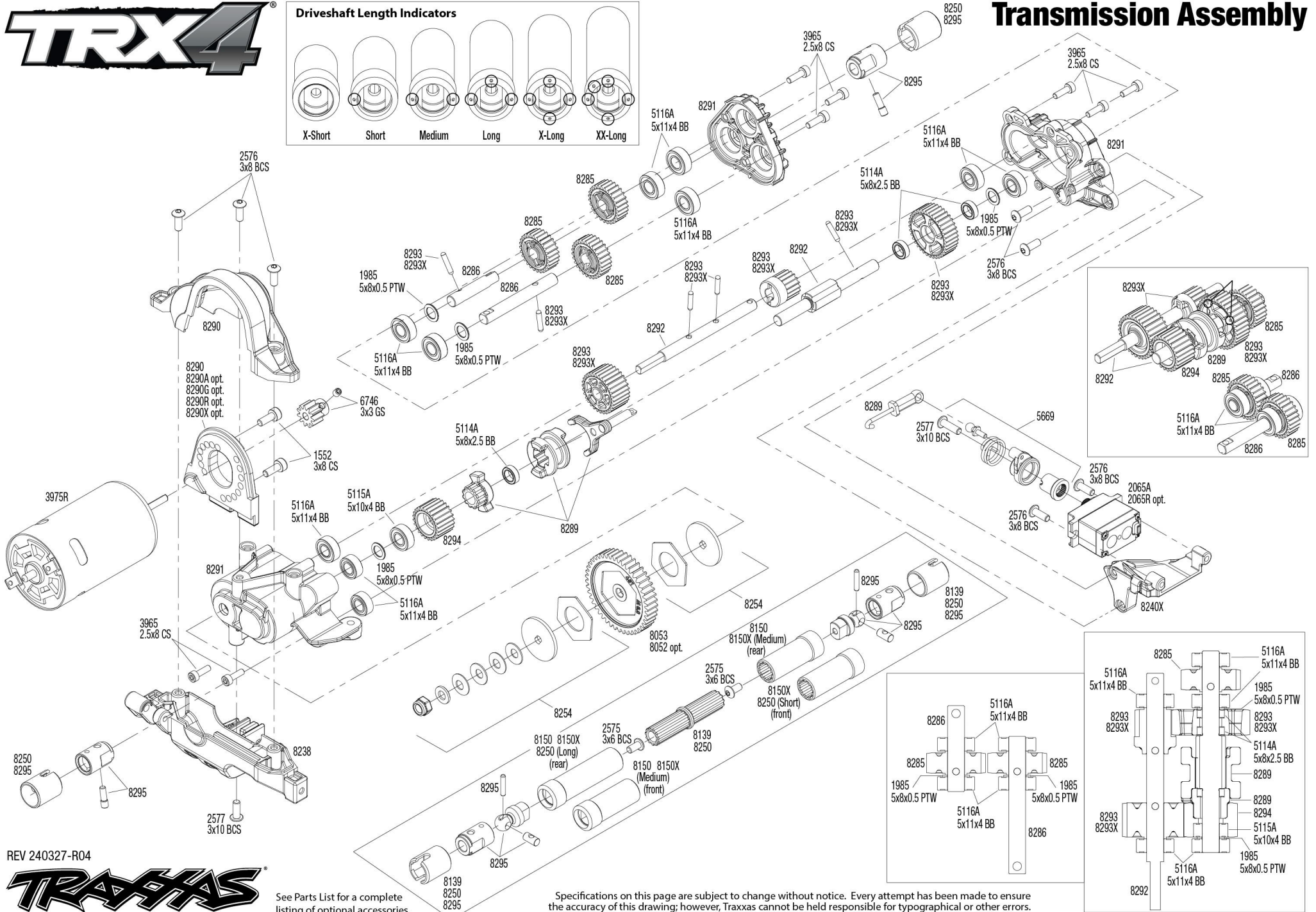
Specifications on this page are subject to change without notice. Every attempt has been made to ensure the accuracy of this drawing; however, Traxxas cannot be held responsible for typographical or other errors.

Shock Assembly





Transmission Assembly



REV 240327-R04



See Parts List for a complete listing of optional accessories.

Specifications on this page are subject to change without notice. Every attempt has been made to ensure the accuracy of this drawing; however, Traxxas cannot be held responsible for typographical or other errors.