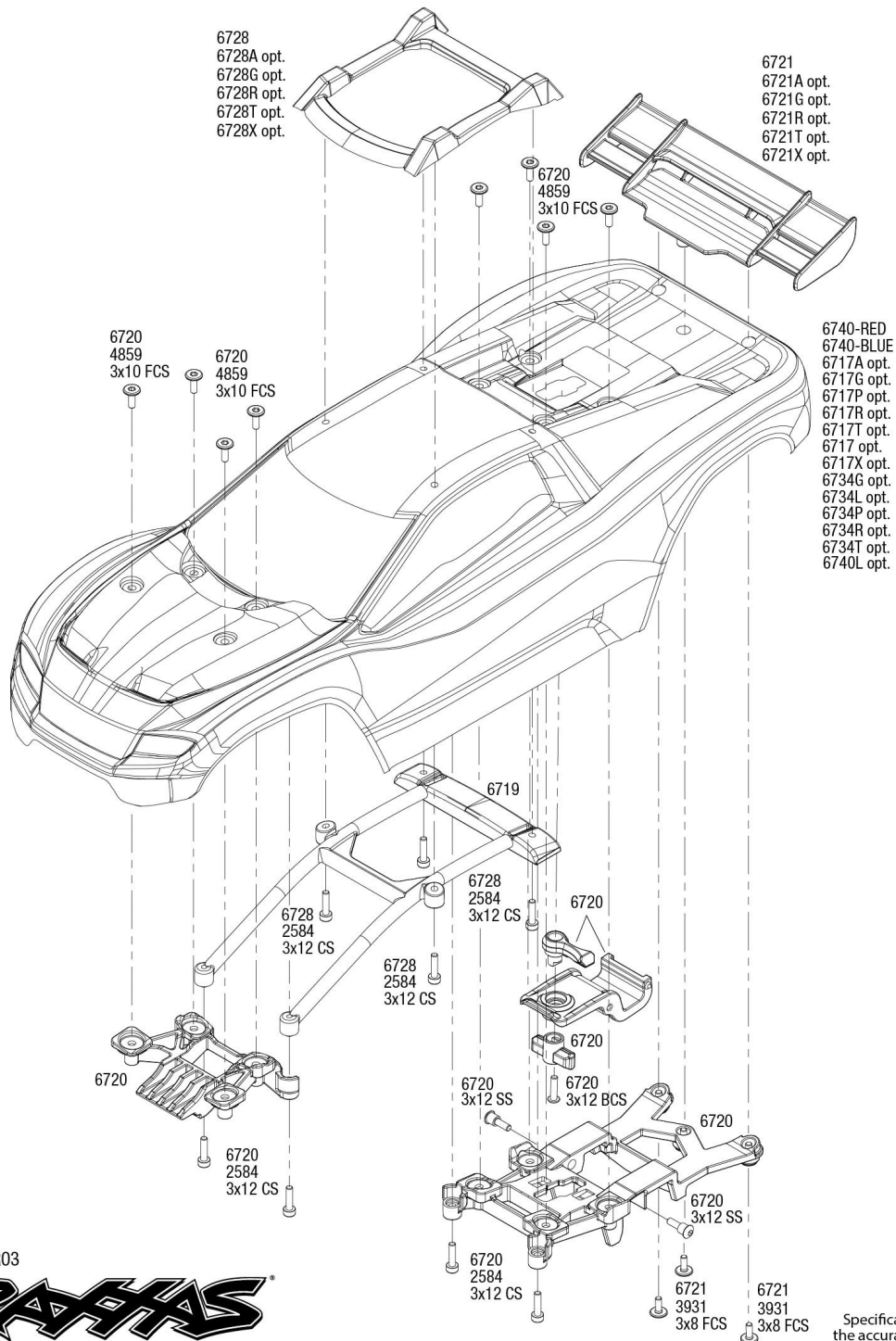
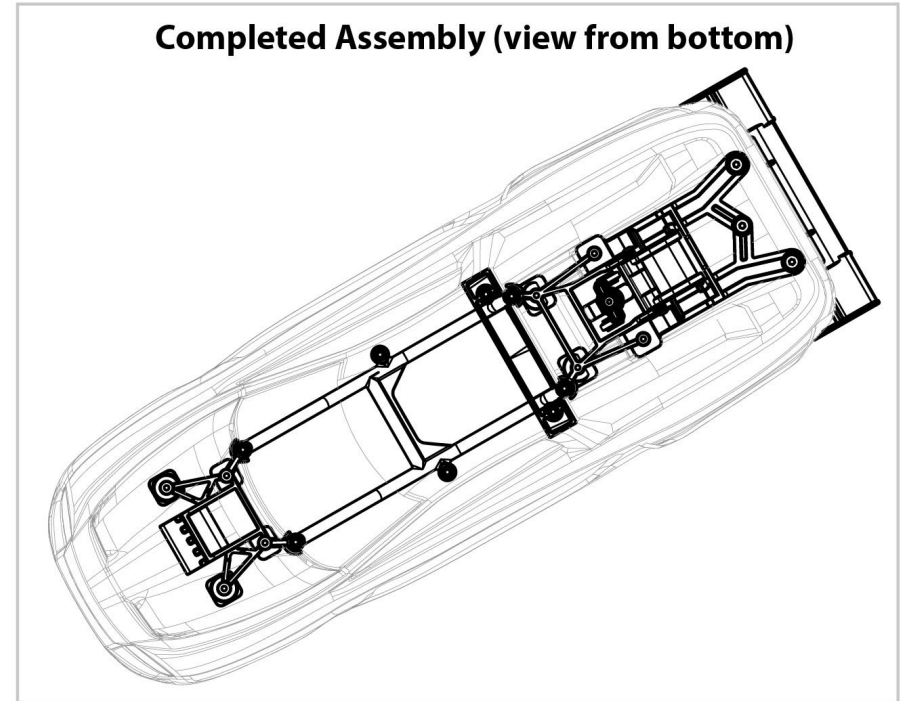


# RUSTLER 4x4 BRUSHLESS

## Body Assembly



**Completed Assembly (view from bottom)**



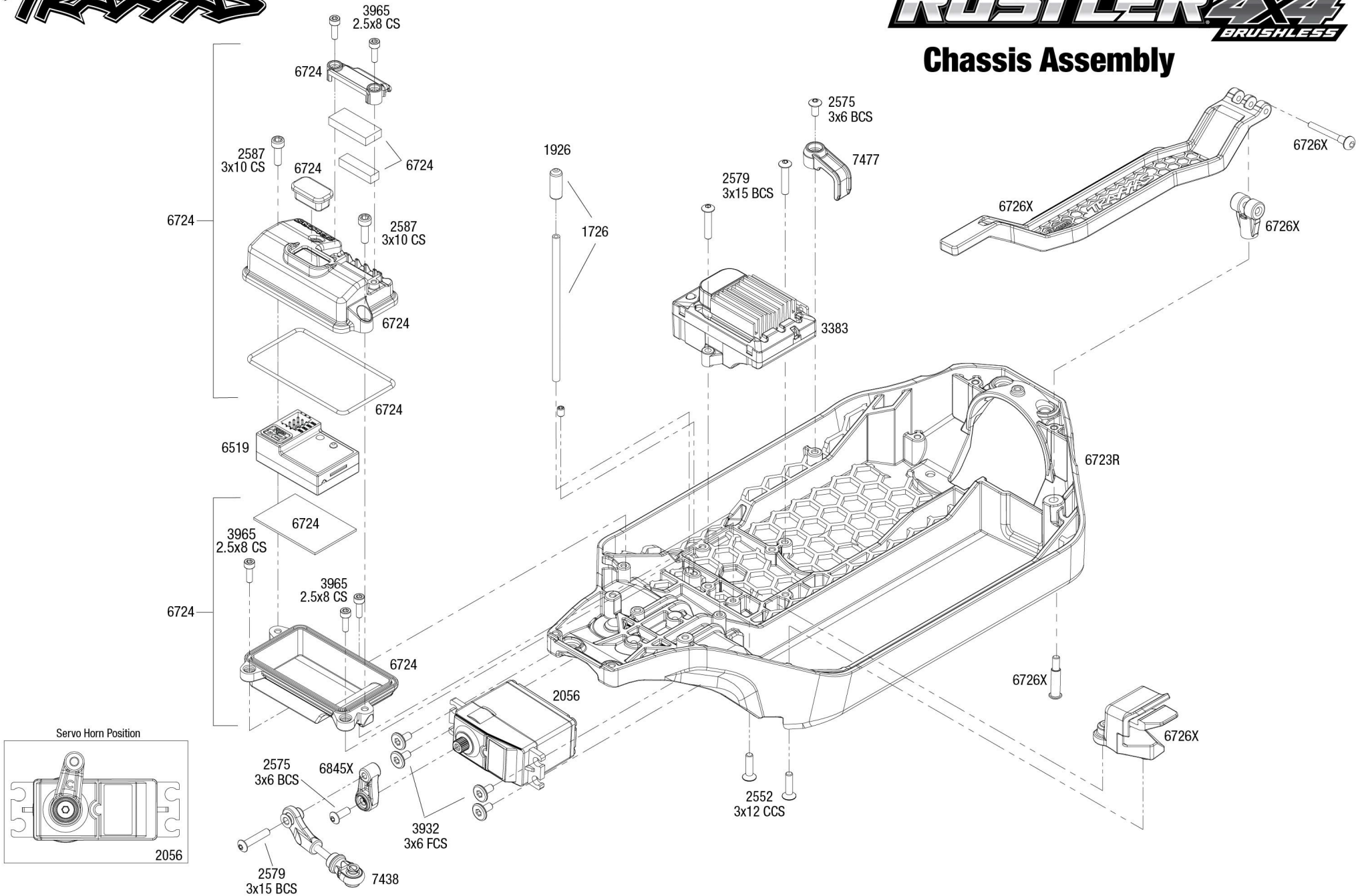
REV 231206-R03

**TRAXXAS**

Specifications on this page are subject to change without notice. Every attempt has been made to ensure the accuracy of this drawing; however, Traxxas cannot be held responsible for typographical or other errors.

See Parts List for a complete listing of optional accessories.

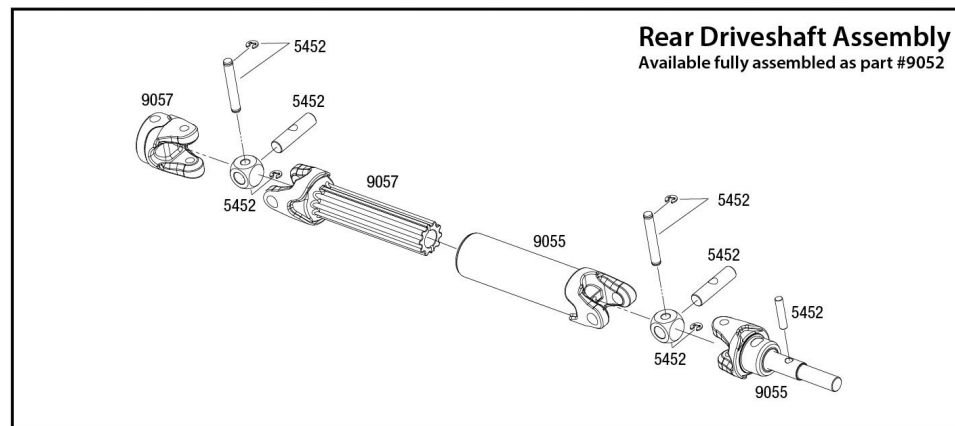
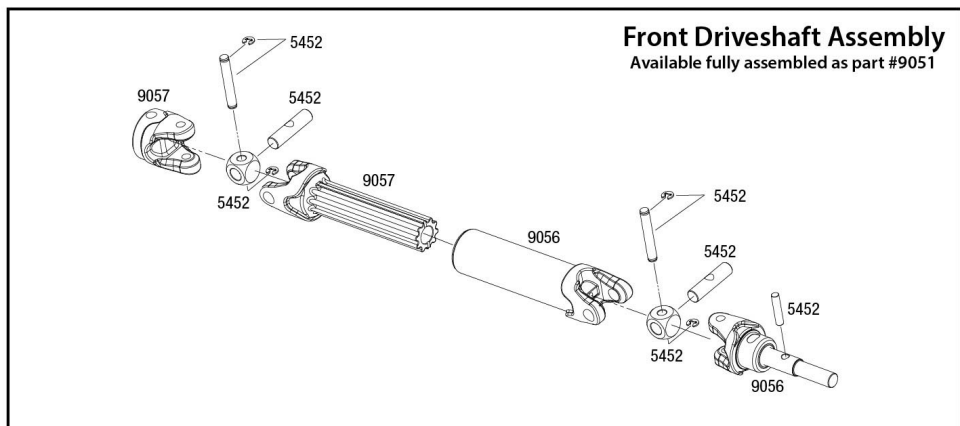
## Chassis Assembly



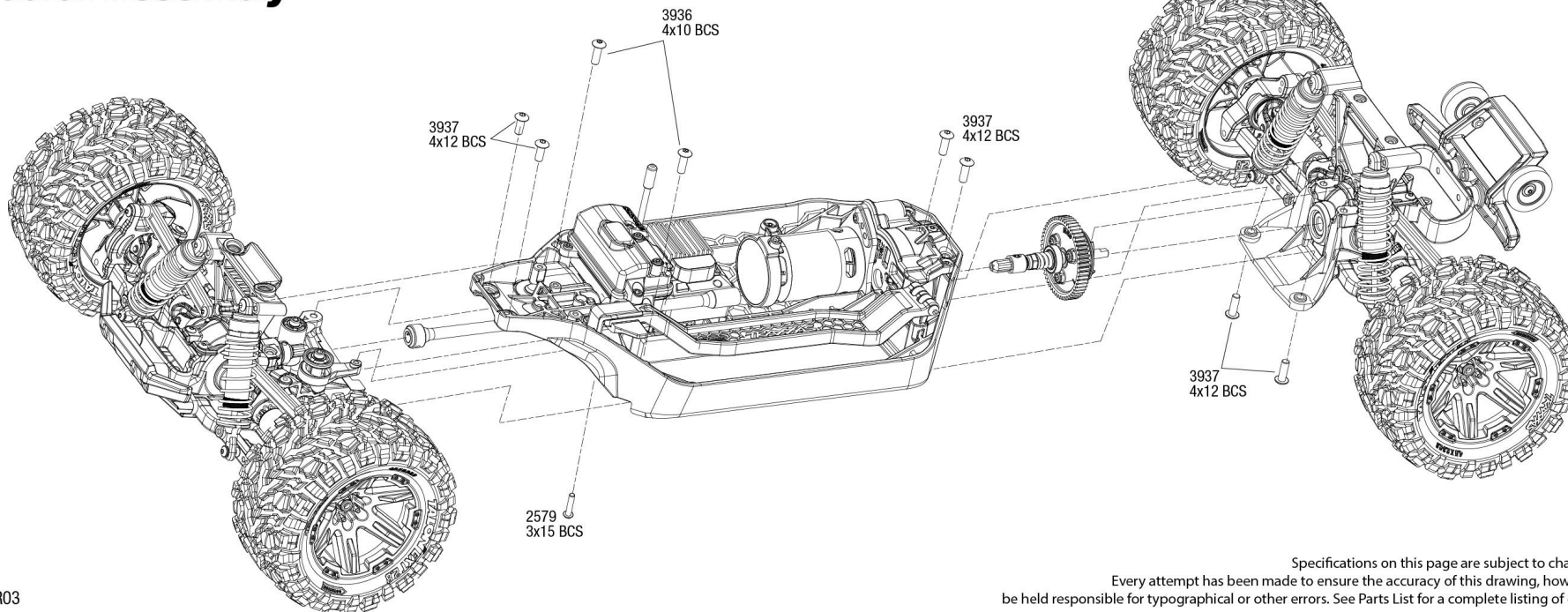
Specifications on this page are subject to change without notice. Every attempt has been made to ensure the accuracy of this drawing; however, Traxxas cannot be held responsible for typographical or other errors.

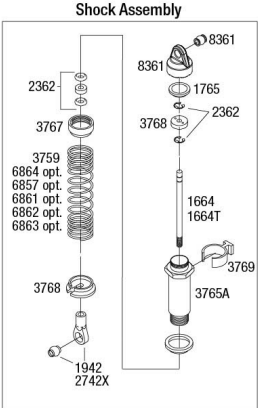
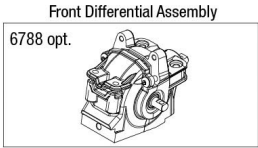
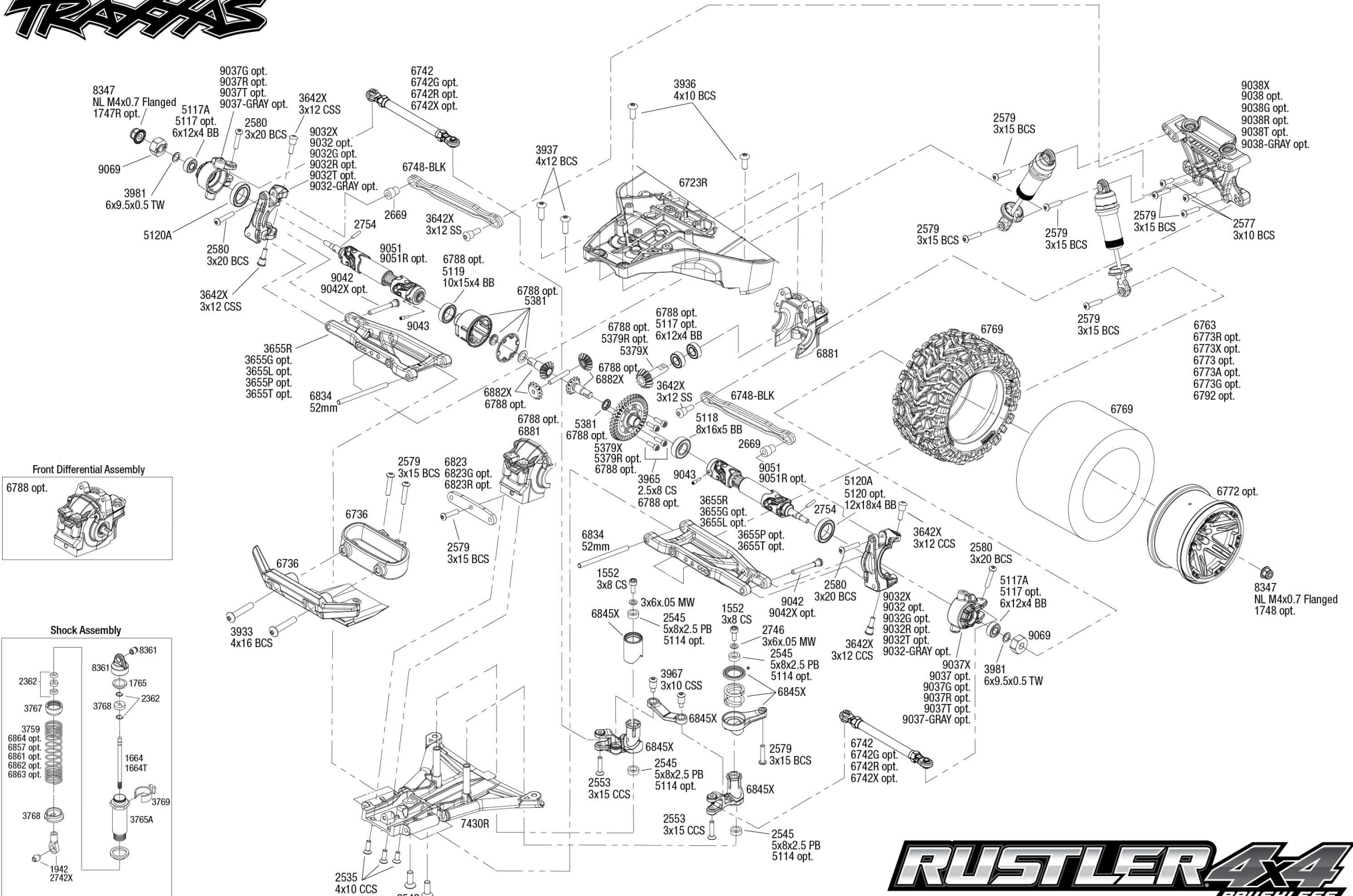
See Parts List for a complete listing of optional accessories.

### Driveshafts



### Modular Assembly



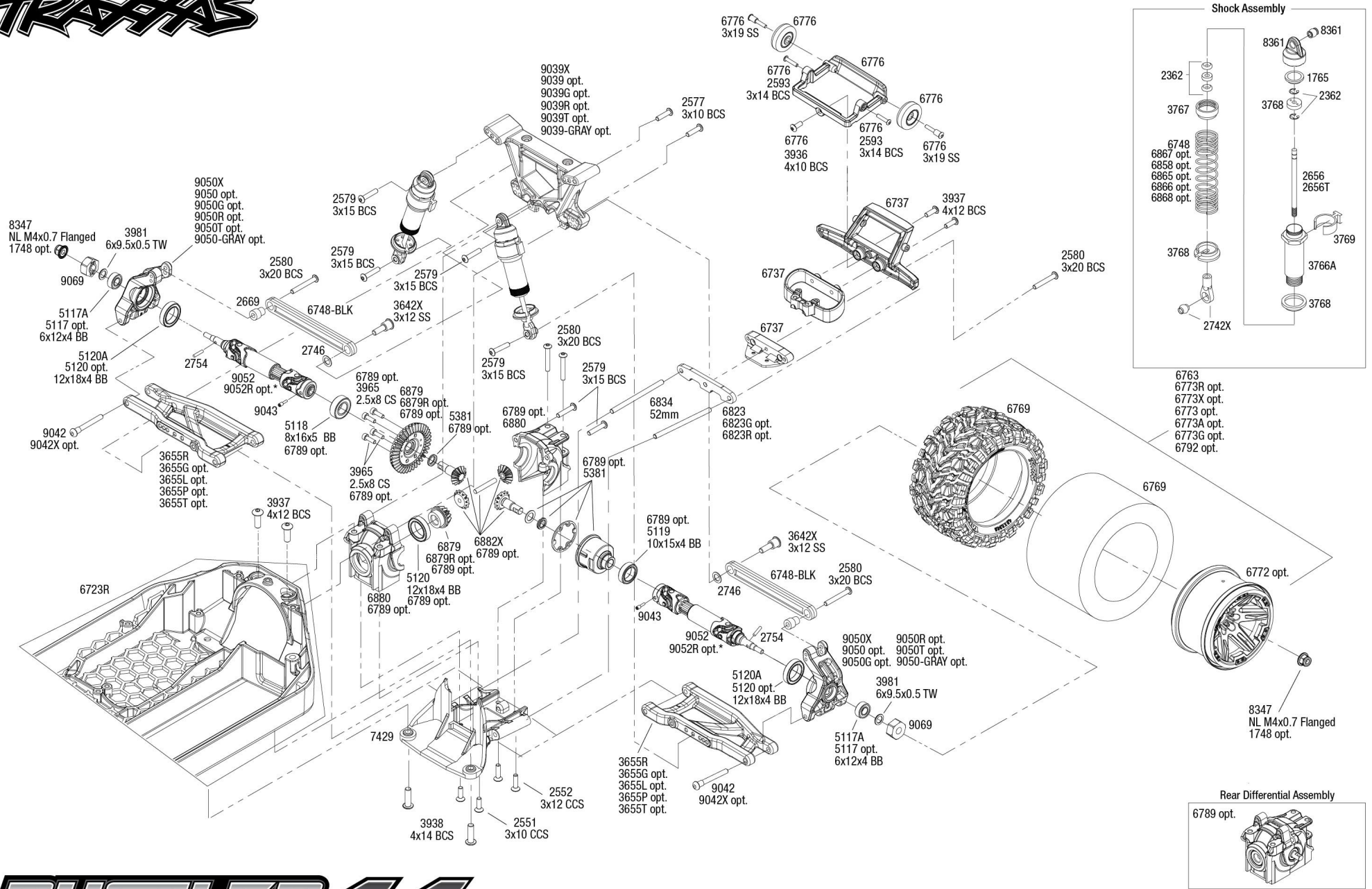


REV 231206-R03  
See Parts List for a complete listing of optional accessories.

Specifications on this page are subject to change without notice. Every attempt has been made to ensure the accuracy of this drawing; however, Traxxas cannot be held responsible for typographical or other errors.



**Front Assembly**



# RUSTLER 4x4 BRUSHLESS

## Rear Assembly

See Parts List for a complete listing of optional accessories.

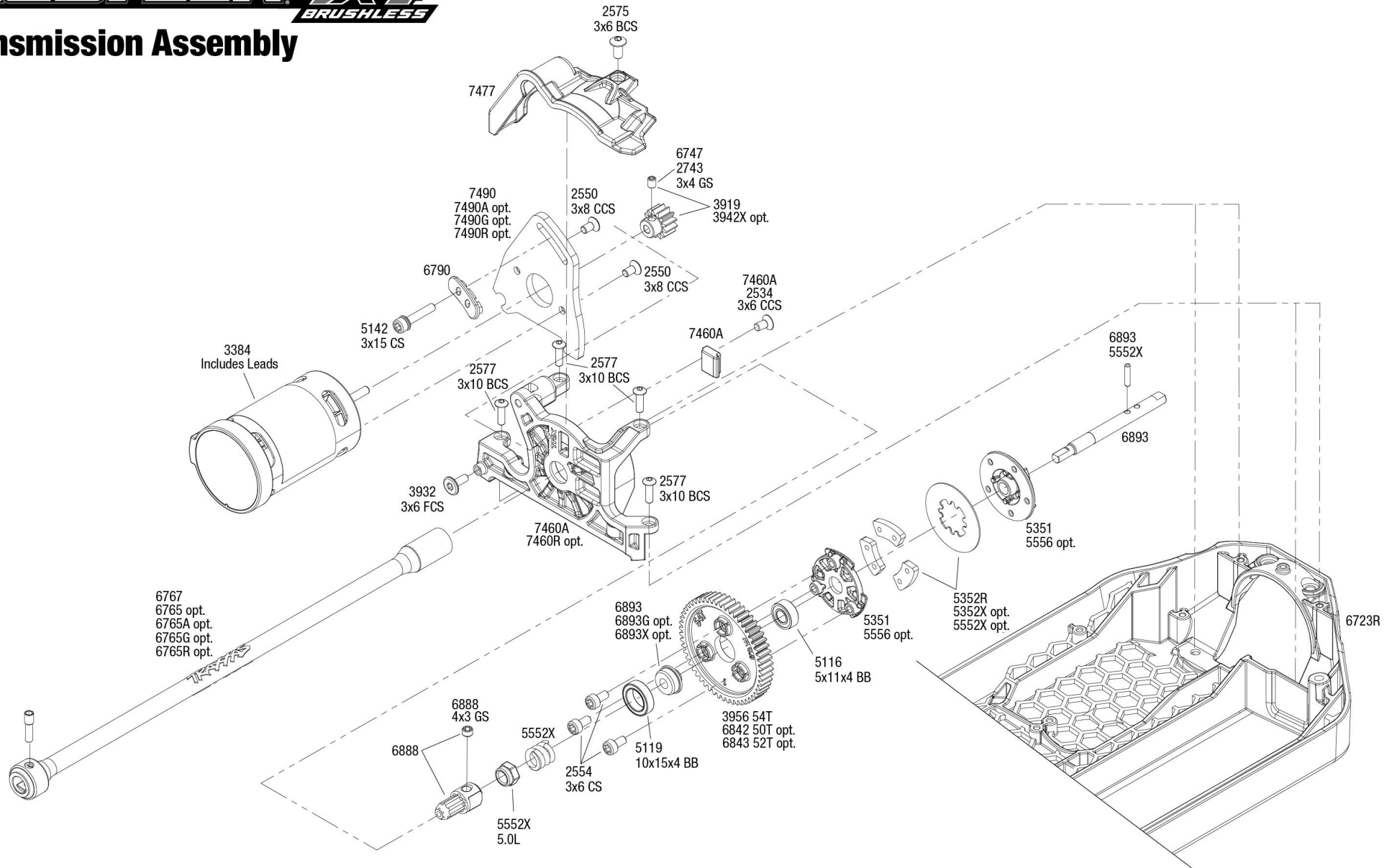
Specifications on this page are subject to change without notice. Every attempt has been made to ensure the accuracy of this drawing; however, Traxxas cannot be held responsible for typographical or other errors.

\*Requires 5117 or 5117A ball bearing for installation.

REV 231206-R03

# RUSTLER 4x4 BRUSHLESS

## Transmission Assembly



See Parts List for a complete listing of optional accessories.

REV 231206-R03  
Specifications on this page are subject to change without notice. Every attempt has been made to ensure the accuracy of this drawing; however, Traxxas cannot be held responsible for typographical or other errors.