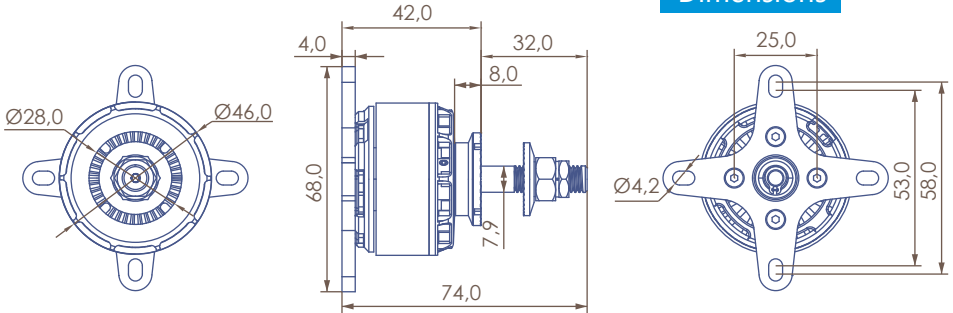


GA800



Dimensions

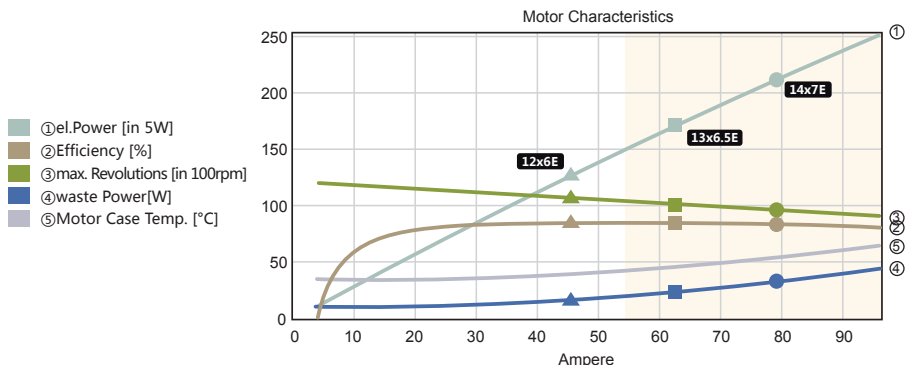


Specification

2nd Generation GA Series	GA800.7	GA800.9 (Special Edition)	GA800.11
SKU(商品编码)	51746	52093	51747
KV(KV值)	850 RPM/V	660 RPM/V	550 RPM/V
Weight (不含配件重量) (含配件重量)		160g (body only), 175g (w/ accessories)	
Outer Diameter(直径)		46mm	
Length w/ mounts (底板至桨平面长度)		42mm	
Length(overall)(长度)		74mm	
Diameter of Shaft(轴径)		5mm (internal) , 8mm (output)	
Mounting holes pitch(安装孔距)		53mm to 58mm (D4.2)	
Slots,Poles(槽数, 极数)		24, 28	
Idle Current(Io) @10V(空载电流)	2.5A	1.75A	1.3A
Resistance(Ri)(电阻)	18.3 mOhm	32.0 mOhm	42.7 mOhm
Nominal Voltage(V)(额定电压)	14.8V, 4S Lipo	18.5V, 5S Lipo	22.2V, 6S Lipo
Peak power[15s](峰值功率)	800W	880W	1000W
Bursts current[15s](峰值电流)	54A	47.5A	42A
Cruising power[8 mins](巡航功率)	400W	440W	500W
Recommended ESC(调速器)		XC406ULT	
Propeller(螺旋桨配置)		12x6 for best efficiency 13x6.5 for pilots performance 14x7 for extreme thrust	
Weight of sports airplane (运动飞机的重量)	Up to 2.0kg	Up to 2.1kg	Up to 2.2kg
Weight of 3D airplane (3D飞机的重量)	1.4 kg to 1.6kg	1.5 kg to 1.7kg	1.5 kg to 1.8kg
Applications(应用)	Designed for .30E class 3D airplane (48"-52" wingspan)	For .30E to .40E class F3A & FAI F2B Electric Powered	For .30E to .40E class 3D airplane (upto 55" wingspan)

GA800.7 (850KV)

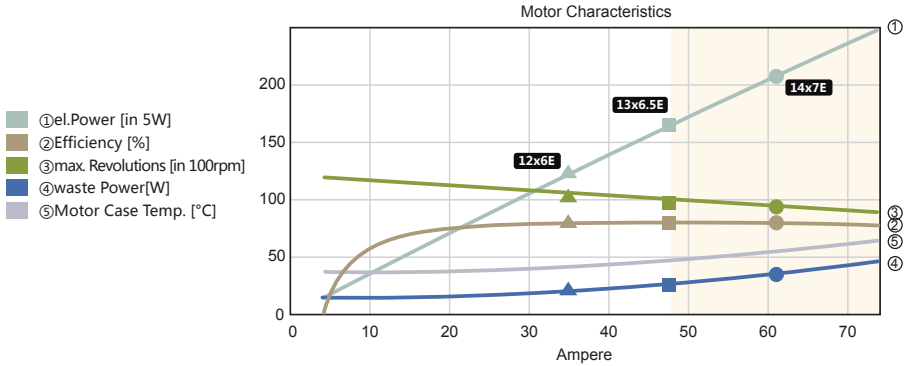
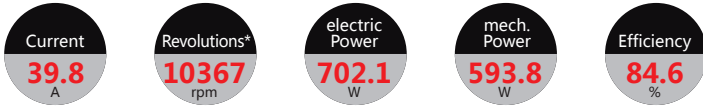
14.8V Motor @ Optimum Efficiency 优化效率点



Voltage (V)	Propeller (RPM)	Throttle (%)	Current (A)	el. Power (W)	Efficiency (%)	Thrust (g)	Spec. Thrust (g/W)
14.8V (4S LIPO)	12X6E						
	6400	56	9.5	139.1	84.6	952	6.8
	7200	63	13.5	195.7	85.6	1205	6.2
	8000	71	18.5	266.6	86.2	1488	5.6
	8800	79	24.6	353.4	86.6	1800	5.1
	9600	87	32.2	457.8	86.7	2143	4.7
	10742	100	46.1	645	86.2	2682	4.2
	13X6.5E						
	6300	56	13.6	197	86.3	1290	6.6
	7000	63	18.7	269	86.7	1593	5.9
	7700	70	25	357.4	86.9	1928	5.4
	8400	78	32.7	464.1	86.9	2294	4.9
	9100	86	42.1	590.8	86.7	2692	4.6
	10234	100	62.1	851.9	85.8	3405	4
	14X7E						
	5600	51	14	203.2	86.2	1389	6.8
	6300	58	20.1	289	86.3	1758	6.1
	7700	74	37.7	530	86	2627	5
	8400	83	49.8	691.1	85.6	3126	4.5
	9100	92	64.7	883.4	85.1	3668	4.2
	9661	100	80.2	1074.6	84.2	4135	3.8

GA800.9 (660KV)

18.5V Motor @ Optimum Efficiency 优化效率点



Voltage (V)	Propeller (RPM)	Throttle (%)	Current (A)	el. Power (W)	Efficiency (%)	Thrust (g)	Spec. Thrust (g/W)
18.5V (5S LIPO)	12X6E						
	5600	50	5.2	96.3	81.8	729	7.6
	6400	57	7.7	141.3	83.3	952	6.7
	8000	73	14.9	271.2	84.7	1488	5.5
	8800	81	19.9	359.7	85	1800	5
	9600	90	26	466.3	85.2	2143	4.6
	10543	100	35	622.1	84.3	2584	4.2
	13X6.5E						
	5600	51	7.7	141.1	84.6	1020	7.2
	6300	58	10.9	199.3	85.3	1290	6.5
	7700	72	20.1	362.2	85.7	1928	5.3
	8400	80	26.3	470.5	85.7	2294	4.9
	9100	88	33.7	599.2	85.5	2692	4.5
	10084	100	47.4	828.7	84.4	3306	4
	14X7E						
	5600	52	11.3	205.2	85.4	1389	6.8
	6300	60	16.1	292	85.5	1758	6
	7000	68	22.3	401.3	85.3	2171	5.4
	7700	76	30.1	536.1	85	2627	4.9
	9100	93	51.4	894.4	84.1	3668	4.1
	9560	100	61.5	1057.3	82.9	4049	3.8

GA800.11 (550KV)

22.2V Motor @ Optimum Efficiency 优化效率点

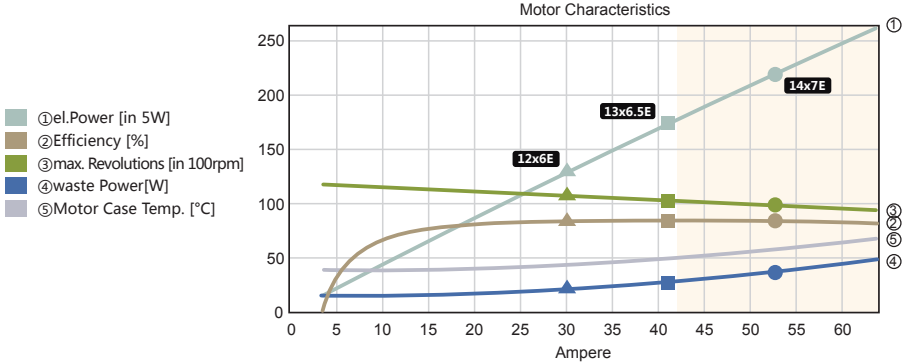
Current
36.8
A

Revolutions*
10388
rpm

electric Power
783.1
W

mech. Power
660.7
W

Efficiency
84.4
%



Voltage (V)	Propeller (RPM)	Throttle (%)	Current (A)	el. Power (W)	Efficiency (%)	Thrust (g)	Spec. Thrust (g/W)
22.2V (6S LIPO)	12X6E						
	5600	50	4.4	96.5	81.7	729	7.6
	6400	57	6.4	141.7	83	952	6.7
	8000	72	12.5	272.3	84.4	1488	5.5
	8800	80	16.6	361.3	84.7	1800	5
	9600	89	21.6	468.4	84.8	2143	4.6
	10655	100	30.1	644.6	83.9	2639	4.1
	13X6.5E						
	5600	51	6.4	141	84.7	1020	7.2
	6300	57	9.1	199.2	85.3	1290	6.5
	7700	72	16.6	362	85.8	1928	5.3
	8400	79	21.7	470.2	85.7	2294	4.9
	9100	87	27.9	598.8	85.6	2692	4.5
	10229	100	40.8	864.7	84.3	3402	3.9
	14X7E						
	5600	52	9.3	204.5	85.7	1389	6.8
	6300	59	13.3	290.9	85.8	1758	6
	7000	67	18.4	399.7	85.6	2171	5.4
	8400	83	32.6	696.1	85	3126	4.5
	9100	91	42.1	889.8	84.5	3668	4.1
	9735	100	53.3	1112.6	83.2	4198	3.8