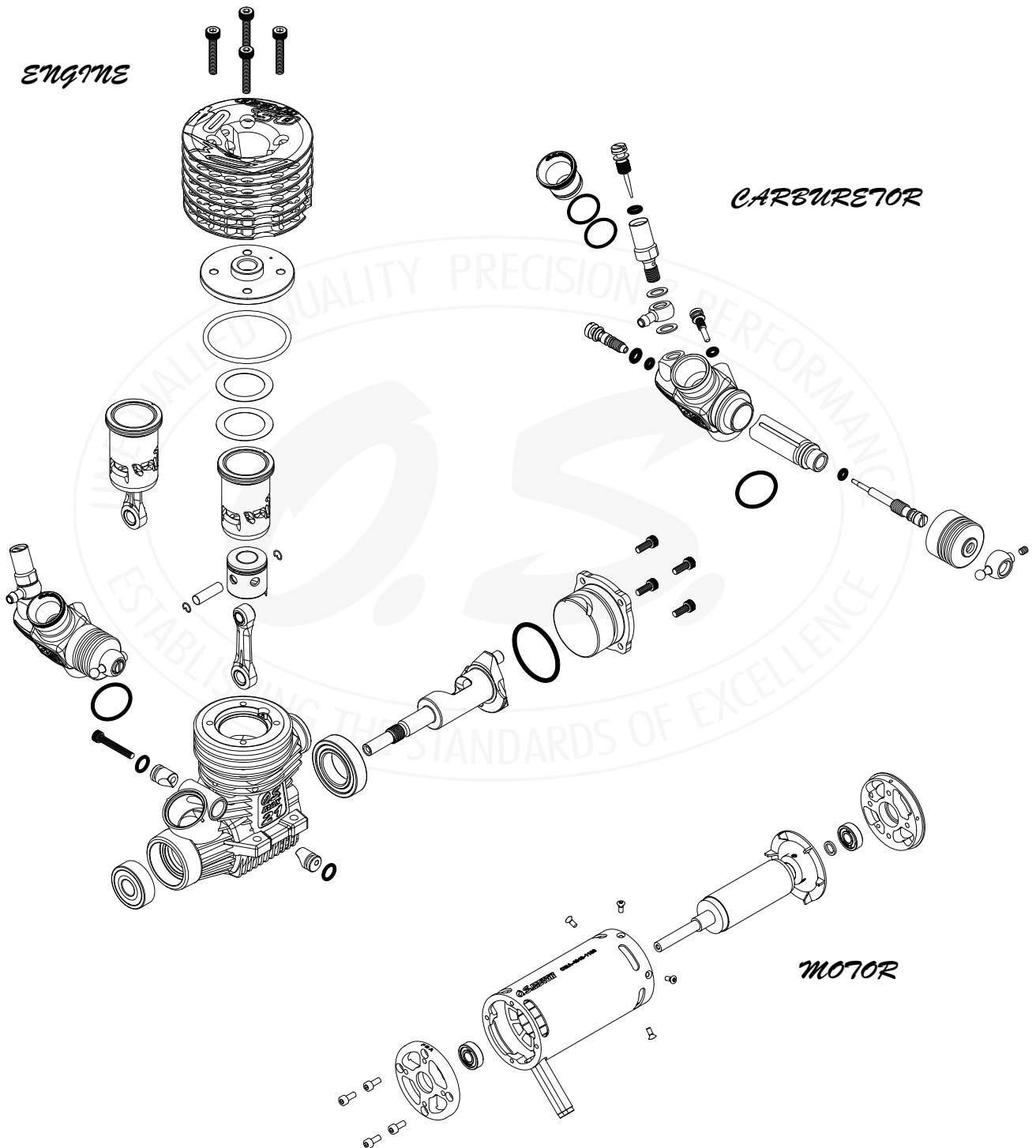
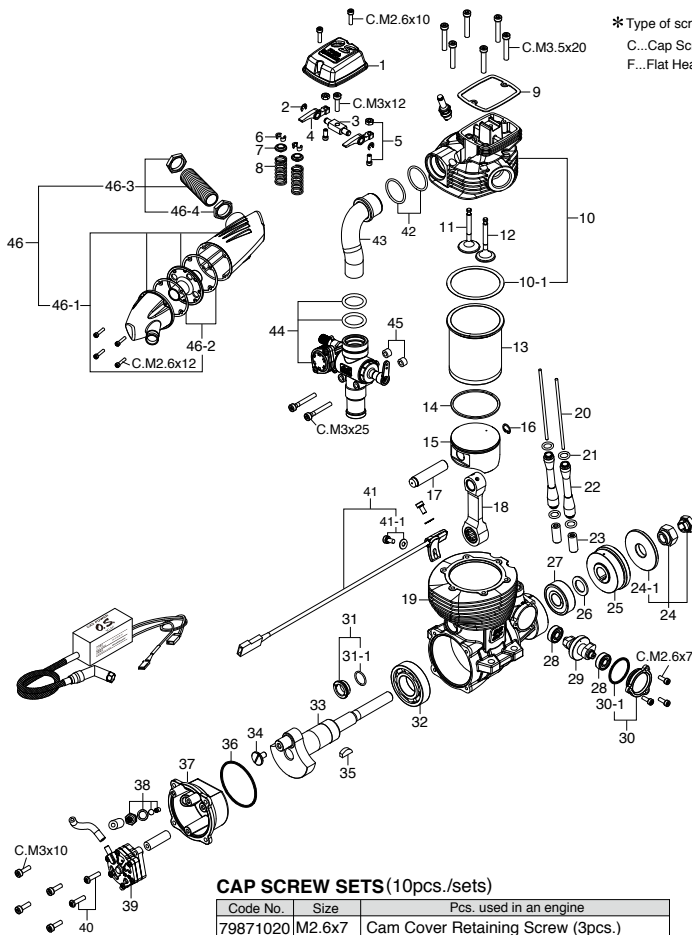


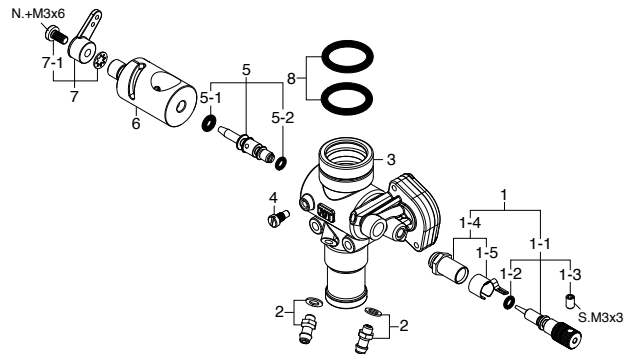
# 2019 EXPLODED VIEWS WITH CODE NUMBERS LIST





\*Type of screw

C...Cap Screw B...Binding Screw M...Oval Fillister-Head Screw  
F...Flat Head Screw T...Tapping Screw N...Round Head Screw S...Set Screw



### CAP SCREW SETS (10pcs./sets)

Code No.	Size	Pcs. used in an engine
79871020	M2.6x7	Cam Cover Retaining Screw (3pcs.)
79871030	M2.6x10	Rocker Cover Retaining Screw (2pcs.)
79871040	M2.6x12	Silencer Assembly Screw (4pcs.)
79871120	M3x10	Cover Plate Retaining Screw (4pcs.)
79871140	M3x12	Rocker Support Retaining Screw (1pc.)
79871250	M3x25	Carburetor Retaining Screw (2pc.)
79871100	M3.5x20	Cylinder Head Retaining Screw (6pcs.)

No.	Code No.	Description
1	28181900	Needle Valve Assembly 61H,70T
1-1	28181970	Needle Assembly 61H,70T
1-2	28181910	"O" Ring (2pcs.) S3
1-3	26381501	Set Screw
1-4	27381940	Needle-valve Holder Assembly 20C,60U,70D,7H
1-5	26711305	Ratchet Spring No.4
2	22681953	Fuel Inlet (Nipple No.1)
3	4A082100	Carburetor Body 70T GF30
4	45581820	Rotor Guide Screw 20C,60MC,70D
5	4A081600	Mixture Control Valve Assembly 70T GF30
5-1	28181920	"O" Ring (L) (2pcs.) P3
5-2	28181910	"O" Ring (S) (2pcs.) S3
6	4A081210	Carburetor Rotor 70T2 GF30II
7	27881400	Throttle Lever Assembly 70N,C14,60F,70D
7-1	22081313	Throttle Lever Retaining Screw 1A-3A
8	4A081500	Carburetor Gasket 70T (2pcs.) P14

No.	Code No.	Description
1	4A004200	Rocker Cover GF30
2	45761600	Rocker Arm Retainer (2pcs./1pair) FS26S-120S,70U
3	49464000	Rocker Support GF30-40
4	42561100	Rocker Arm (1pc.) FSa155,GF30
5	44561200	Tappet Adjusting Screw (1pair) FS200S,GF30
6	45560410	Split Cotter (2pcs./1pair) FS120S3,SE,GF30
7	49460400	Valve Spring Retainer (1pc.) GF30-40
8	49460200	Valve Spring (1pc.) GF30-40
9	44514300	Rocker Cover Gasket FS200S,GF30
10	4A004100	Cylinder Head (W/Gasket) GF30
10-1	44514100	Head Gasket (2pc.) FS200S,FI,GF30
11	49460100	Intake Valve (1pc.) GF30-40
12	49460110	Exhaust Valve (1pc.) GF30-40
13	4A003100	Cylinder Liner GF30
14	44503400	Piston Ring FS200S,GF30
15	4A003200	Piston GF30
16	28317000	Piston Pin Retainer (2pcs.) GT33,22,GF30
17	4A006000	Piston Pin GF30
18	4A005000	Connecting Rod GF30
19	4A001000	Crankcase GF30
20	4A066000	Push Rod (2pcs.) GF30
21	45566310	Push Rod Cover "O" Ring (2pcs.) S5
22	49466100	Push Rod Cover (1pc.) GF30-40
23	44564000	Cam Follower (2pcs.) FS200S,GF30
24	28310000	Lock Nut Set GT33,GF30
24-1	28309000	Propeller Washer GT33,GF30
25	4A008000	Drive Hub GF30
26	45520000	Thrust Washer FS120S,S2,SE,SP
27	29431000	Crankshaft Ball Bearing (Front) 140RX

No.	Code No.	Description
28	45231100	Camshaft Bearing (1pc.) FS40-120S
29	44562000	Camshaft FS200S,GF30
30	44501100	Cam Cover FS200S,GF30
30-1	44501110	"O" Ring (S16) FS200S,GF30
31	29701300	Crankcase Plug GT55,33,22,GF30
31-1	29701310	"O" Ring (SS-10.5)
32	29030001	Crankshaft Ball Bearing (Rear) 61-91F,FX,FR
33	4A002000	Crankshaft GF30
34	28152100	Crank Pin Stop Screw GT22,GF30
35	45508200	Woodruff Key FS120S3,SE,SP
36	29061410	Cover Gasket FS200S,91SZ,RZ,GF30
37	4A007010	Cover Plate GF30II
38	49407010	PCV Valve Set GF30-40
39	72508200	Pump Unit PD-09 GF30II
40	79871702	Pan Head Screw (N.+M3x12 10pcs.)
41	74002320	Rotation Sensor GT60,33,22,GF30
41-1	74002321	Rotation Sensor Retaining Screw Set (2pcs.) GT60,33,22
42	4A014110	Intake Manifold Gasket (2pcs.) (S18)
43	4A069400	Intake Manifold GF30
44	4A082010	Carburetor Complete (Type 70T2) GF30II
45	4A069460	Thermo Insulator (2pcs.) GF30
46	49425000	F-6040 Silencer Assembly GF30-40
46-1	49425100	Silencer Body GF30-40
46-2	44525110	Silencer Gasket (2pcs.) F-6010
46-3	44525200	Exhaust Header Pipe Assembly FS200,GF30
46-4	44525210	Exhaust Header Pipe Nut M16 (1pc.) FS200,GF30
	74002811	Ignition Module (IG-07) GF30
	71669020	Spark Plug 1/4-32 (Rcexl) GF30,GF30II